



CIVILS

Surface water drainage systems
for civil projects

Version 1.7.4

Our benefit with HAURATON:

„The selection of a surface drainage system is an important consideration on most infrastructure projects.

Here you can count 100 % on several decades of **HAURATON** experience in manufacturing reliable and durable systems.“





Customer benefits

How you profit from HAURATON.

4



FASERFIX SUPER

Drainage channels for extreme loads and high dynamic forces.

10



FASERFIX KS

Stable and efficient drainage channels for commercial and public sectors.

56



FASERFIX BIG SLG

Linear drainage with ductile iron channel edge plates for highest wear resistance.

110



FASERFIX BIG BL

Linear drainage with concrete stretcher for maximum stability under heavy loads.

140



RECYFIX PLUS X

Drainage channels with a protective edge for areas with higher traffic flows.

168



RECYFIX NC

Highly stable and lightweight - linear drainage made of PP for civils engineering.

186



RECYFIX MONOTEC

Drainage system for traffic, parking and commercial areas.

214



RECYFIX HICAP F

High capacity drainage system for the highest load category.

234



FASERFIX POINT KS

Durable point drainage for public and commercial areas.

274



SERVICE CHANNEL

Accessible, floor-mounted system for temporary or permanent organisation and management of supply and information cables.

282

„During the design and planning process the HAURATON Sales Team provides me with extensive support. This saves time and ensures that all environmental standards are met.“

My benefit as an Architect with HAURATON:



individual design support



meet all required standards



My benefit:
Security



Security in planning

HAURATON provides architects with the greatest possible planning security. Our products and processes are continually monitored and are subject to strict quality requirements.

Standards, approvals and warranty

- Channels certified to DIN EN 1433
- Test certificates from internationally recognised institutions
- CE-marking
- Quality certification in accordance to DIN EN ISO 9001:2008

Declaration of Performance (DoP) No. 104
 according to CPR = Construction Products Regulation 305/2011/EU (CPR=Construction Products Regulation) 305/2011/EU

1. Product type	FASETEK SUPER 100 Drainage channels made from concrete 150x M
2. according current product overview	product range overview on www.hauraton.com
3. Types	FASETEK SUPER 100 L 500/1000mm, W 190mm, H 190 - 285mm
4. Intended use	Flats and driveways of surface water in areas for pedestrians and/or footpaths etc.
5. Manufacturer	HAURATON GmbH & Co. KG Merkwälder 13 78437 Isenhardt / GERMANY Tel.: +49 7202 268-0
6. Representative	not relevant
7. System for assessment and verification of CPD	3
8. Notified body (who made the initial test of the product and issued a test report)	Material-Testing-Institut (MTI) at the Institute for solid construction and building material technology at the University in Karlsruhe, registration no. 0254
9. Declared performance of the construction according to the harmonised technical specification	EN 1433:2002 + AC:2004 + A1:2005

Essential characteristics	Performance
Water tightness (connection of elements)	tested
Carrying capacity	up to class F 500 acc. point 1
Performance under load	not relevant (because channels are not covers or gratings according to EN 1433)
Stability	Level 0, construction according to EN 1433
Levels for consistently deployed with weather effects	For channels made out of concrete approved for increased traffic against frost and road salt: tested: not according

10. Legally binding declaration and signature
 No. 9. The manufacturer is responsible for issuing this declaration of performance in accordance with No. 4.
 Signed on behalf of the manufacturer and in the name of the manufacturer:

 Marcus Reuter
 Geschäftsführer



„With a reliable hydraulic calculation supplied by HAURATON in that vital preplanning stage, I can be sure the proposed drainage scheme will work correctly.“

My benefit as a Civil Engineer with HAURATON:



stable and durable channels



professional hydraulic calculation



My benefit:

Security



Security in the hydraulic calculations

HAURATON supports Civil Engineers and Planners

by providing layouts and hydraulic calculations for their surface water drainage schemes.

Hydraulic

- hydraulic calculation free of charge
- specially developed calculation programme
(In cooperation with the University of Prague)



„On any construction site, time is money. In my opinion HAURATON drainage channels are very resistant to on-site damage. In addition, the HAURATON SIDE-LOCK boltless locking system usually saves me hours of work installing gratings.“

My benefit as a Contractor with HAURATON:



tough channels and gratings



SIDE-LOCK grating system



My benefit:
Cost saving



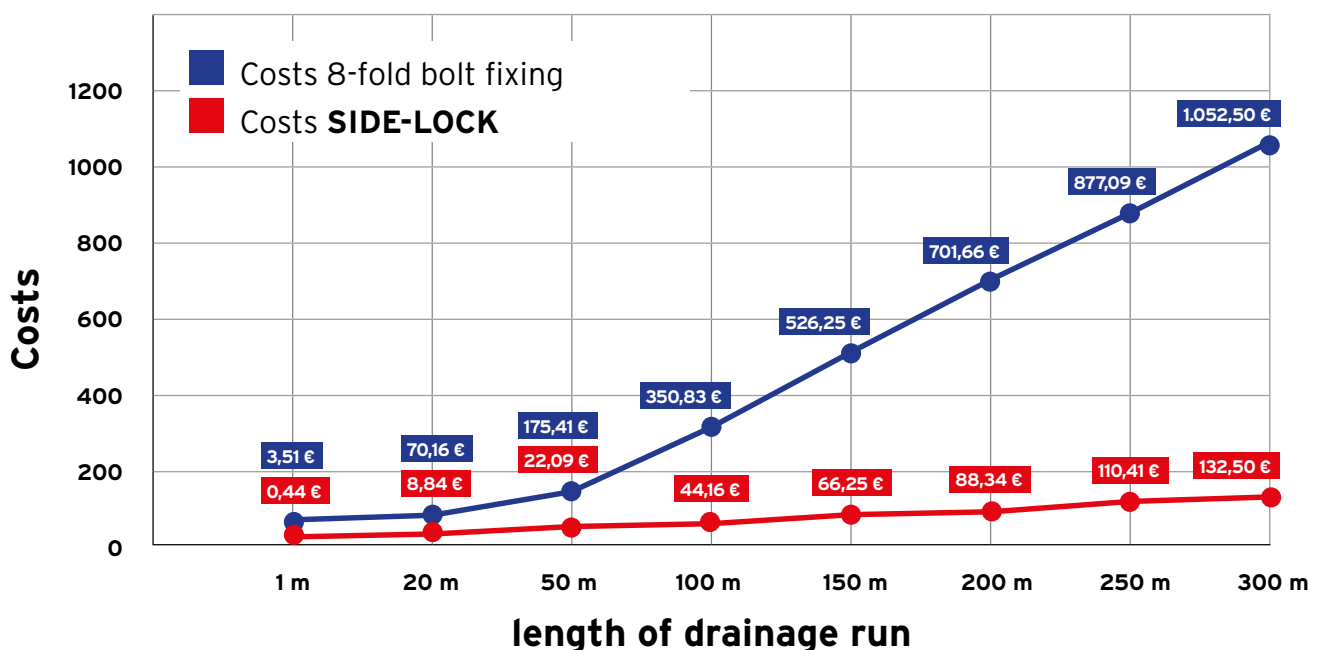
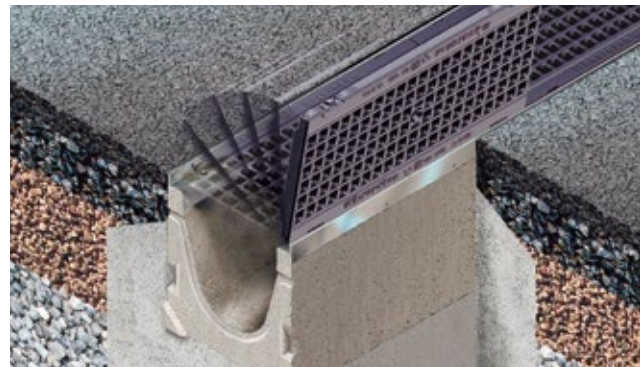
Practical test **SIDE-LOCK** - top efficiency is achieved with the boltless locking system

We measured the required time for the installation and replacement of the grating with the boltless locking system **SIDE-LOCK** against a conventional system with 8-bolt fastening per metre.

The results:

- Duration of the process with **SIDE-LOCK**: 30 seconds
- Duration with a 8-fold bolt fixing grating: 4 minutes and 12 seconds
- The result is a time-saving of 3 minutes and 42 seconds per linear metre when using **SIDE-LOCK**.

The diagram shows this huge difference, which becomes even more obvious when you multiply the time factor with an hourly rate of 40,00 €.



Here you can find the movie **SIDE-LOCK**:

or visit www.hauraton.com



FASERFIX SUPER

Drainage channels for extreme loads and high dynamic forces.



**Racetrack
„Sochi Autodrom“**



FASERFIX SUPER

Drainage channels for extreme loads and high dynamic forces.

1 Requirements

Drainage channels in heavy traffic areas must

- withstand to extreme loads and high dynamic forces.
- be particularly stable to ensure a long-term security.
- be resistant to environmental influences. (frost, heat, moisture)

2 Application areas

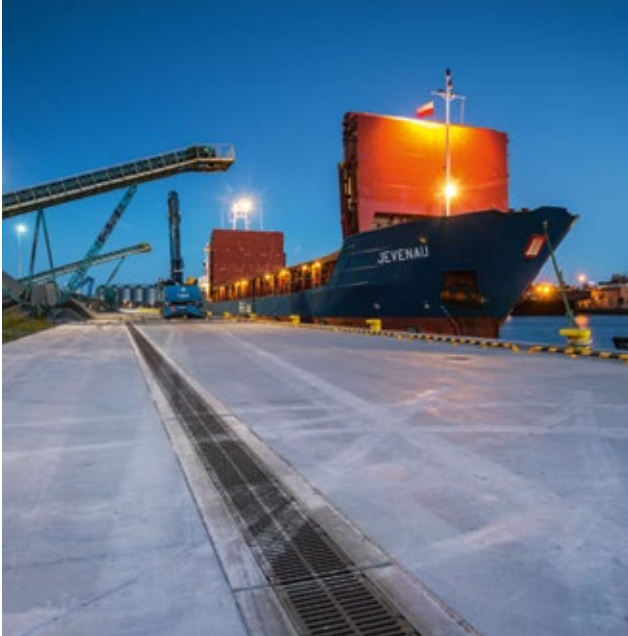
- traffic areas for industry
- container terminals and ports
- roads and tunnels
- petrol stations and service areas
- airports

3 Solutions

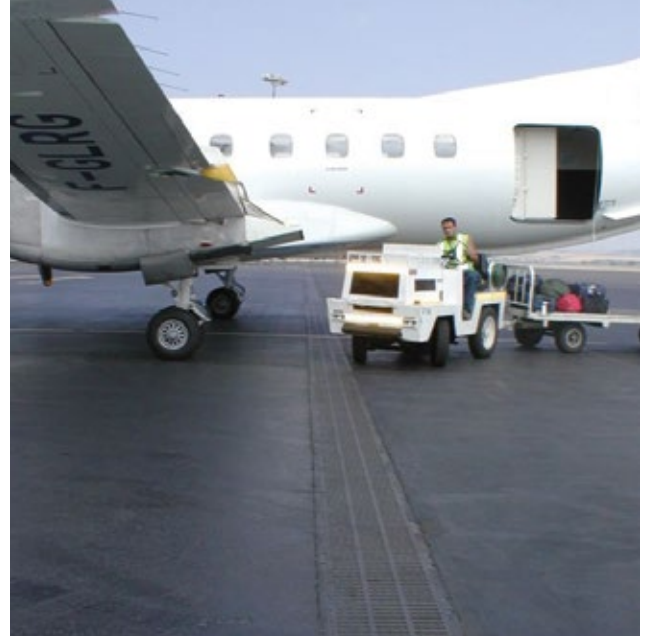
Therefore FASERFIX SUPER channels offer solutions for any type of application in heavy duty traffic areas:

- large channels made from fibre-reinforced concrete
- corrosion-proof galvanised steel angle housing
- gratings up to class F 900 in accordance with DIN EN 1433
- grating securely located in 40 mm deep angle housings
- nominal sizes from 100 to 500 mm each in different heights
- boltless locking system SIDE-LOCK with additional eight bolt fixing per metre is possible
- safety joint for easy sealing





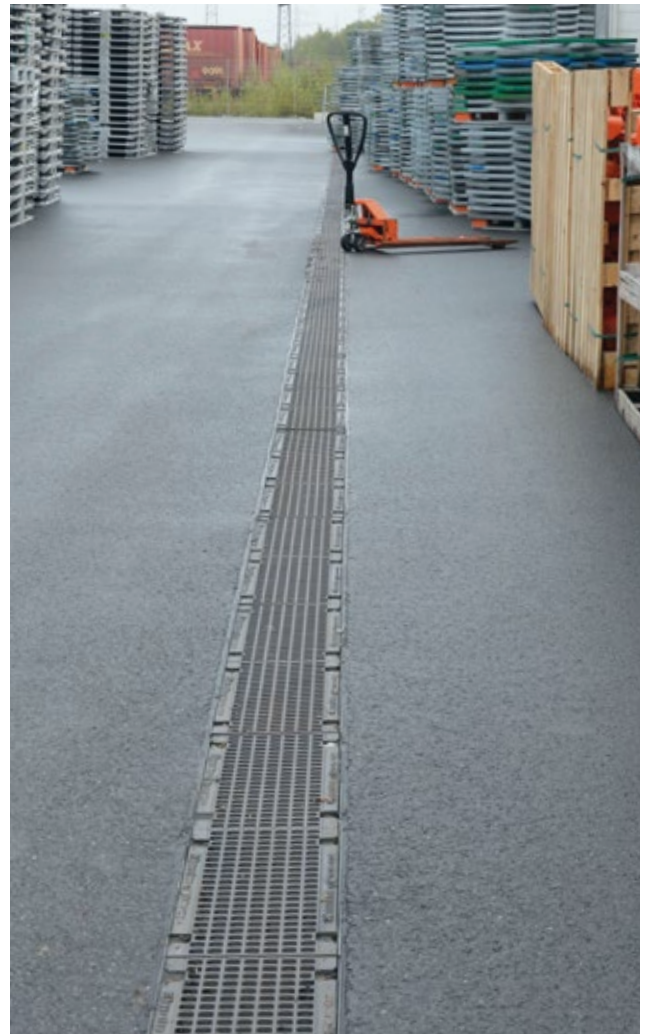
Port in Gdansk, Poland



Airport Aulnat, France



Container terminal and port, Latvia



Traffic area for industry, Germany

FASERFIX®SUPER
FASERFIX®KS
FASERFIX®BIG SLG
FASERFIX®BIG BL
RECYFIX®PLUS X
RECYFIX®NC
RECYFIX®MONOTEC
RECYFIX®HICAP®F
FASERFIX®POINT KS
SERVICE CHANNEL

FASERFIX SUPER

Drainage channels for extreme loads and high dynamic forces.

Maximum security through reliable drainage systems for „Sochi Autodrome“ racetrack.

FASERFIX SUPER channels withstand high dynamic forces and extreme conditions as was demonstrated at the „Grand Prix of Russia“ on the racetrack in Sochi. The 4,400 m of built-in FASERFIX channels offer the racers a high level of security during the Grand Prix. The track also runs through the Olympic Park and was designed by German racetrack expert Hermann Tilke. The project management team from HAURATON and Tilke implemented the surface drainage together.



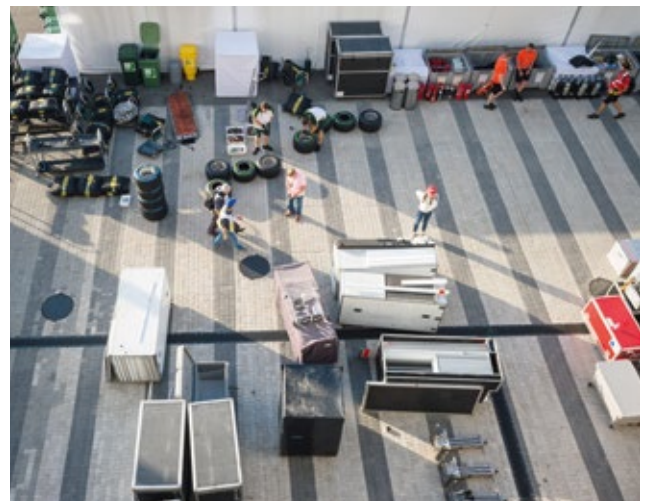
Particularly high demands:

- extreme loads on drainage channels due to suction effects of cars with maximum speeds over 300 km/h
- additional high loads by trucks and forklifts in the paddock, pit-lane and service areas
- exact installation of +/- 2 mm required
- problematic construction traffic resulted in requiring extremely high lateral stability of the channels
- upwardly open T and cross connections, so that the channels in the paddock can additionally be used as a cable channel
- installation of asphalt and paving construction directly to the channel corresponding to class D 400

Drainage channels:

- 2,225 m FASERFIX SUPER channels (in racetrack area, T16-T18), over 2,100 m FASERFIX SUPER 150 and 200 (paddock area) and RECYFIX 150 with slotted cover (racetrack, T16-T18)
- channels were installed with customized special components





FASERFIX®SUPER
FASERFIX®KS
FASERFIX®BIG SLG
FASERFIX®BIG BL
RECYFIX®PLUS X
RECYFIX®NC
RECYFIX®MONOTEC
RECYFIX®HICAP®F
FASERFIX®POINT KS
SERVICE CHANNEL

YOUR BENEFITS WITH **FASERFIX SUPER**

HIGH PERFORMANCE ANGLE HOUSING AND SIDE-LOCK

- 40 mm x 40 mm angle housing and inlaying grating
- extremely stable connection between steel angle housing and concrete channel body
- 16 fixing points for gratings per metre (incl. 8 times with optional bolting)
- extra protection against lateral movement
- 90 % time savings in fixing the grating with **SIDE-LOCK** (compared to a conventional fixing)
- replace and insert the grating without any special tool (if unbolted), a screwdriver is enough

= **QUALITY ASSURED & COST SAVINGS**



HIGH-TECH MATERIAL

- „Made in Germany“
- maximum stability through fibre - reinforced concrete (polypropylene fibres) with low weight
- adheres well to foundation concrete (same coefficient with regard to thermal expansion)
- installation without grating possible
- fire resistance class A1 (not flammable) according to DIN 4102

= **QUALITY- & PERFORMANCE ASSURED**



HIGH STABILITY

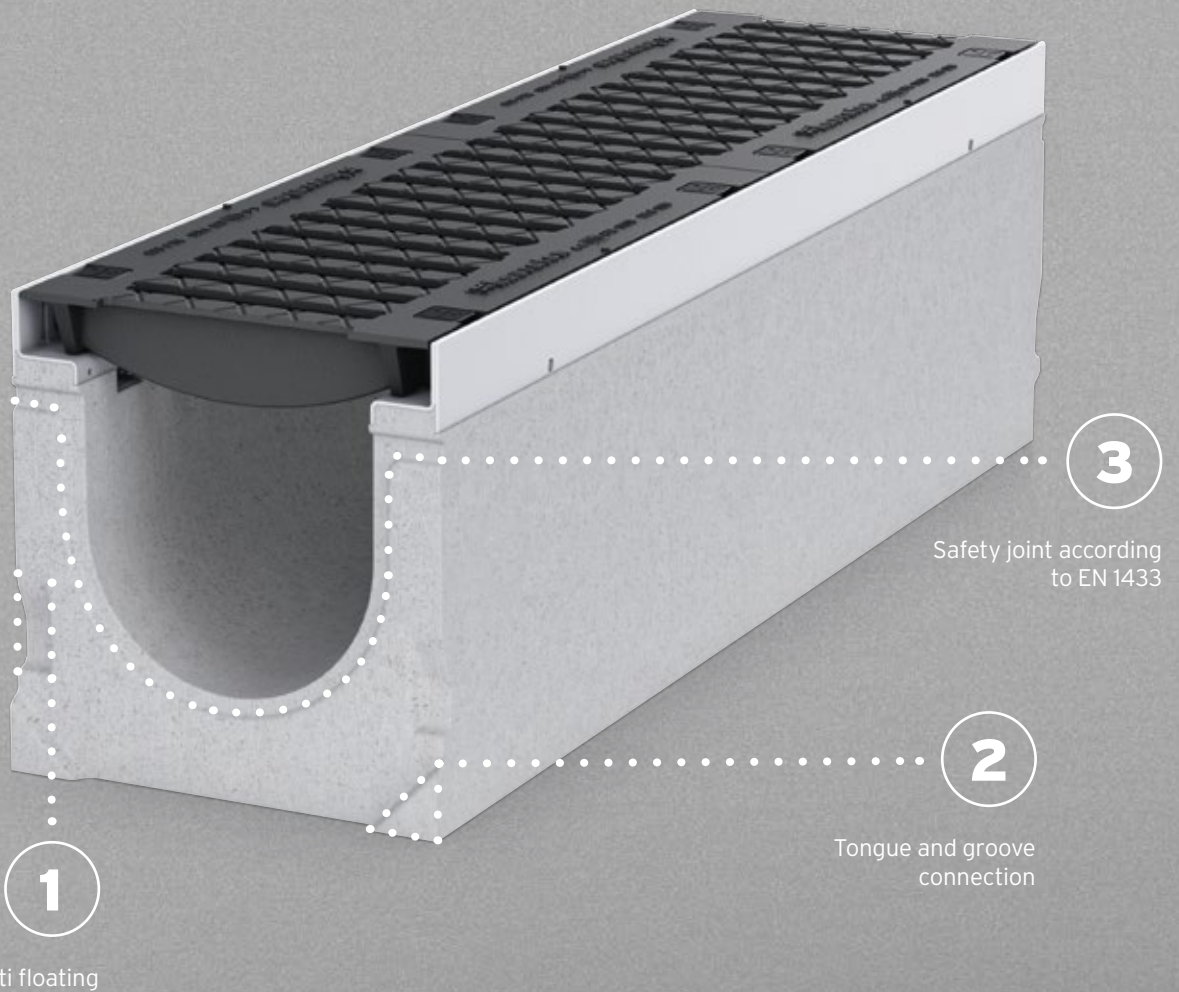
- maximum lateral stability through extra thick walls compared to many competitors' products for additional security in extreme situations
- installation for asphalted surface up to class E 600 without concrete stretcher

= **PERFORMANCE ASSURED**



IDEAL FOR ...


applications with heavy loads and high dynamic forces up to class F 900, such as traffic areas for industry, roads and petrol stations.





FASERFIX SUPER


Drainage channels for extreme loads and high dynamic forces.


FASERFIX SUPER channels meet the requirements of DIN EN 1433 and are suitable for the following load categories:


-  **Category A 15,**
Load class 15 kN

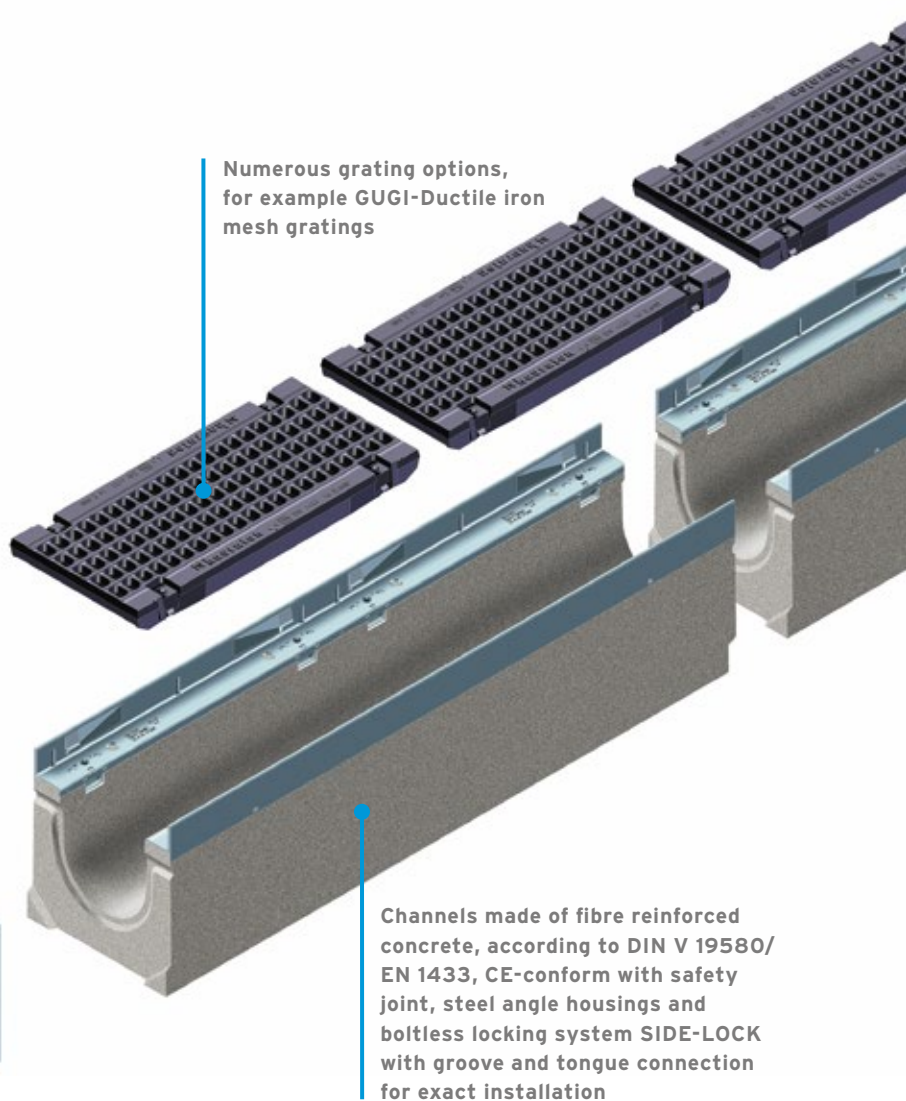
-  **Category B 125,**
Load class 125 kN

-  **Category C 250,**
Load class 250 kN

-  **Category D 400,**
Load class 400 kN

-  **Category E 600,**
Load class 600 kN

-  **Category F 900,**
Load class 900 kN

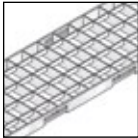





Numerous grating options, for example GUGI-Ductile iron mesh gratings

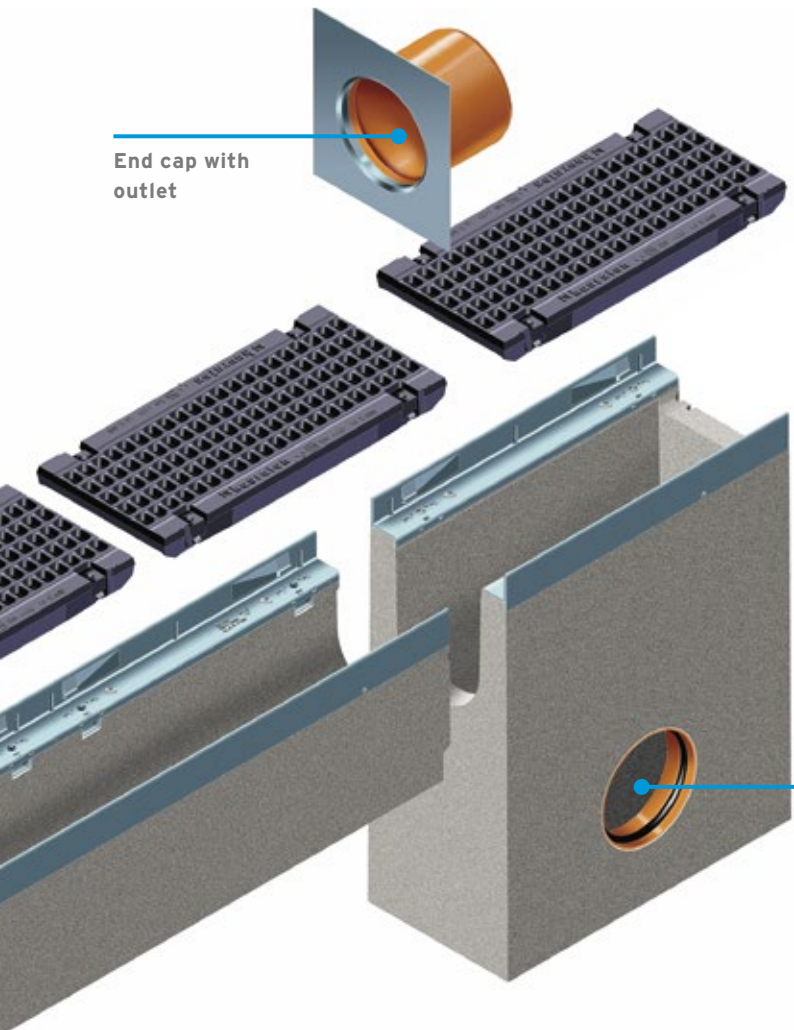
End cap without outlet

Channels made of fibre reinforced concrete, according to DIN V 19580/EN 1433, CE-conform with safety joint, steel angle housings and boltless locking system SIDE-LOCK with groove and tongue connection for exact installation

Grating options FASERFIX SUPER Channels

	Mesh grating*	GUGI-Ductile iron mesh gratings*	Ductile iron gratings*	Solid covers*
Load categories				
C 250	300		300	
D 400			100, 150, 200, 300, 400, 500	
E 600		150, 200, 300, 400	500	150, 200, 300, 400, 500
F 900		100	150, 200, 300, 400, 500	

* sizes are nominal widths



End cap with outlet

Trash box with 3-sided pipe connection possibilities, integrated PVC-U socket DN/OD 110 with removable mud bucket

Widths and heights of **FASERFIX SUPER**:



Nominal sizes	100			150			200			300			400			500		
Type 01	190	190	190	240	255	195	290	305	240	390	415	345	490	540	455	590	630	540
Type 01E	-	-	-	240	255	195	290	305	240	390	415	345	490	540	455	-	-	-
Type 01H	-	-	-	-	-	-	-	-	-	390	630	545	490	630	545	-	-	-
Type 010	190	235	185	240	309	249	290	350	285	390	460	390	-	-	-	-	-	-
Type 010E	-	-	-	-	-	-	290	350	285	-	-	-	-	-	-	-	-	-
Type 020	190	285	235	-	-	-	290	400	335	390	510	440	-	-	-	-	-	-
Type 020E	-	-	-	240	369	309	290	400	335	-	-	-	-	-	-	-	-	-
available with built-in fall	-			x			x			x			-			-		



Width/Height/Inside height (in mm)

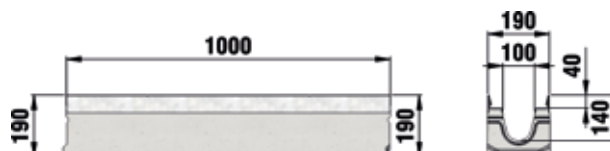
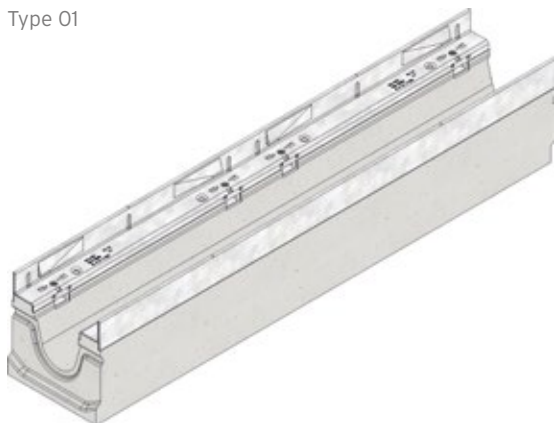
- FASERFIX®SUPER
- FASERFIX®KS
- FASERFIX®BIG SLG
- FASERFIX®BIG BL
- RECYFIX®PLUS X
- RECYFIX®NC
- RECYFIX®MONOTEC
- RECYFIX®HICAP®F
- FASERFIX®POINT KS
- SERVICE CHANNEL

FASERFIX®SUPER 100

Channels

FASERFIX®SUPER 100 with galvanised angle housings, up to load class F 900

Type 01



	Length mm	Width mm	Height mm	Internal channel cross-sect. cm ²	Weight kg	Item No.
Type 01	1000	190	190	80	51,60	6000
Type 0105	500	190	190	80	25,30	6049
Type 01L with outlet, DN/OD 110*	1000	190	190	80	50,20	6045
Type 010	1000	190	235	125	61,00	6042
Type 01005	500	190	235	125	31,00	6050
Type 010L, with outlet, DN/OD 110*	1000	190	235	125	59,70	6046
Type 020	1000	190	285	175	70,50	6044
Type 02005	500	190	285	175	38,00	6048
Type 020L, with outlet, DN/OD 110*	1000	190	285	175	69,20	6047

* Position of the opening to the bottom of the channel. 100 mm from the centre of the hole (DN/OD 110) to the end of the channel.

FASERFIX®SUPER 100 with ductile iron angle housings, up to load class F 900

Type 010



	Length mm	Width mm	Height mm	Internal channel cross-sect. cm ²	Weight kg	Item No.
Type 01	1000	190	190	80	52,40	1400
Type 010	1000	190	235	125	61,30	1442
Type 01005	500	190	235	125	31,20	1450
Type 020	1000	190	285	175	73,40	1444

Bolting required - see further accessories

FASERFIX®SUPER 100

Gratings

FASERFIX®SUPER 100, class D 400*



Ductile iron grating, SW 94/16 mm, black, with plastic caps



Ductile iron grating, SW 94/16 mm, KTL-coated, with plastic caps

	Length mm	Width mm	Height mm	Intake cross-sect. cm ² /m	Weight kg	Item No.
Ductile iron grating, SW 94/16 mm, black, with plastic caps	500	179	40	360	5,90	6063
Ductile iron grating, SW 94/16 mm, KTL-coated, with plastic caps	500	179	40	360	6,10	6663
Ductile iron grating, SW 94/16 mm, galvanised, with plastic caps	500	179	40	360	6,00	6683

* Not for use across the carriageway of highways or motorways in moving traffic.

FASERFIX®SUPER 100, class F 900



GUGI-Ductile iron mesh grating, MW 15/25 mm, black, with plastic caps



GUGI-Ductile iron mesh grating, MW 15/25 mm, KTL-coated, with plastic caps

	Length mm	Width mm	Height mm	Intake cross-sect. cm ² /m	Weight kg	Item No.
GUGI-Ductile iron mesh grating, MW 15/25 mm, black, with plastic caps	500	179	40	494	7,60	6060
GUGI-Ductile iron mesh grating, MW 15/25 mm, KTL-coated, with plastic caps	500	179	40	494	7,60	6660

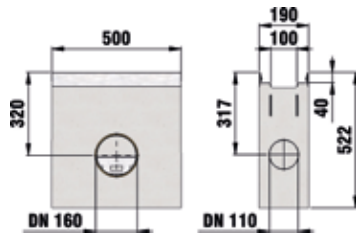
FASERFIX® SUPER 100

Accessories

Trash boxes



Trash box with galvanised mud bucket



Trash box with ductile iron angle housing and galvanised mud bucket

	Length mm	Width mm	Height mm	Weight kg	Item No.
Trash box with galvanised mud bucket	500	190	522	59,00	6052
Trash box with ductile iron angle housing and galvanised mud bucket	500	190	522	62,10	1452

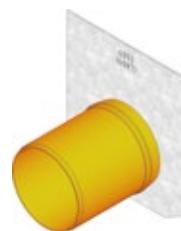
End caps



End cap closed, type 01



End cap closed, galvanised, type 010



End cap with horizontal PVC-U pipe outlet galvanised, type 010

	Length mm	Width mm	Height mm	Weight kg	Item No.
End cap closed, type 01	-	190	165	0,50	6081
End cap closed, galvanised, type 010	-	190	210	0,60	6082
End cap closed, galvanised, type 020	-	190	260	0,80	6083
End cap with horizontal PVC-U pipe outlet galvanised, type 010	-	190	210	0,70	6092
End cap with horizontal PVC-U pipe outlet galvanised, type 020	-	190	260	0,80	6093

The quality of stainless steel material corresponds to CNS 1.4301 or CNS 1.4307.

FASERFIX® SUPER 100

Further accessories



PVC-U pipe connection element
DN/OD 160



Mud bucket vertical
made of modified composite
for outlet DN/OD 110, black



Installation aid NW 100
(2 pieces required) - due to security
reasons no return can be made

	Length mm	Width mm	Height mm	Weight kg	Item No.
Hexagon bolt with locking serration, stainless steel, M 10 x 50	-	-	-	0,00	99938
Caps for hexagon bolts	24	24	7	-	91100
Foul air trap DN/OD 110 with hole	-	-	103	0,20	964
PVC-U pipe connection element DN/OD 160	-	-	-	0,50	906
Mud bucket vertical made of modified composite for outlet DN/OD 110, black	100	100	85	0,00	40293
Universal sealant/adhesive Siga-Meltell® 220 black**	-	-	-	1,00	19051
Tubular pistol for universal sealant/adhesive Siga-Meltell® 220 black**	-	-	-	1,30	6891
Installation aid NW 100 (2 pieces required) - due to security reasons no return can be made	-	-	-	1,60	705

** Consumption for channel type O20: approx. 85 ml per joint.

Factory-made services



Cutting to length
of NW 100



Mitre cuts NW 100
(price per cut, two cuts
necessary)



Cutting for gradient
for all nominal widths



Fixing-system EP, empty pipe
in the channel bottom,
(2 pieces per metre)

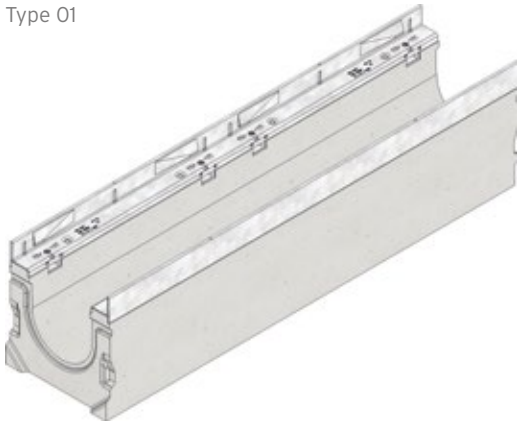
	Length mm	Width mm	Height mm	Weight kg	Item No.
Cutting to length of NW 100	-	-	-	-	990
Mitre cuts NW 100 (price per cut, two cuts necessary)	-	-	-	-	995
Cutting for gradient for all nominal widths	-	-	-	-	890
Drilling of connecting holes DN/OD 110	-	-	-	-	972
Factory-made insertion of modified PP union connectors DN/OD 75 (incl. drilling)	-	-	-	-	981
Factory-made insertion of PVC-U union connectors DN/OD 110 (incl. drilling)	-	-	-	-	982
Fixing-system EP, empty pipe in the channel bottom, (2 pieces per metre)	-	-	-	-	703
steel bars for fixing system EP (2 pieces per metre)	-	-	-	-	704

FASERFIX®SUPER 150

Channels

FASERFIX®SUPER 150 with galvanised angle housings, up to load class F 900

Type 01



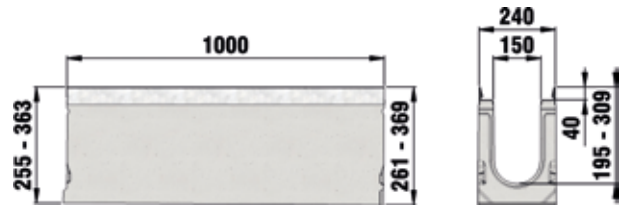
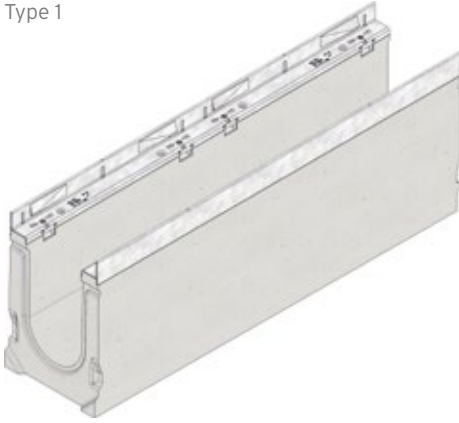
	Length mm	Width mm	Height mm	Internal channel cross-sect. cm ²	Weight kg	Item No.
Type 01	1000	240	255	205	75,30	2000
Type 01L with hole, DN/OD 160*	1000	240	255	205	77,00	2035
Type 0105	500	240	255	205	37,00	2049
Type 010	1000	240	300	272	84,40	2042
Type 010L with hole, DN/OD 160*	1000	240	300	272	82,40	2036
Type 020	1000	240	350	345	95,60	2044
Type 020L with hole, DN/OD 160*	1000	240	350	345	93,60	2037
Type 01 E	1000	240	255	223	80,00	2105

* Position of the opening to the bottom of the channel. 130 mm from the centre of the hole (DN/OD 160) to the end of the channel.

FASERFIX®SUPER 150

FASERFIX®SUPER 150 with built-in fall 0.6 %, up to load class F 900

Type 1



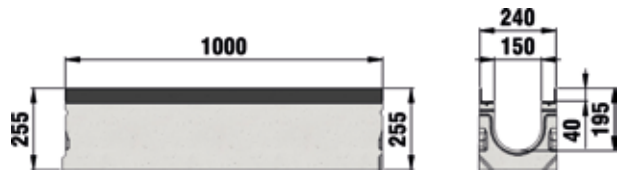
	Length mm	Width mm	Height mm	Internal channel cross-sect. cm ²	Weight kg	Item No.
Type 1	1000	240	255 - 260	212	76,21	2001
Type 2	1000	240	260 - 265	220	77,12	2002
Type 3	1000	240	265 - 270	227	78,03	2003
Type 4	1000	240	270 - 275	235	78,94	2004
Type 5	1000	240	275 - 280	242	79,85	2005
Type 6	1000	240	280 - 285	249	80,76	2006
Type 7	1000	240	285 - 290	257	81,67	2007
Type 8	1000	240	290 - 295	264	82,58	2008
Type 9	1000	240	295 - 300	272	83,49	2009
Type 10	1000	240	300 - 305	279	85,52	2010
Type 11	1000	240	305 - 310	285	86,65	2011
Type 12	1000	240	310 - 315	293	87,76	2012
Type 13	1000	240	315 - 320	300	88,88	2013
Type 14	1000	240	320 - 325	307	90,00	2014
Type 15	1000	240	325 - 330	315	91,12	2015
Type 16	1000	240	330 - 335	322	92,24	2016
Type 17	1000	240	335 - 340	330	93,36	2017
Type 18	1000	240	340 - 345	337	94,48	2018
Type 19	1000	240	345 - 350	345	95,60	2019

FASERFIX®SUPER 150

Channels

FASERFIX®SUPER 150 with ductile iron angle housings, up to load class F 900

Type 01



	Length mm	Width mm	Height mm	Internal channel cross-sect. cm ²	Weight kg	Item No.
Type 01	1000	240	255	205	79,66	2400
Type 0105	500	240	255	205	39,21	2449
Type 010	1000	240	300	272	88,76	2442
Type 020	1000	240	350	345	99,96	2444

Bolting required - see further accessories

Gratings

FASERFIX®SUPER 150, class D 400*



Ductile iron grating,
SW 150/18 mm, black,
with plastic caps



Ductile iron grating,
SW 170/18 mm, black,
KTL-coated, with plastic caps

	Length mm	Width mm	Height mm	Intake cross-sect. cm ² /m	Weight kg	Item No.
Ductile iron grating, SW 150/18 mm, black, with plastic caps	500	229	40	624	7,45	2463
Ductile iron grating, SW 170/18 mm, black, KTL-coated, with plastic caps	500	229	40	624	7,45	2483
Ductile iron grating, SW 150/18 mm, gavanlised, with plastic caps	500	229	40	624	7,44	2493

* Not for use across the carriageway of highways or motorways in moving traffic.

FASERFIX®SUPER 150

Gratings

FASERFIX®SUPER 150, class E 600



GUGI-Ductile iron mesh grating, MW 15/25 mm, black, with plastic caps

	Length mm	Width mm	Height mm	Intake cross-sect. cm ² /m	Weight kg	Item No.
GUGI-Ductile iron mesh grating, MW 15/25 mm, black, with plastic caps	500	229	40	628	11,50	2068

Solid ductile iron covers (closed) can be found in the range SERVICE CHANNELS.

FASERFIX®SUPER 150, class F 900



Ductile iron grating, SW 20 mm, black, with plastic caps



Ductile iron grating, SW 20 mm, KTL-coated, with plastic caps

	Length mm	Width mm	Height mm	Intake cross-sect. cm ² /m	Weight kg	Item No.
Ductile iron grating, SW 20 mm, black, with plastic caps	500	229	40	710	9,90	2061
Ductile iron grating, SW 20 mm, KTL-coated, with plastic caps	500	229	40	710	9,90	2861

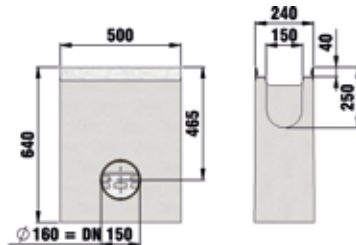
FASERFIX® SUPER 150

Accessories

Trash boxes



Trash box with galvanised bucket



	Length mm	Width mm	Height mm	Weight kg	Item No.
Trash box with galvanised bucket	500	240	640	90,32	2052
Trash box with ductile iron angle housing and galvanised mud bucket	500	240	640	87,50	2452

End caps



End cap closed, galvanised, type 01



End cap closed, galvanised, type 010



End cap closed, galvanised, type 020



End cap with horizontal PVC-U pipe outlet DN/OD 160, galvanised, type 020

	Length mm	Width mm	Height mm	Weight kg	Item No.
End cap closed, galvanised, type 01	-	240	255	0,90	2081
End cap closed, galvanised, type 010	-	240	300	1,10	2082
End cap closed, galvanised, type 020	-	240	350	1,40	2083
End cap with horizontal PVC-U pipe outlet DN/OD 160, galvanised, type 01	-	240	255	1,00	2091
End cap with horizontal PVC-U pipe outlet DN/OD 160, galvanised, type 010	-	240	300	1,20	2092
End cap with horizontal PVC-U pipe outlet DN/OD 160, galvanised, type 020	-	240	350	1,70	2093

The quality of stainless steel material corresponds to CNS 1.4301 or CNS 1.4307.

FASERFIX® SUPER 150

Further accessories



Foul air trap DN/OD 160



PVC-U pipe connection element
DN/OD 160

	Length mm	Width mm	Height mm	Weight kg	Item No.
Hexagon bolt with locking serration, stainless steel, M 10 x 50	-	-	-	0,04	99938
Caps for hexagon bolts	24	24	7	-	91100
Foul air trap DN/OD 160	584	160	439	2,00	960
PVC-U pipe connection element DN/OD 160	-	-	-	0,50	906
Universal sealant/adhesive Siga-Meltell® 220 black**	-	-	-	0,79	19051
Tubular pistol for universal sealant/adhesive Siga-Meltell® 220 black**	-	-	-	1,30	6891
Installation aid NW 150 (2 pieces required) - due to security reasons no return can be made	-	-	-	2,09	136018

**** Consumption for channel type O20: approx. 94 ml per joint.**

Factory-made services



Cutting to length
of NW 150



Cutting for gradient
for all nominal widths



Fixing-system EP, empty pipe in
the channel bottom,
(2 pieces per metre)

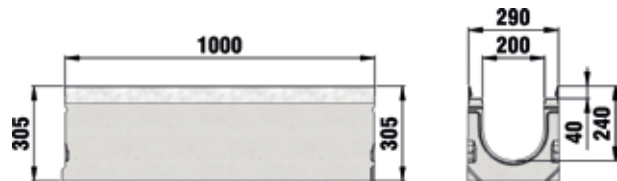
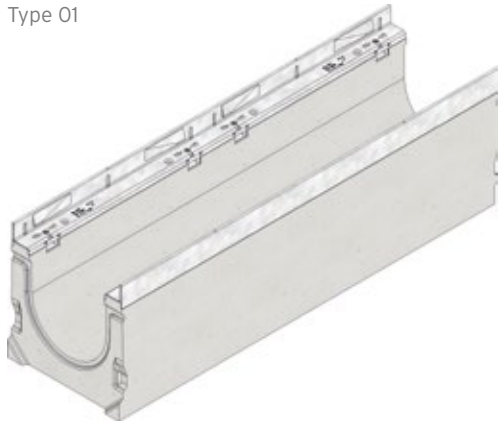
	Length mm	Width mm	Height mm	Weight kg	Item No.
Cutting to length of NW 150	-	-	-	-	991
Mitre cuts NW 150 (price per cut, two cuts necessary)	-	-	-	-	996
Cutting for gradient for all nominal widths	-	-	-	-	890
Drilling of connecting holes DN/OD 160	-	-	-	-	973
Factory-made insertion of PVC-U union connectors DN/OD 160 (incl. drilling)	-	-	-	-	983
Fixing-system EP, empty pipe in the channel bottom, (2 pieces per metre)	-	-	-	0,03	703
steel bars for fixing system EP (2 pieces per metre)	-	-	-	0,01	704

FASERFIX®SUPER 200

Channels

FASERFIX®SUPER 200 with galvanised angle housings, **up to load class F 900**

Type 01



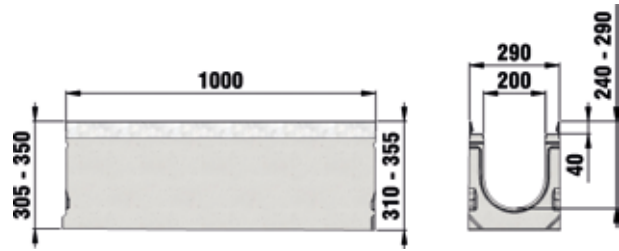
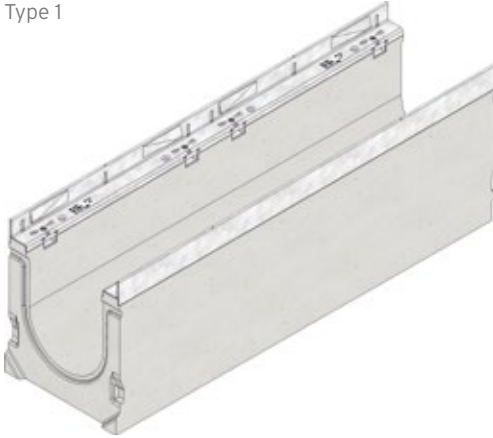
	Length mm	Width mm	Height mm	Internal channel cross-sect. cm ²	Weight kg	Item No.
Type 01	1000	290	305	362	96,80	3000
Type 0105	500	290	305	362	49,00	3049
Type 01L with hole, DN/OD 200*	1000	290	305	362	99,00	3035
Type 010	1000	290	350	447	107,10	3042
Type 010L with hole, DN/OD 200*	1000	290	350	447	114,00	3036
Type 020	1000	290	400	552	113,70	3044
Type 020L with hole, DN/OD 200*	1000	290	400	552	125,00	3037
Type 01 E	1000	290	305	386	104,50	3105
Type 010 E	1000	290	350	473	113,50	3106
Type 020 E	1000	290	400	568	124,50	3107

* Position of the opening to the bottom of the channel. 200 mm from the centre of the hole (DN/OD 200) to the end of the channel.

FASERFIX®SUPER 200

FASERFIX®SUPER 200 with built-in fall 0.5 %, up to load class F 900

Type 1



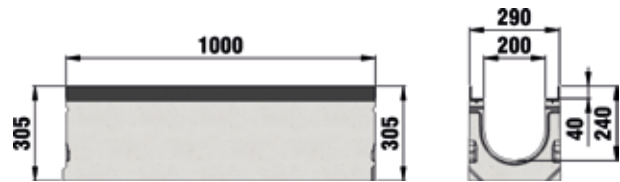
	Length mm	Width mm	Height mm	Internal channel cross-sect. cm ²	Weight kg	Item No.
Type 1	1000	290	305 - 310	362	105,00	3001
Type 2	1000	290	310 - 315	372	106,00	3002
Type 3	1000	290	315 - 320	382	107,00	3003
Type 4	1000	290	320 - 325	392	108,00	3004
Type 5	1000	290	325 - 330	402	109,00	3005
Type 6	1000	290	330 - 335	412	110,00	3006
Type 7	1000	290	335 - 340	422	111,00	3007
Type 8	1000	290	340 - 345	432	112,00	3008
Type 9	1000	290	345 - 350	442	113,00	3009
Type 10	1000	290	350 - 355	452	114,00	3010
Type 11	1000	290	355 - 360	462	116,00	3011
Type 12	1000	290	360 - 365	472	117,00	3012
Type 13	1000	290	365 - 370	482	118,00	3013
Type 14	1000	290	370 - 375	492	119,00	3014
Type 15	1000	290	375 - 380	502	120,00	3015
Type 16	1000	290	380 - 385	512	121,00	3016
Type 17	1000	290	385 - 390	522	122,00	3017
Type 18	1000	290	390 - 395	532	123,00	3018
Type 19	1000	290	395 - 400	542	124,00	3019

FASERFIX®SUPER 200

Channels

FASERFIX®SUPER 200 with ductile iron angle housings, up to load class F 900

Type 01



	Length mm	Width mm	Height mm	Internal channel cross-sect. cm ²	Weight kg	Item No.
Type 01	1000	290	305	362	96,70	3400
Type 0105	500	290	305	362	50,20	3449
Type 010	1000	290	350	447	106,50	3442
Type 020	1000	290	400	552	126,40	3444

Bolting required - see further accessories

Gratings

FASERFIX®SUPER 200, class D 400*



Ductile iron grating,
SW 170/18 mm, black,
with plastic caps



Ductile iron grating,
SW 170/18 mm, black, KTL-coated,
with plastic caps

	Length mm	Width mm	Height mm	Intake cross-sect. cm ² /m	Weight kg	Item No.
Ductile iron grating, SW 170/18 mm, black, with plastic caps	500	279	40	732	9,30	3463
Ductile iron grating, SW 170/18 mm, black, KTL-coated, with plastic caps	500	279	40	732	9,30	3483
Ductile iron grating SW 170/18 mm, galvanised, with plastic caps	500	279	40	732	9,30	3493

* Not for use across the carriageway of highways or motorways in moving traffic.

FASERFIX®SUPER 200

Gratings

FASERFIX®SUPER 200, class E 600



GUGI-Ductile iron mesh grating
MW 15/25 mm, black,
with plastic caps

	Length mm	Width mm	Height mm	Intake cross-sect. cm ² /m	Weight kg	Item No.
GUGI-Ductile iron mesh grating MW 15/25 mm, black, with plastic caps	500	279	40	818	12,65	3068
GUGI-Ductile iron mesh grating, MW 15/25 mm, KTL-coated, with plastic caps	500	279	40	818	12,60	3868

Solid ductile iron covers (closed) can be found in the range SERVICE CHANNELS.

FASERFIX®SUPER 200, class F 900



Ductile iron grating
SW 20 mm, black,
with plastic caps



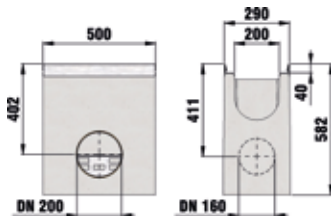
Ductile iron grating
SW 20 mm, KTL-coated,
with plastic caps

	Length mm	Width mm	Height mm	Intake cross-sect. cm ² /m	Weight kg	Item No.
Ductile iron grating SW 20 mm, black, with plastic caps	500	279	40	833	13,60	3061
Ductile iron grating SW 20 mm, KTL-coated, with plastic caps	500	279	40	833	13,70	3861

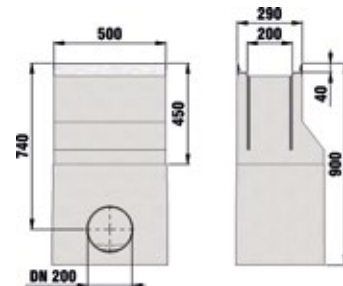
FASERFIX® SUPER 200

Accessories

Trash boxes



Trash box with galvanised bucket



Trash box, 2-pieces with galvanised bucket

	Length mm	Width mm	Height mm	Weight kg	Item No.
Trash box with galvanised bucket	500	290	582	92,00	3052
Trash box, 2-pieces with galvanised bucket	500	290	900	190,50	3054
Trash box with ductile iron angle housing and galvanised mud bucket	500	290	582	88,50	3452
Trash box, 2-pieces with ductile iron angle housing and galvanised mud bucket	500	290	900	196,50	3454

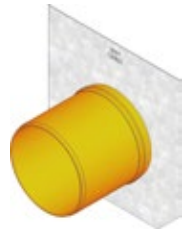
End caps



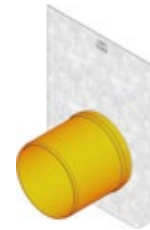
End cap closed, galvanised, type 010



End cap closed, galvanised, type 020



End cap with horizontal PVC-U pipe outlet DN/OD 160, galvanised, type 01



End cap with horizontal PVC-U pipe outlet DN/OD 160, galvanised, type 020

	Length mm	Width mm	Height mm	Weight kg	Item No.
End cap closed, galvanised, type 01	-	290	305	1,40	3081
End cap closed, galvanised, type 010	-	290	350	1,70	3082
End cap closed, galvanised, type 020	-	290	400	1,90	3083
End cap with horizontal PVC-U pipe outlet DN/OD 160, galvanised, type 01	-	290	305	1,50	3091
End cap with horizontal PVC-U pipe outlet DN/OD 160, galvanised, type 020	-	290	400	1,80	3093

FASERFIX®SUPER 200

Further accessories



PVC-Connection
DN/OD 200

	Length mm	Width mm	Height mm	Weight kg	Item No.
Hexagon bolt with locking serration, stainless steel, M 10 x 50	-	-	-	0,00	99938
Caps for hexagon bolts	24	24	7	-	91100
PVC-Connection DN/OD 200	-	-	-	0,80	907
Universal sealant/adhesive Siga-Meltell® 220 black**	-	-	-	1,00	19051
Tubular pistol for universal sealant/adhesive Siga-Meltell® 220 black**	-	-	-	1,30	6891
Installation aid NW 200 (2 pieces required) - due to security reasons no return can be made	-	-	-	2,60	136202

** Consumption for channel type O20: approx. 105 ml per joint.

Factory-made services



Cutting to length
of NW 200



Cutting for gradient
for all nominal widths



Drilling of connecting holes
DN/OD 200



Factory-made insertion
of PVC-U union connectors
DN/OD 200

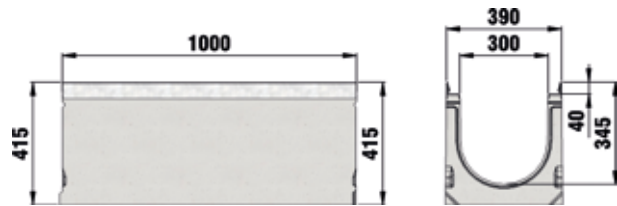
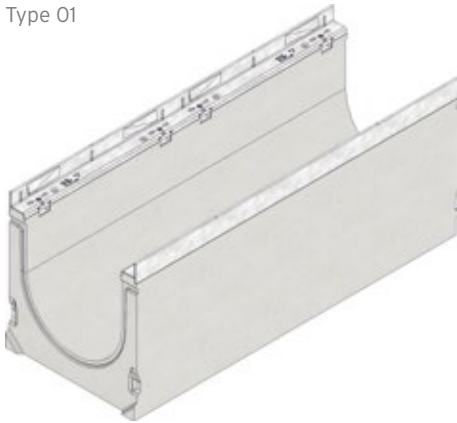
	Length mm	Width mm	Height mm	Weight kg	Item No.
Cutting to length of NW 200	-	-	-	-	992
Mitre cuts NW 200 (price per cut, two cuts necessary)	-	-	-	-	997
Cutting for gradient for all nominal widths	-	-	-	-	890
Drilling of connecting holes DN/OD 200	-	-	-	-	974
Factory-made insertion of PVC-U union connectors DN/OD 200	-	-	-	-	984
Fixing-system EP, empty pipe in the channel bottom, (2 pieces per metre)	-	-	-	-	703
steel bars for fixing system EP (2 pieces per metre)	-	-	-	-	704

FASERFIX®SUPER 300

Channels

FASERFIX®SUPER 300 with galvanised angle housings, **up to load class F 900**

Type 01



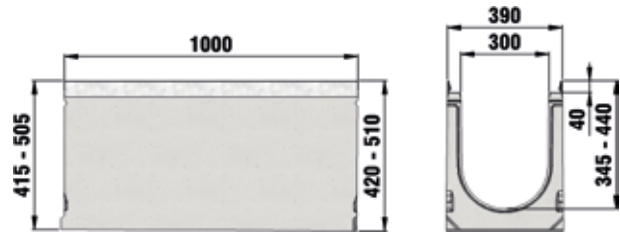
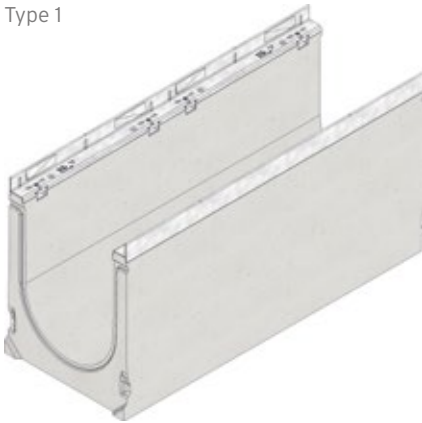
	Length mm	Width mm	Height mm	Internal channel cross-sect. cm ²	Weight kg	Item No.
Type 01	1000	390	415	803	153,08	4000
Type 0105	500	390	415	803	75,00	4001
Type 01L with outlet, DN/OD 200*	1000	390	415	803	149,30	4045
Type 010	1000	390	460	938	160,29	4242
Type 020	1000	390	510	1088	173,11	4244
Type 01 H	1000	390	630	1202	250,98	4044
Type 01 E	1000	390	415	900	133,65	4105

* Position of the opening to the bottom of the channel. 200 mm from the centre of the hole (DN/OD 200) to the end of the channel.

FASERFIX®SUPER 300

FASERFIX®SUPER 300 with galvanised angle housings, with built-in fall 0.5%, up to loading class F 900

Type 1



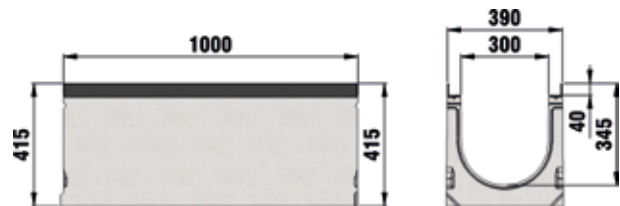
	Length mm	Width mm	Height mm	Internal channel cross-sect. cm ²	Weight kg	Item No.
Type 1	1000	390	415 - 420	811	151,00	4201
Type 2	1000	390	420 - 425	826	152,00	4202
Type 3	1000	390	425 - 430	841	153,00	4203
Type 4	1000	390	430 - 435	856	154,00	4204
Type 5	1000	390	435 - 440	871	155,00	4205
Type 6	1000	390	440 - 445	886	156,00	4206
Type 7	1000	390	445 - 450	901	157,00	4207
Type 8	1000	390	450 - 455	916	158,00	4208
Type 9	1000	390	455 - 460	931	159,00	4209
Type 10	1000	390	460 - 465	946	160,00	4210
Type 11	1000	390	465 - 470	961	161,00	4211
Type 12	1000	390	470 - 475	976	162,00	4212
Type 13	1000	390	475 - 480	991	163,00	4213
Type 14	1000	390	480 - 485	1006	164,00	4214
Type 15	1000	390	485 - 490	1021	165,00	4215
Type 16	1000	390	490 - 495	1036	166,00	4216
Type 17	1000	390	495 - 500	1051	167,00	4217
Type 18	1000	390	500 - 505	1066	168,00	4218
Type 19	1000	390	505 - 510	1081	169,00	4219

FASERFIX®SUPER 300

Channels

FASERFIX®SUPER 300 with ductile iron angle housings, **up to load class F 900**

Type 01



	Length mm	Width mm	Height mm	Internal channel cross-sect. cm ²	Weight kg	Item No.
Type 01	1000	390	415	803	154,40	4600
Type 0105	500	390	415	803	79,57	4649
Type 01H	1000	390	630	1202	262,14	4644

Bolting required - see further accessories

FASERFIX®SUPER 300

Gratings

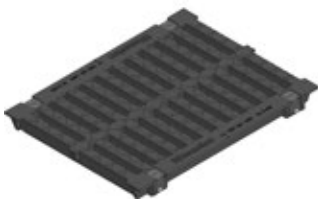
FASERFIX®SUPER 300, class C 250



Mesh grating MW 30/15 mm, galvanised

	Length mm	Width mm	Height mm	Intake cross-sect. cm ² /m	Weight kg	Item No.
Mesh grating MW 30/15 mm, galvanised	1000	377	40	2127	32,10	4075
Mesh grating MW 30/15 mm, galvanised	500	377	40	2127	17,00	4076

FASERFIX®SUPER 300, class D 400*



Ductile iron grating, SW 2 x 136/18 mm, black, with plastic caps

	Length mm	Width mm	Height mm	Intake cross-sect. cm ² /m	Weight kg	Item No.
Ductile iron grating, SW 2 x 136/18 mm, black, with plastic caps	500	377	40	1150	16,90	4563
Ductile iron grating, SW 2 x 136/18 mm, KTL-coated, with plastic caps	500	377	40	1150	16,90	4543

* Not for use across the carriageway of highways or motorways in moving traffic.

FASERFIX®SUPER 300

Gratings

FASERFIX®SUPER 300, class E 600



GUGI-Ductile iron mesh gratIng
MW 15/25 mm, black,
with plastic caps

	Length mm	Width mm	Height mm	Intake cross-sect. cm ² /m	Weight kg	Item No.
GUGI-Ductile iron mesh gratIng MW 15/25 mm, black, with plastic caps	500	377	40	1172	21,80	4068
GUGI-Ductile iron mesh grating MW 15/25 mm, black, KTL-coated, with plastic caps	500	377	40	1172	22,50	4868

Solid ductile iron covers (closed) can be found in the range SERVICE CHANNELS.

FASERFIX®SUPER 300, class F 900



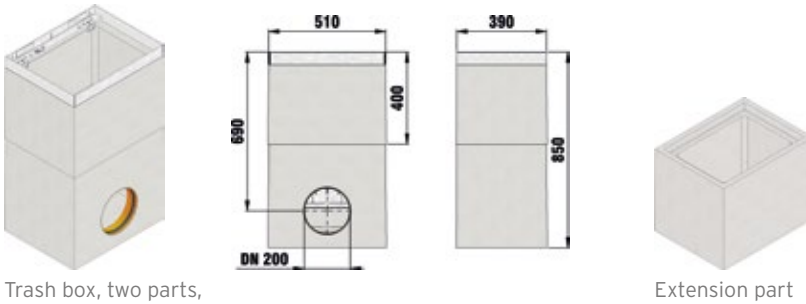
Ductile iron grating,
SW 2 x 136/20 mm, black,
with plastic caps

	Length mm	Width mm	Height mm	Intake cross-sect. cm ² /m	Weight kg	Item No.
Ductile iron grating, SW 2 x 136/20 mm, black, with plastic caps	500	377	40	1334	23,20	4061
Ductile iron grating, SW 2 x 136/20 mm, KTL-coated, with plastic caps	500	377	40	1334	23,20	4861

FASERFIX®SUPER 300

Accessories

Trash boxes

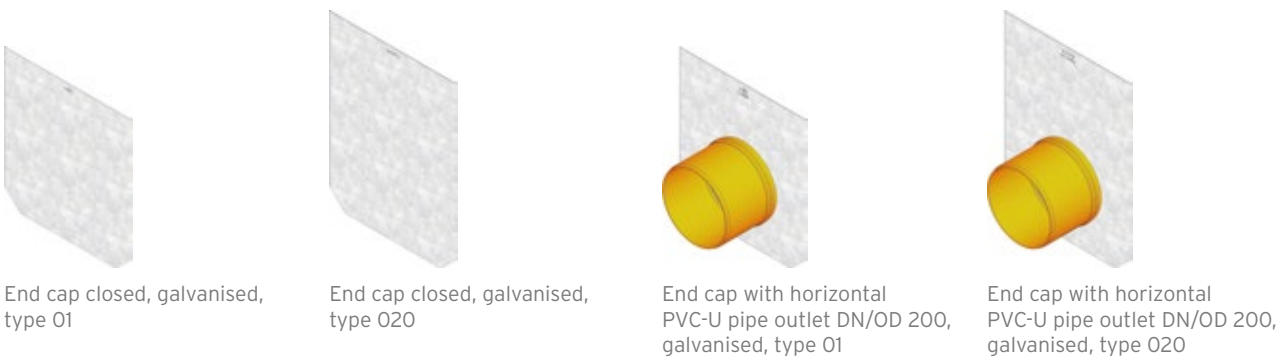


Trash box, two parts, without grating

Extension part

	Length mm	Width mm	Height mm	Weight kg	Item No.
Trash box, two parts, without grating	510	390	850	183,50	4050
Trash box, 2-pieces with ductile iron angle housing and galvanised mud bucket	510	390	850	216,50	4652
Extension part	510	390	400	81,66	4054
Trash box 2-parts with PE-HD pipe, ductile iron angle housing and gate valve	510	390	850	217,00	4660

End caps



End cap closed, galvanised, type 01

End cap closed, galvanised, type 020

End cap with horizontal PVC-U pipe outlet DN/OD 200, galvanised, type 01

End cap with horizontal PVC-U pipe outlet DN/OD 200, galvanised, type 020

	Length mm	Width mm	Height mm	Weight kg	Item No.
End cap closed, galvanised, type 01	-	390	415	2,49	4081
End cap closed, galvanised, type 010	-	390	460	2,73	32973
End cap closed, galvanised, type 020	-	390	510	3,05	32974
End cap closed, galvanised, type 01H	-	390	630	3,75	4083
End cap with horizontal PVC-U pipe outlet DN/OD 200, galvanised, type 01	-	390	415	2,80	4085
End cap with horizontal PVC-U pipe outlet DN/OD 200, galvanised, type 010	-	390	460	-	32977
End cap with horizontal PVC-U pipe outlet DN/OD 200, galvanised, type 020	-	390	510	-	32978
End cap with horizontal PVC-U pipe outlet DN/OD 200, galvanised, type 01H	-	390	630	4,50	4088

FASERFIX® SUPER 300

Accessories

Further accessories



PVC-Connection DN/OD 200

	Length mm	Width mm	Height mm	Weight kg	Item No.
Hexagon bolt with locking serration, stainless steel, M 10 x 50	-	-	-	0,00	99938
Caps for hexagon bolts	24	24	7	-	91100
PVC-Connection DN/OD 200	-	-	-	0,80	907
Universal sealant/adhesive Siga-Meltell® 220 black**	-	-	-	1,00	19051
Tubular pistol for universal sealant/adhesive Siga-Meltell® 220 black**	-	-	-	1,30	6891
Installation aid NW 300 (2 pieces required) - due to security reasons no return can be made	-	-	-	3,70	136242

** Consumption for channel type 01H: approx. 169 ml per joint.

FASERFIX® SUPER 300

Factory-made services



Cutting to length of NW 300



Mitre cuts NW 300 (price per cut, two cuts necessary)



Cutting for gradient for all nominal widths



Drilling of connecting holes DN/OD 200



Factory-made insertion of PVC-U union connectors DN/OD 200



Fixing-system EP, empty pipe in the channel bottom, (2 pieces per metre)

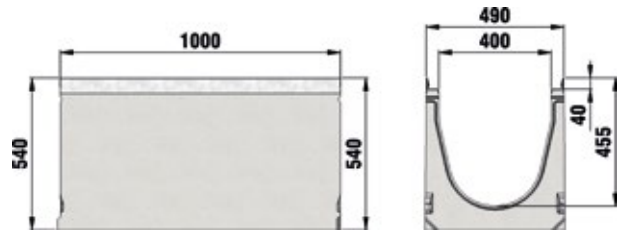
	Length mm	Width mm	Height mm	Weight kg	Item No.
Cutting to length of NW 300	-	-	-	-	993
Mitre cuts NW 300 (price per cut, two cuts necessary)	-	-	-	-	998
Cutting for gradient for all nominal widths	-	-	-	-	890
Drilling of connecting holes DN/OD 200	-	-	-	-	974
Factory-made insertion of PVC-U union connectors DN/OD 200	-	-	-	-	984
Drilling of connection holes DN/OD 315	-	-	-	-	978
Factory-made insertion of PVC-U union connectors DN/OD 315 (incl. drilling)	-	-	-	-	979
Fixing-system EP, empty pipe in the channel bottom, (2 pieces per metre)	-	-	-	-	703
steel bars for fixing system EP (2 pieces per metre)	-	-	-	-	704

FASERFIX®SUPER 400

Channels

FASERFIX®SUPER 400 with galvanised angle housings, **up to load class F 900**

Type 01



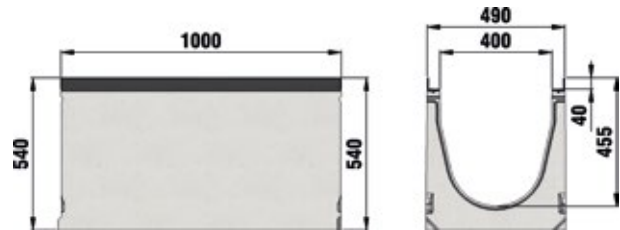
	Length mm	Width mm	Height mm	Internal channel cross-sect. cm ²	Weight kg	Item No.
Type 01	1000	490	540	1383	254,00	4111
Type 01L with outlet, DN/OD 200*	1000	490	540	1383	241,50	4112
Type 01H	1000	490	630	1758	258,40	4116
Type 01E	1000	490	540	1498	255,00	4011

* Position of the opening to the bottom of the channel. 200 mm from the centre of the hole (DN/OD 200) to the end of the channel.

FASERFIX®SUPER 400

FASERFIX®SUPER 400 with ductile iron angle housings, up to load class F 900

Type 01



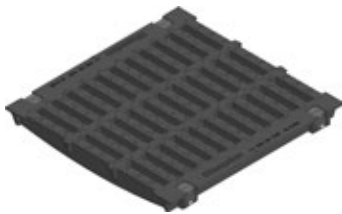
	Length mm	Width mm	Height mm	Internal channel cross-sect. cm ²	Weight kg	Item No.
Type 01	1000	490	540	1383	248,10	9200
Type 01H	1000	490	630	1758	267,10	9244

Bolting required - see further accessories

FASERFIX®SUPER 400

Gratings

FASERFIX®SUPER 400, class D 400*

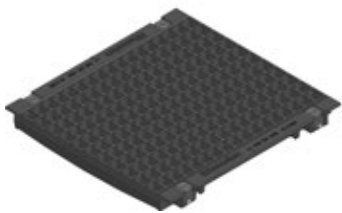


Ductile iron grating,
SW 18 mm, black,
with plastic caps

	Length mm	Width mm	Height mm	Intake cross-sect. cm ² /m	Weight kg	Item No.
Ductile iron grating, SW 18 mm, black, with plastic caps	500	477	40	1420	25,40	4663

* Not for use across the carriageway of highways or motorways in moving traffic.

FASERFIX®SUPER 400, class E 600



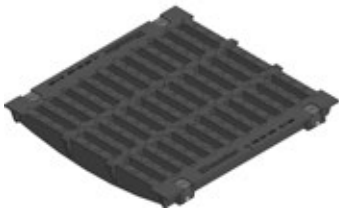
GUGI-Ductile iron mesh grating
MW 15/25 mm, black,
with plastic caps

	Length mm	Width mm	Height mm	Intake cross-sect. cm ² /m	Weight kg	Item No.
GUGI-Ductile iron mesh grating MW 15/25 mm, black, with plastic caps	500	477	40	1634	30,00	4168

Solid ductile iron covers (closed) can be found in the range SERVICE CHANNELS.

FASERFIX®SUPER 400

FASERFIX®SUPER 400, class F 900



Ductile iron grating,
SW 20 mm, black,
with plastic caps

	Length mm	Width mm	Height mm	Intake cross-sect. cm ² /m	Weight kg	Item No.
Ductile iron grating, SW 20 mm, black, with plastic caps	500	477	40	1618	38,70	4161

FASERFIX®SUPER

FASERFIX®KS

FASERFIX®BIG SLG

FASERFIX®BIG BL

RECYFIX®PLUS X

RECYFIX®NC

RECYFIX®MONOTEC

RECYFIX®HICAP®F

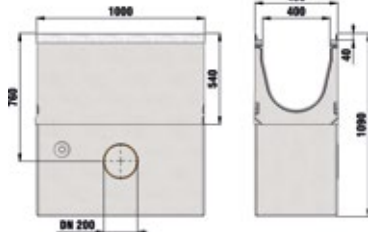
FASERFIX®POINT KS

SERVICE CHANNEL

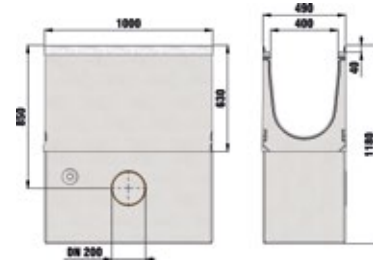
FASERFIX® SUPER 400

Accessories

Trash boxes



Trash box element
with galvanised mud bucket
for type O1*



Trash box element
with galvanised mud bucket
for type O1 H

	Length mm	Width mm	Height mm	Weight kg	Item No.
Trash box element with galvanised mud bucket for type O1*	1000	490	1090	847,00	4120
Trash box element with galvanised mud bucket for type O1 H	1000	490	1180	852,00	4125

* For positioning at the end of channel run, a closed end cap is required.

End caps



End cap closed, galvanised,
type O1



End cap with horizontal
PVC-U pipe outlet DN/OD 200,
galvanised, type O1

	Length mm	Width mm	Height mm	Weight kg	Item No.
End cap closed, galvanised, type O1	-	490	540	4,10	4091
End cap closed, galvanised, type O1H	-	490	630	4,80	4092
End cap with horizontal PVC-U pipe outlet DN/OD 200, galvanised, type O1	-	490	540	5,20	4093
End cap with horizontal PVC-U pipe outlet DN/OD 200, galvanised, typ O1H	-	490	630	5,20	4097
End cap with horizontal PVC-U pipe outlet DN/OD 315, galvanised, type O1	-	490	540	5,20	42497

FASERFIX®SUPER 400

Further accessories



PVC-Connection
DN/OD 200



Installation aid NW 400
(2 pieces required) - due to security
reasons no return can be made

	Length mm	Width mm	Height mm	Weight kg	Item No.
Hexagon bolt with locking serration, stainless steel, M 10 x 50	-	-	-	0,00	99938
Caps for hexagon bolts	24	24	7	-	91100
Philipp Spherical Head Lifting Clutch, 80-HKD-025, for laying trash boxes, galvanised, 2 pieces required	-	-	-	1,50	708
PVC-Connection DN/OD 200	-	-	-	0,80	907
Universal sealant/adhesive Siga-Meltell® 220 black**	-	-	-	1,00	19051
Tubular pistol for universal sealant/adhesive Siga-Meltell® 220 black**	-	-	-	1,30	6891
Installation aid NW 400 (2 pieces required) - due to security reasons no return can be made	-	-	-	5,20	136304

** Consumption for channel type 01H: approx. 172 ml per joint.

Factory-made services



Cutting to length
of NW 400



Cutting for gradient
for all nominal widths



Drilling of connecting holes
DN/OD 200



Fixing-system EP, empty pipe
in the channel bottom,
(2 pieces per metre)

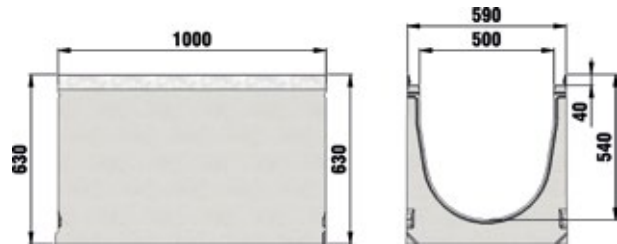
	Length mm	Width mm	Height mm	Weight kg	Item No.
Cutting to length of NW 400	-	-	-	-	985
Mitre cuts NW 400 (price per cut, two cuts necessary)	-	-	-	0,00	949
Cutting for gradient for all nominal widths	-	-	-	-	890
Drilling of connecting holes DN/OD 200	-	-	-	-	974
Factory-made insertion of PVC-U union connectors DN/OD 200	-	-	-	-	984
Drilling of connection holes DN/OD 315	-	-	-	-	978
Factory-made insertion of PVC-U union connectors DN/OD 315 (incl. drilling)	-	-	-	-	979
Fixing-system EP, empty pipe in the channel bottom, (2 pieces per metre)	-	-	-	-	703
steel bars for fixing system EP (2 pieces per metre)	-	-	-	-	704

FASERFIX® SUPER 500

Channels

FASERFIX® SUPER 500 with galvanised angle housings, **up to load class F 900**

Type 01



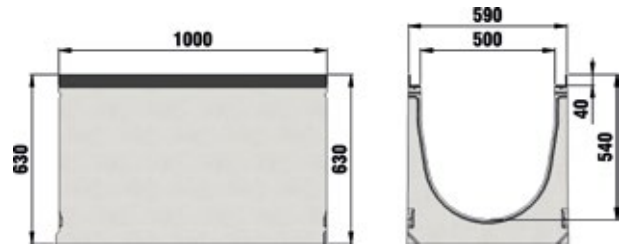
	Length mm	Width mm	Height mm	Internal channel cross-sect. cm ²	Weight kg	Item No.
Type 01	1000	590	630	2141	302,60	4121
Type 01L with outlet, DN/OD 200*	1000	590	630	2141	303,70	4122

* Position of the opening to the bottom of the channel. 200 mm from the centre of the hole (DN/OD 200) to the end of the channel.

FASERFIX®SUPER 500

FASERFIX®SUPER 500 with ductile iron angle housings, up to load class F 900

Type 01



	Length mm	Width mm	Height mm	Internal channel cross-sect. cm ²	Weight kg	Item No.
Type 01	1000	590	630	2141	308,80	9300

Bolting required - see further accessories

FASERFIX®SUPER 500

Gratings

FASERFIX®SUPER 500, class D 400*



Ductile iron grating,
SW18 mm, black,
with plastic caps

	Length mm	Width mm	Height mm	Intake cross-sect. cm ² /m	Weight kg	Item No.
Ductile iron grating, SW 18 mm, black, with plastic caps	500	577	40	1808	32,50	4683

* Not for use across the carriageway of highways or motorways in moving traffic.

FASERFIX®SUPER 500, class E 600



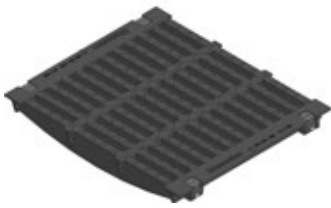
Ductile iron grating
SW 20 mm, black,
with plastic caps

	Length mm	Width mm	Height mm	Intake cross-sect. cm ² /m	Weight kg	Item No.
Ductile iron grating SW 20 mm, black, with plastic caps	500	577	40	2061	45,00	4182

Solid ductile iron covers (closed) can be found in the range SERVICE CHANNELS.

FASERFIX®SUPER 500

FASERFIX®SUPER 500, class F 900



Ductile iron grating,
SW 20 mm, black,
with plastic caps

	Length mm	Width mm	Height mm	Intake cross-sect. cm ² /m	Weight kg	Item No.
Ductile iron grating, SW 20 mm, black, with plastic caps	500	577	40	2061	46,50	4181
Ductile iron grating SW 3 x 140 x 20 mm, black, KTL-coated, with plastic caps	500	577	40	2061	41,70	5381

FASERFIX®SUPER

FASERFIX®KS

FASERFIX®BIG SLG

FASERFIX®BIG BL

RECYFIX®PLUS X

RECYFIX®NC

RECYFIX®MONOTEC

RECYFIX®HICAP®F

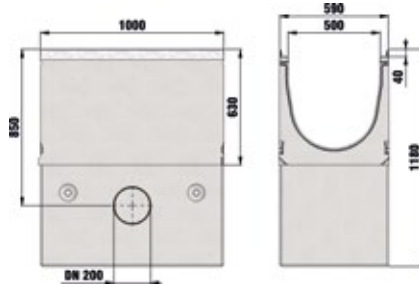
FASERFIX®POINT KS

SERVICE CHANNEL

FASERFIX® SUPER 500

Accessories

Trash boxes



Trash box element
with galvanised mud bucket
for type 01*

	Length mm	Width mm	Height mm	Weight kg	Item No.
Trash box element with galvanised mud bucket for type 01*	1000	590	1180	1031,00	4130

* For positioning at the end of channel run, a closed end cap is required.

End caps



End cap closed, galvanised,
type 01



End cap with horizontal
PVC-U pipe outlet DN/OD 200,
galvanised, type 01

	Length mm	Width mm	Height mm	Weight kg	Item No.
End cap closed, galvanised, type 01	-	590	630	6,80	4096
End cap with horizontal PVC-U pipe outlet DN/OD 200, galvanised, type 01	-	590	630	8,00	4095

FASERFIX® SUPER 500

Further accessories



PVC-Connection
DN/OD 200



Installation aid NW 500
(2 pieces required) - due to security
reasons no return can be made

	Length mm	Width mm	Height mm	Weight kg	Item No.
Hexagon bolt with locking serration, stainless steel, M 10 x 50	-	-	-	0,00	99938
Caps for hexagon bolts	24	24	7	-	91100
Philipp Spherical Head Lifting Clutch, 80-HKD-025, for laying trash boxes, galvanised, 2 pieces required	-	-	-	1,50	708
PVC-Connection DN/OD 200	-	-	-	0,80	907
Universal sealant/adhesive Siga-Meltell® 220 black**	-	-	-	1,00	19051
Tubular pistol for universal sealant/adhesive Siga-Meltell® 220 black**	-	-	-	1,30	6891
Installation aid NW 500 (2 pieces required) - due to security reasons no return can be made	-	-	-	6,50	136366

** Consumption for channel type 01: approx. 184 ml per joint.

Factory-made services



Cutting to length
of NW 500



Cutting for gradient
for all nominal widths



Drilling of connecting holes
DN/OD 200



Factory-made insertion
of PVC-U union connectors
DN/OD 200

	Length mm	Width mm	Height mm	Weight kg	Item No.
Cutting to length of NW 500	-	-	-	-	989
Mitre cuts NW 500 (price per cut, two cuts necessary)	-	-	-	0,00	959
Cutting for gradient for all nominal widths	-	-	-	-	890
Drilling of connecting holes DN/OD 200	-	-	-	-	974
Factory-made insertion of PVC-U union connectors DN/OD 200	-	-	-	-	984
Drilling of connection holes DN/OD 315	-	-	-	-	978
Factory-made insertion of PVC-U union connectors DN/OD 315 (incl. drilling)	-	-	-	-	979
Fixing-system EP, empty pipe in the channel bottom, (2 pieces per metre)	-	-	-	-	703
steel bars for fixing system EP (2 pieces per metre)	-	-	-	-	704

FASERFIX KS

Stable and efficient drainage channels for commercial and public areas.



The image shows the exterior of the Museum of the History of Polish Jews in Warsaw at night. The building features a prominent, curved, metallic facade that is illuminated from within, creating a warm glow. To the left, a section of the facade is lit with red light, and a large, illuminated Hebrew inscription is visible. The foreground consists of a cobblestone-paved street with a drainage grate. In the background, other city buildings and streetlights are visible under a dark blue sky.

**Museum of the History
of Polish Jews, Warsaw,
Poland**

FASERFIX KS

Stable and efficient drainage channels for commercial and public areas.

1 Requirements

Drainage channels for commercial and public areas must

- withstand daily traffic by cars and trucks.
- be visually appealing.
- guarantee a simple and safe installation in all surfaces.
- correspond to DIN EN 1433.

2 Application areas

- public and commercial areas
- squares and parks
- railway stations
- parking lots

3 Solutions

Therefore FASERFIX KS channels offer solutions for any type of application in public and commercial areas:

- stable channels made from fibre-reinforced concrete
- high stability, reduced weight
- boltless locking system SIDE-LOCK with additional possibility to lock with locking handle
- corrosion-resistant galvanised or stainless steel angle housing



Public area, Poland



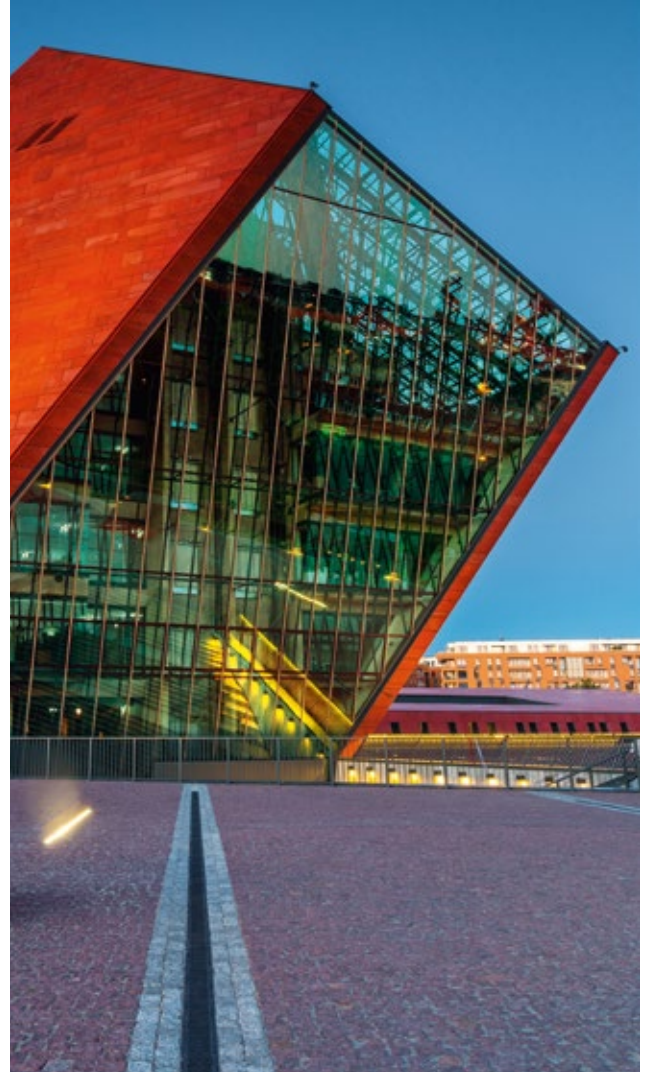
Public area, Poland



Company parking lots, Great Britain



Railway station in Sopot, Poland



Museum in Gdansk, Poland



Johann Wolfgang Goethe University hospital, Frankfurt, Germany

FASERFIX®SUPER
FASERFIX®KS
FASERFIX®BIG SLG
FASERFIX®BIG BL
RECYFIX®PLUS X
RECYFIX®NC
RECYFIX®MONOTEC
RECYFIX®HICAP®F
FASERFIX®POINT KS
SERVICE CHANNEL

FASERFIX KS

Stable and efficient drainage channels for commercial and public sectors.

Architecturally sophisticated ICE congress centre in Krakow with a new reliable drainage system.



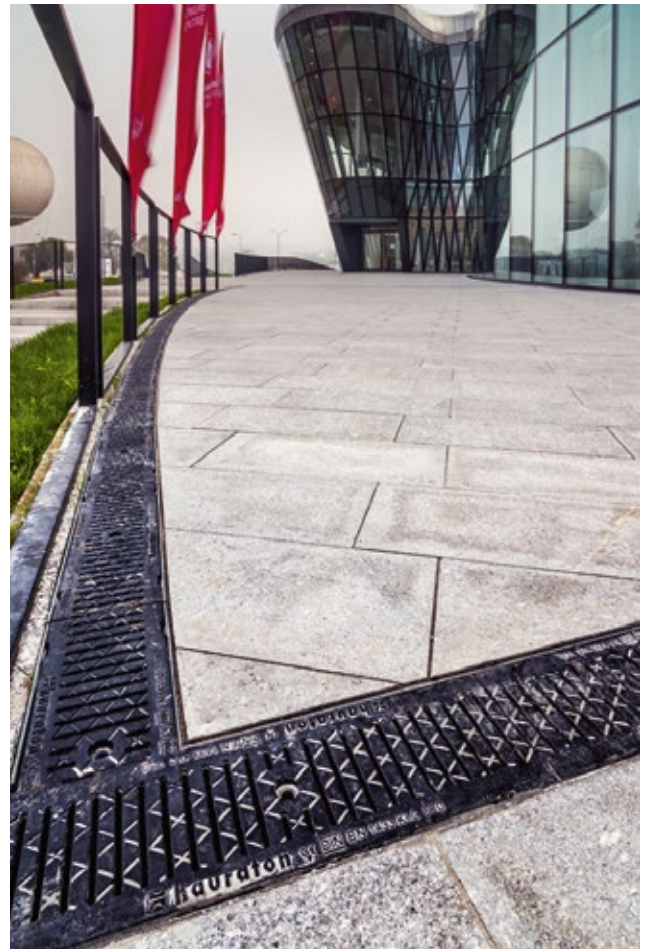
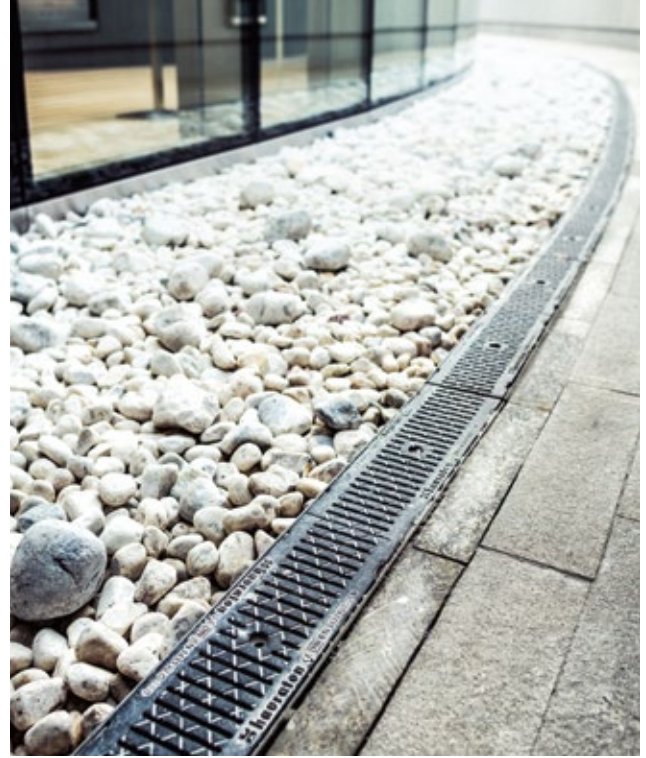
Continuous service for over 13 years:

FASERFIX KS channels offer much more than a reliable and efficient drainage: for the optically sophisticated congress centre in Krakow, the cultural capital of Poland, these represent an ideal solution for modern and unique architecture. Not only because of the 36,000 m² of the conference space and a capacity of 2,000 people in the auditorium does the ICE meet all requirements for international congress organizations. It also has the highest standards in the field of acoustics and stage technology.

Why planners of the ICE in Krakow chose HAURATON:

- attractive design to complement the modern architecture (an impressive shape of the building, facade of glass, titanium, zinc and custom-designed ceramic and stone tiles)
- safe and reliable drainage
- flexible system to suit individual requirements
- T-connections for wiring possible
- high hydraulic performance due to large drainage cross-section
- various products that still result in a harmonious appearance





FASERFIX®SUPER
FASERFIX®KS
FASERFIX®BIG SLG
FASERFIX®BIG BL
RECYFIX®PLUS X
RECYFIX®NC
RECYFIX®MONOTEC
RECYFIX®HICAP®F
FASERFIX®POINT KS
SERVICE CHANNEL

YOUR BENEFITS WITH FASERFIX KS

HIGH PERFORMANCE ANGLE HOUSING & SIDE-LOCK

- 20 mm x 20 mm angle housing and inlaying grating
- extremely stable connection between steel angle housing and concrete channel body
- 10 fixing points for gratings per metre (incl. 2 times with optional locking handle)
- extra protection against lateral movement
- 90 % time savings in fixing the grating with **SIDE-LOCK** (compared to a conventional fixing)
- replace and insert the grating without any special tool, a screwdriver is enough

= **QUALITY ASSURED & COST SAVINGS**



NUMEROUS GRATING OPTIONS

- made of ductile iron, composite, galvanised or stainless steel
- narrow slot width for pedestrian areas available

= **DESIGN FLEXIBILITY**



HIGH STABILITY

- maximum lateral stability through extra thick walls compared to many competitors' products for additional security in extreme situations
- installation for asphalted surface up to class E 600 without concrete stretcher

= **QUALITY- & PERFORMANCE ASSURED**



HIGH-TECH MATERIAL

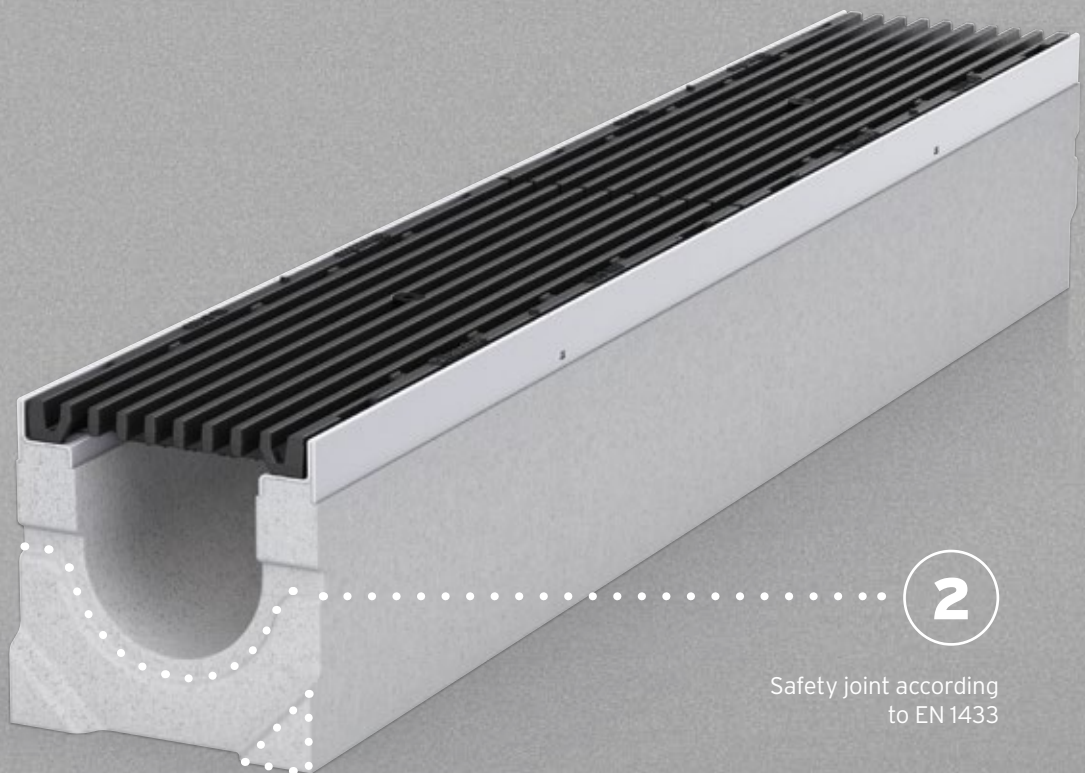
- „Made in Germany“
- maximum stability through fibre - reinforced concrete (polypropylene fibres) with low weight
- adheres well to foundation concrete (same coefficient with regard to thermal expansion)
- installation without grating possible
- fire resistance class A1 (not flammable) according to DIN 4102

= **QUALITY- & PERFORMANCE ASSURED**



IDEAL FOR ...

applications with high loads up to class F 900, such as traffic areas for commercial and public areas.



1

Tongue and groove connection

2

Safety joint according to EN 1433

FASERFIX KS

Stable and efficient drainage channels for commercial and public sectors.

FASERFIX KS channels meet the requirements of DIN EN 1433 and are suitable for the following load categories:



Category A 15,
Load class 15 kN



Category B 125,
Load class 125 kN



Category C 250,
Load class 250 kN



Category D 400,
Load class 400 kN

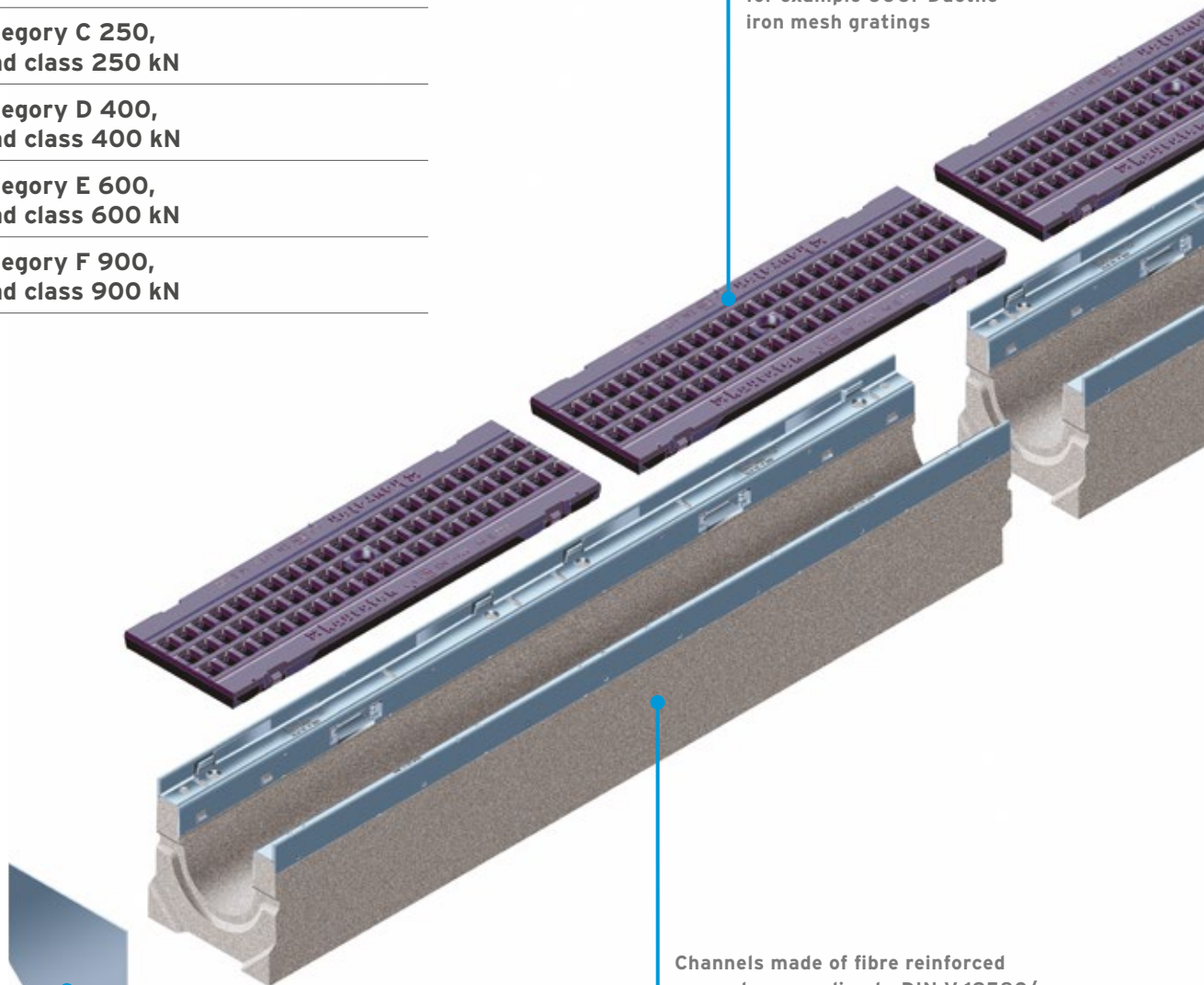


Category E 600,
Load class 600 kN



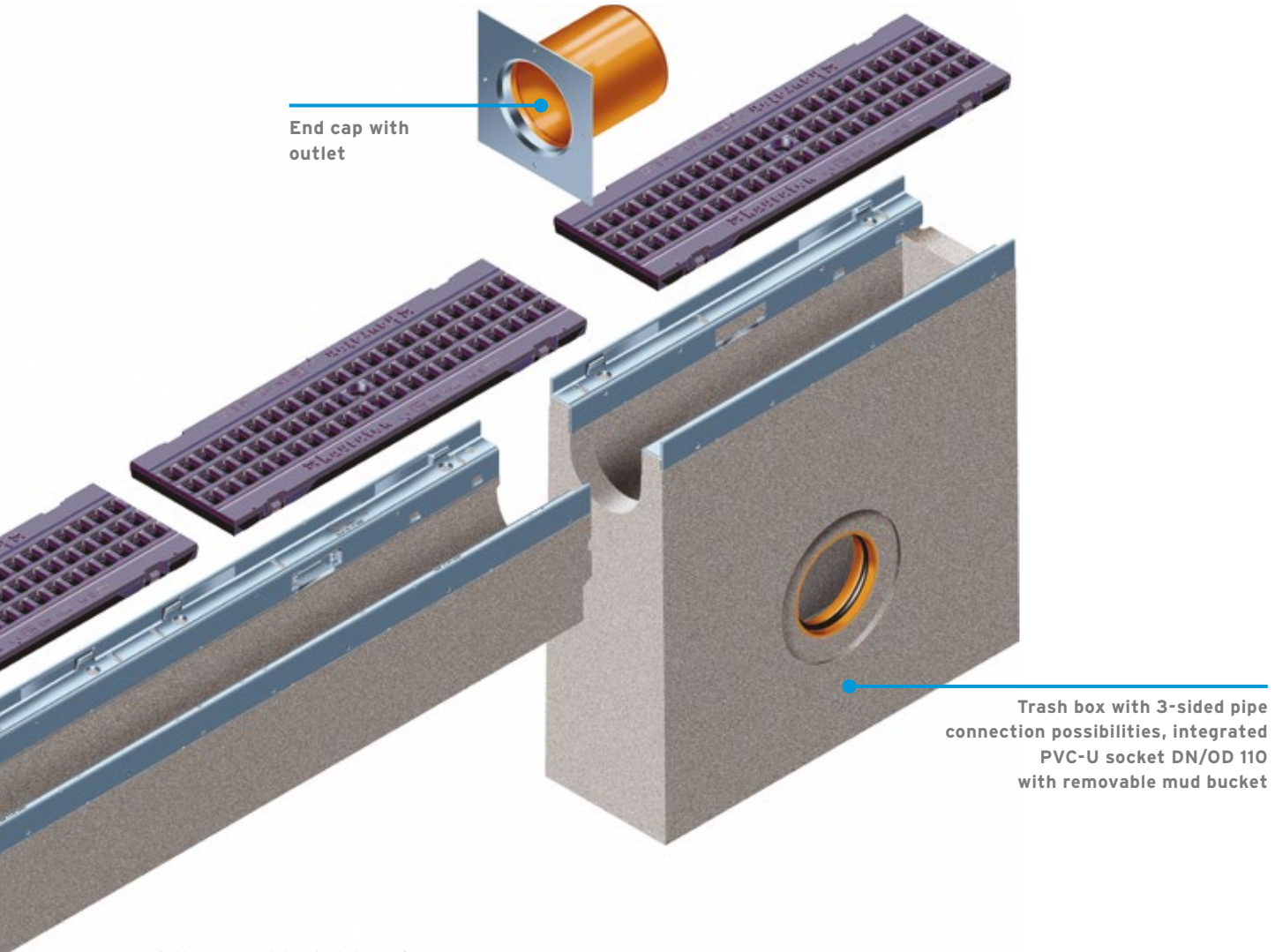
Category F 900,
Load class 900 kN

Numerous grating options,
for example GUGI-Ductile
iron mesh gratings



Channels made of fibre reinforced
concrete, according to DIN V 19580/
EN 1433, CE-conform with safety
joint, steel angle housings and
boltless locking system SIDE-LOCK
with groove and tongue connection
for exact installation

End cap without
outlet



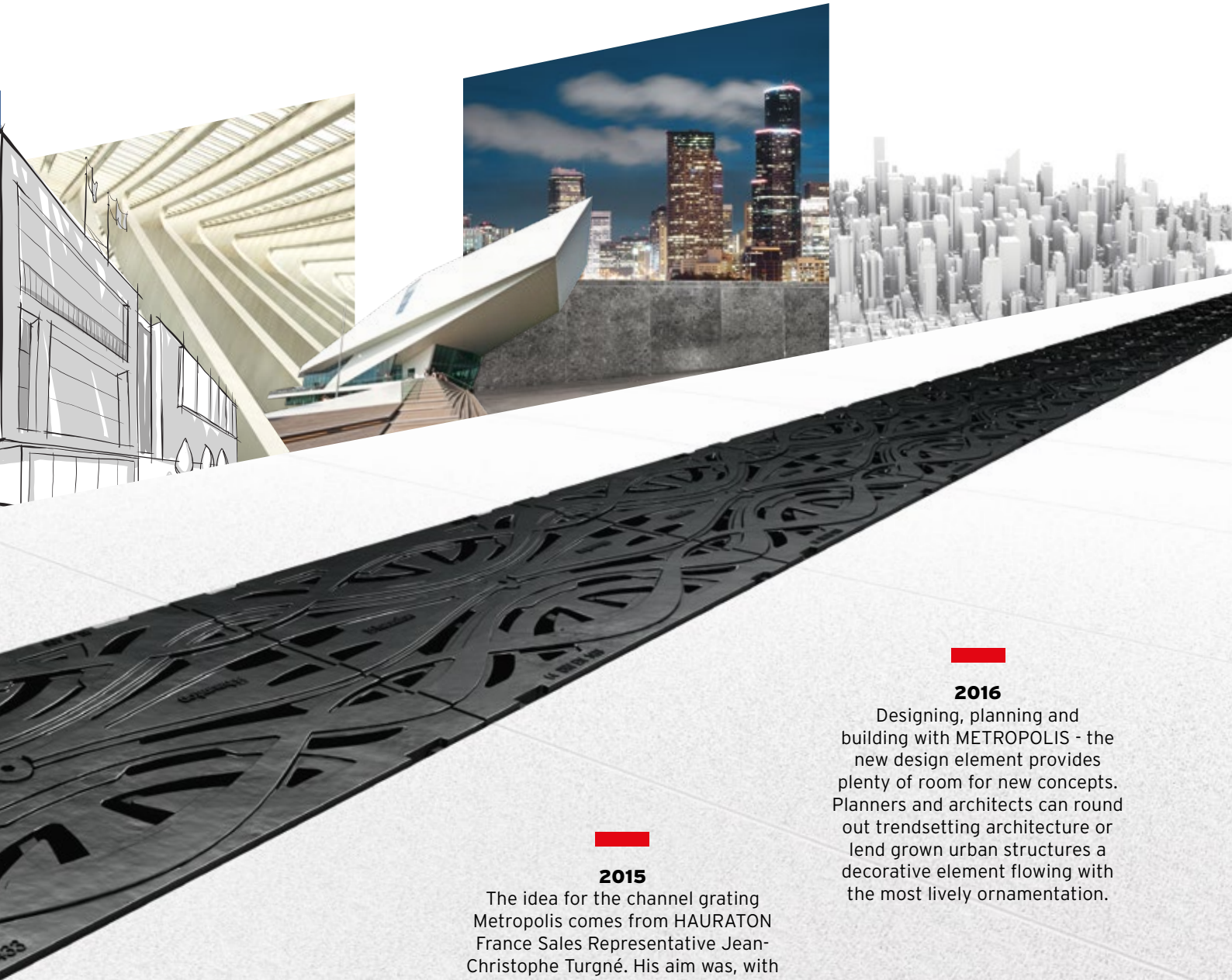
Widths and heights of **FASERFIX KS**:



Nominal sizes	100			150			200			300		
	Width	Height	Inside height	Width	Height	Inside height	Width	Height	Inside height	Width	Height	Inside height
Type 80	160	80	55	-	-	-	-	-	-	-	-	-
Type 100	160	100	75	-	-	-	-	-	-	-	-	-
Type 110	-	-	-	210	110	70	260	110	70	-	-	-
Type 150	-	-	-	210	150	110	260	150	110	-	-	-
Type 200	-	-	-	210	200	160	260	200	160	-	-	-
Type 01	160	160	120	210	220	170	260	275	220	-	-	-
Type 05	160	184	144	-	-	-	-	-	-	-	-	-
Type 010	160	214	174	210	265	215	260	320	265	360	340	270
Type 015	160	244	204	210	290	240	260	345	290	-	-	-
Type 020	160	274	234	210	315	265	260	370	315	-	-	-
available with built-in fall	x			x			x			-		

Width/Height/Inside height (in mm)

- FASERFIX® SUPER
- FASERFIX® KS
- FASERFIX® BIG SLG
- FASERFIX® BIG BL
- RECYFIX® PLUS X
- RECYFIX® NC
- RECYFIX® MONOTEC
- RECYFIX® HICAP® F
- FASERFIX® POINT KS
- SERVICE CHANNEL



1927

The movie 'Metropolis', by Fritz Lang, has influenced various genres since its creation in 1927. With the expressionist representation of a futuristic metropolis, the film producer developed a leitmotif that still inspires artists and designers today.

2015

The idea for the channel grating Metropolis comes from HAURATON France Sales Representative Jean-Christophe Turgné. His aim was, with a functional component such as the drainage channel, to set standards with respect to aesthetics and to impart specific construction projects with futuristic, decorative details.

2016

Designing, planning and building with METROPOLIS - the new design element provides plenty of room for new concepts. Planners and architects can round out trendsetting architecture or lend grown urban structures a decorative element flowing with the most lively ornamentation.

The new style of drainage!

Artistically combined, uniquely attractive: coloured **FIBRETEC** gratings.



FIBRETEC®
Fur, Sand, Stone, Blue



FIBRETEC

The art of drainage has many styles. With the coloured **FIBRETEC** gratings, HAURATON creates a completely new scope of design.

The unique channel gratings in the colours Fern, Sand and Stone can be combined with different materials. Thus, new compositions of colours and textures can always be created. As desired, the coloured FIBRETEC gratings can accentuate the colour composition of the surroundings or harmonize as a complete work of art.



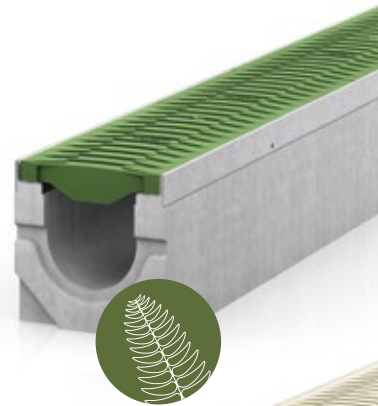
Inspiration for the new gratings was the proven black FIBRETEC which has received various awards since its introduction in 2010. One of these awards is the International Design Award Baden-Württemberg Focus Open.



The production of the coloured FIBRETEC gratings in the colours Fern, Sand and Stone is done with coloured granulate. The result are uniformly coloured gratings which are particularly weather and UV-resistant. This was tested and approved in the laboratory according to DIN EN ISO 4892-2 as required by DIN 19580: The gratings were exposed to artificial weathering for a total of 1,600 hours in the form of xenon arc radiation and irrigation.

The subsequent mechanical tests were very successful - optical changes were hardly measurable. However, slight long-term colour changes in the material cannot be ruled out.

FIBRETEC in Fern



FIBRETEC in Sand



FIBRETEC in Stone

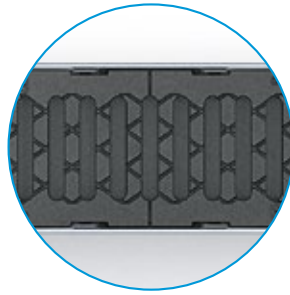


FIBRETEC in Black



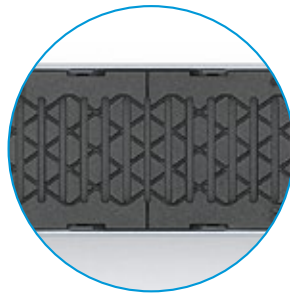
Grating options

FASERFIX KS 100



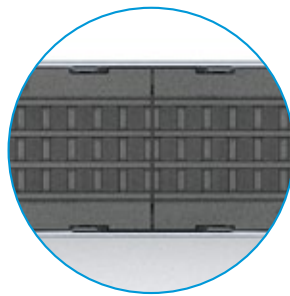
Ductile iron gratings

Slot width: 100 x 14 mm



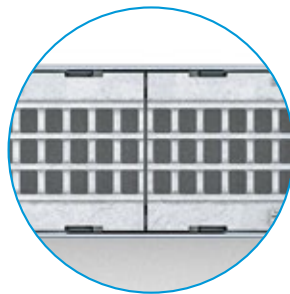
Ductile iron gratings

Slot width: 100 x 6 mm



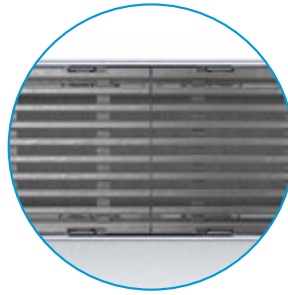
GUGI-Ductile iron mesh gratings

Mesh width: 15 x 25 mm



GUGI-Ductile iron mesh gratings, galvanised

Mesh width: 15 x 25 mm



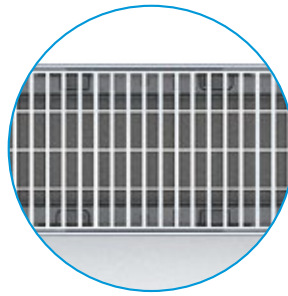
Longitudinal ductile iron grating, KTL

Bar distance: 9 mm



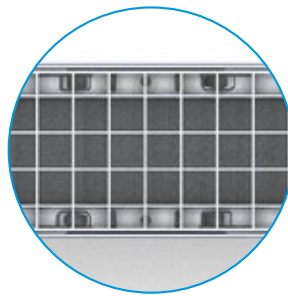
Longitudinal ductile iron grating, galvanised

Bar distance: 9 mm



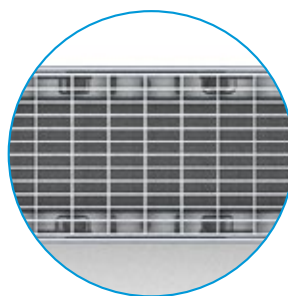
Mesh grating, galvanised

Mesh width: 11 x 30 mm



Mesh grating, galvanised

Mesh width: 30 x 30 mm



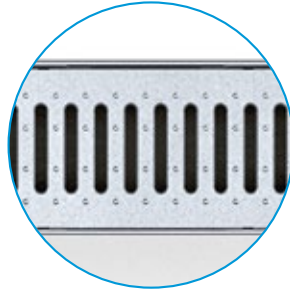
Mesh grating, galvanised

Mesh width: 30 x 10 mm

FASERFIX®SUPER
FASERFIX®KS
FASERFIX®BIG SLG
FASERFIX®BIG BL
RECYFIX®PLUS X
RECYFIX®NC
RECYFIX®MONOTEC
RECYFIX®HICAP®F
FASERFIX®POINT KS
SERVICE CHANNEL

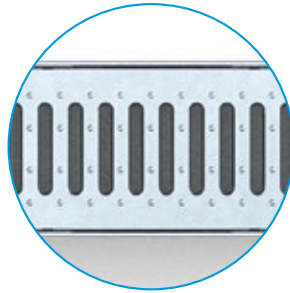
Grating options

FASERFIX KS 100



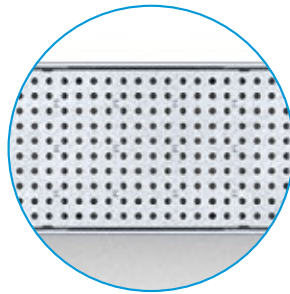
Slotted grating, galvanised

Slot width: 80 x 10 mm



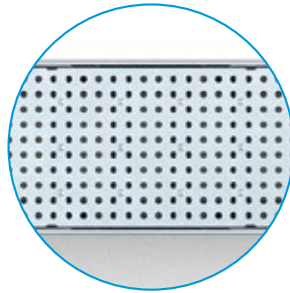
Slotted grating, stainless steel

Slot width: 80 x 10 mm



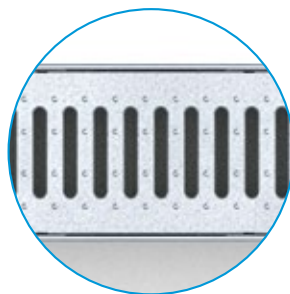
Perforated grating, galvanised

Hole diameter: 6 mm



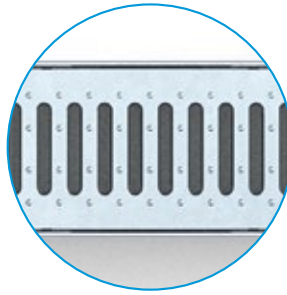
Perforated grating, stainless steel

Hole diameter: 6 mm



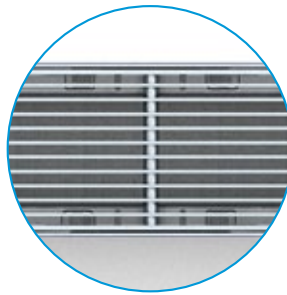
Reinforced slotted grating, galvanised

Slot width: 80 x 10 mm



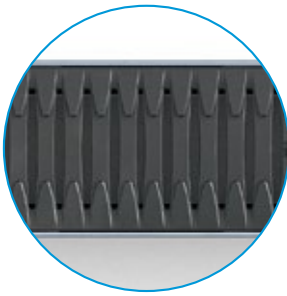
Reinforced slotted grating, stainless steel

Slot width: 80 x 10 mm



Longitudinal slot grating, stainless steel

Bar distance: 10 mm



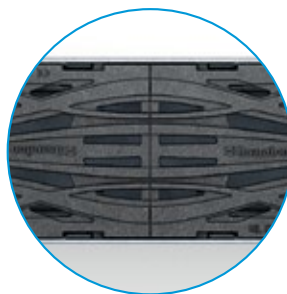
FIBRETEC design slotted grating, composite material

Slot width: 9 mm



GUGI-Ductile iron mesh grating, composite material

Mesh width: 15 x 25 mm



Ductile iron design grating, METROPOLIS, black, KTL

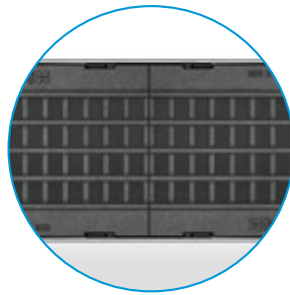
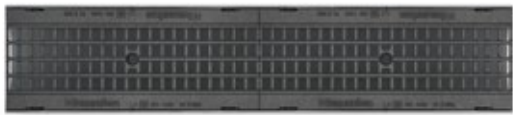
FASERFIX®SUPER
FASERFIX®KS
FASERFIX®BIG SLG
FASERFIX®BIG BL
RECYFIX®PLUS X
RECYFIX®NC
RECYFIX®MONOTEC
RECYFIX®HICAP®F
FASERFIX®POINT KS
SERVICE CHANNEL

Grating options **FASERFIX** KS 150



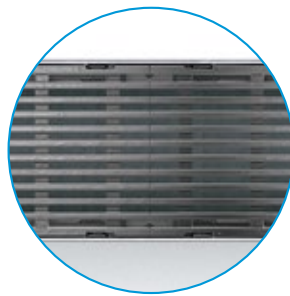
Ductile iron gratings

Slot width: 132 x 20 mm



GUGI-Ductile iron mesh gratings

Mesh width: 15 x 25 mm



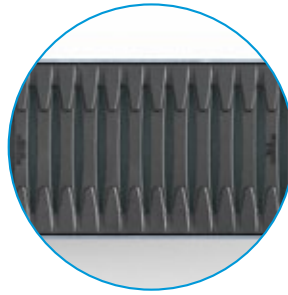
Longitudinal ductile iron grating, KTL

Bar distance: 9 mm



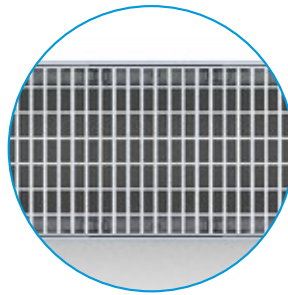
Longitudinal ductile iron grating, galvanised

Bar distance: 9 mm



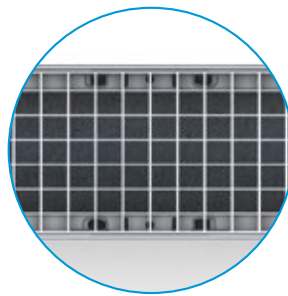
**FIBRETEC design
slotted grating,
black**

Slot width: 9 mm



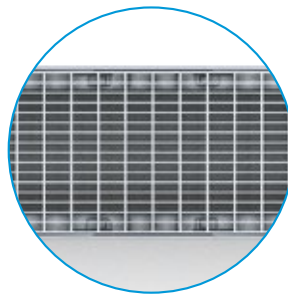
**Mesh grating,
galvanised**

Mesh width: 11 x 30 mm



**Mesh grating,
galvanised**

Mesh width: 30 x 30 mm



**Mesh grating,
galvanised**

Mesh width: 30 x 10 mm

FASERFIX®SUPER

FASERFIX®KS

FASERFIX®BIG SLG

FASERFIX®BIG BL

RECYFIX®PLUS X

RECYFIX®NC

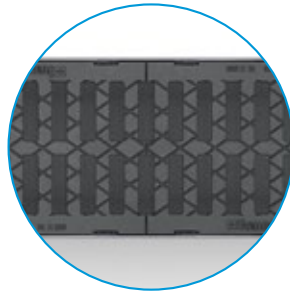
RECYFIX®MONOTEC

RECYFIX®HICAP®F

FASERFIX®POINT KS

SERVICE CHANNEL

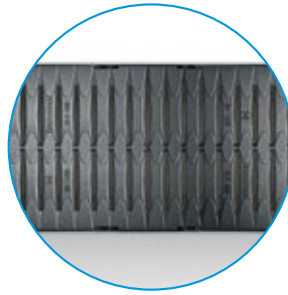
Grating options
FASERFIX KS 150



Ductile iron gratings

Slot width: 2 x 85 x 20 mm

Grating options
FASERFIX KS 200



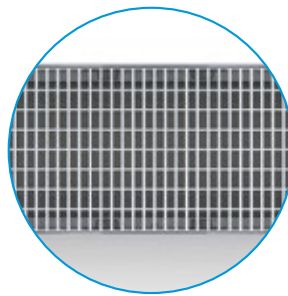
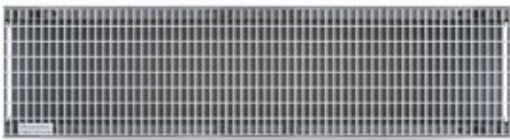
G-TEC Ductile iron grating, KTL

Slot width: 2 x 85 x 9 mm



GUGI-Ductile iron mesh gratings

Mesh width: 15 x 25 mm



Mesh grating, galvanised

Mesh width: 11 x 30 mm



Longitudinal ductile iron grating, galvanised

Bar distance: 9 mm

FASERFIX [®] SUPER
FASERFIX [®] KS
FASERFIX [®] BIG SLG
FASERFIX [®] BIG BL
RECYFIX [®] PLUS X
RECYFIX [®] NC
RECYFIX [®] MONOTEC
RECYFIX [®] HICAP [®] F
FASERFIX [®] POINT KS
SERVICE CHANNEL

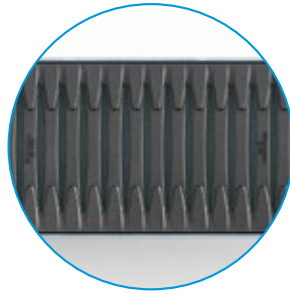
Grating options

FASERFIX KS 200



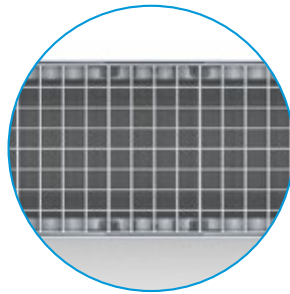
Ductile iron longitudinal grating, KTL

Bar distance: 9 mm



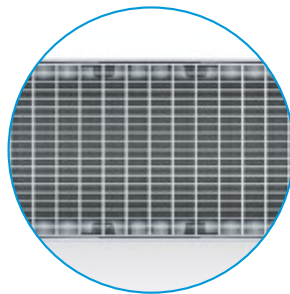
FIBRETEC design slotted grating, composite material

Slot width: 9 mm



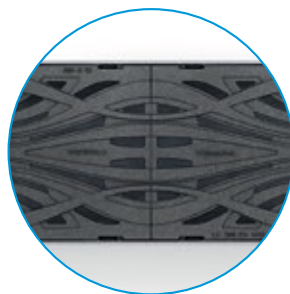
Mesh grating, galvanised

Mesh width: 30 x 30 mm



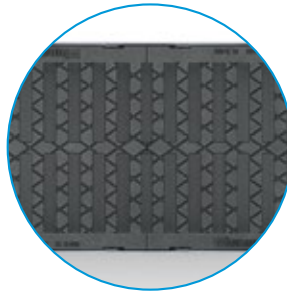
Mesh grating, galvanised

Mesh width: 30 x 10 mm



Ductile iron design grating METROPOLIS

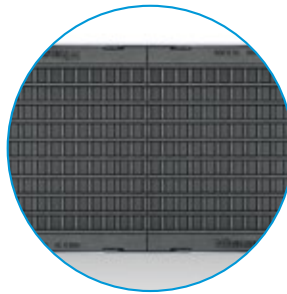
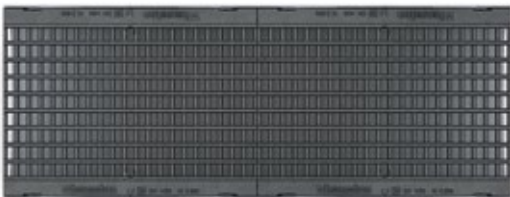
Grating options
FASERFIX KS 300



Ductile iron gratings
Slot width: 2 x 140 x 18 mm



G-TEC Ductile iron grating, KTL
Slot width: 2 x 141 x 9 mm



GUGI-Ductile iron mesh gratings
Mesh width: 15 x 25 mm

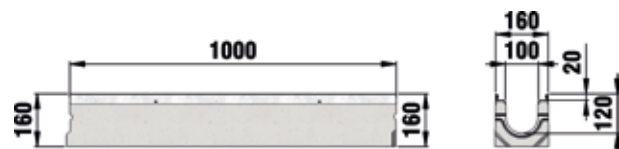
FASERFIX®SUPER
FASERFIX®KS
FASERFIX®BIG SLG
FASERFIX®BIG BL
RECYFIX®PLUS X
RECYFIX®NC
RECYFIX®MONOTEC
RECYFIX®HICAP®F
FASERFIX®POINT KS
SERVICE CHANNEL

FASERFIX®KS 100

Channels

FASERFIX®KS 100 up to load class F 900

Type 01



	Length mm	Width mm	Height mm	Internal channel cross-sect. cm ²	Weight kg	Item-No. galvanised	Item-No. stainless steel
Type 01	1000	160	160	88	33,00	8000	8200
Type 0105	500	160	160	88	16,50	8049	8249
Type 01L with hole DN/OD 110*	1000	160	160	88	32,20	8045	-
Type 05	1000	160	184	113	36,30	8041	-
Type 05L with hole, DN/OD 110*	1000	160	184	113	35,40	8035	-
Type 010	1000	160	214	143	40,20	8042	8242
Type 01005	500	160	214	143	21,50	8050	-
Type 010L with hole DN/OD 110*	1000	160	214	143	39,00	8046	-
Type 015	1000	160	244	173	45,30	8043	8243
Type 015L with hole, DN/OD 110*	1000	160	244	173	45,00	8036	-
Type 020	1000	160	274	206	49,00	8044	8244
Type 020L with hole, DN/OD 110*	1000	160	274	206	48,00	8037	-
Type 80	1000	160	80	34	16,00	1106	1706
Type 100F	1000	160	100	54	19,20	1108	1708
Type 80L, with hole DN/OD 110*	1000	160	80	34	15,30	1137	-
Type 100L, with hole DN/OD 110*	1000	160	100	54	18,60	1138	-

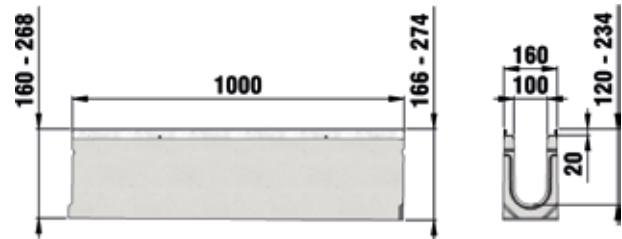
The quality of stainless steel material corresponds to CNS 1.4301 or CNS 1.4307.

* Position of the opening to the bottom of the channel. 100 mm from the centre of the hole (DN/OD 110) to the end of the channel.

FASERFIX®KS 100

FASERFIX®KS 100 with built-in fall 0.6 %, up to load class F 900

Type 1



	Length mm	Width mm	Height mm	Internal channel cross-sect. cm ²	Weight kg	Item-No. galvanised	Item-No. stainless steel
Type 1	1000	160	160 - 166	89	33,00	8001	8201
Type 2	1000	160	166 - 172	95	34,10	8002	8202
Type 3	1000	160	172 - 178	101	34,70	8003	8203
Type 4	1000	160	178 - 184	107	35,60	8004	8204
Type 5	1000	160	184 - 190	113	36,80	8005	8205
Type 6	1000	160	190 - 196	119	37,20	8006	8206
Type 7	1000	160	196 - 202	125	37,90	8007	8207
Type 8	1000	160	202 - 208	131	38,90	8008	8208
Type 9	1000	160	208 - 214	137	39,50	8009	8209
Type 10	1000	160	214 - 220	143	40,00	8010	8210
Type 11	1000	160	220 - 226	149	42,20	8011	8211
Type 12	1000	160	226 - 232	155	43,50	8012	8212
Type 13	1000	160	232 - 238	161	44,00	8013	8213
Type 14	1000	160	238 - 244	167	45,00	8014	8214
Type 15	1000	160	244 - 250	173	45,00	8015	8215
Type 16	1000	160	250 - 256	179	45,50	8016	8216
Type 17	1000	160	256 - 262	185	46,80	8017	8217
Type 18	1000	160	262 - 268	191	47,70	8018	8218
Type 19	1000	160	268 - 274	197	48,00	8019	8219

The quality of stainless steel material corresponds to CNS 1.4301 or CNS 1.4307.

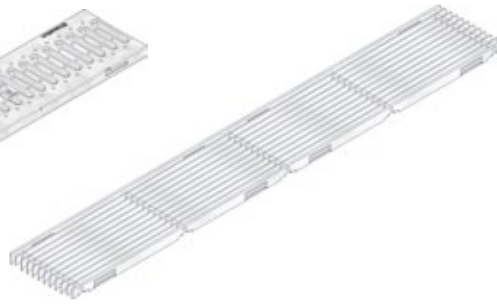
FASERFIX®KS 100

Gratings

FASERFIX®KS 100, class A 15



Slotted grating
SW 10 mm



Longitudinal slot grating,
SW 10 mm, stainless steel

	Length mm	Width mm	Height mm	Intake cross-sect. cm ² /m	Weight kg	Item-No. galvanised	Item-No. stainless steel
Slotted grating SW 10 mm	1000	149	20	278	2,80	8161	8163
Slotted grating SW 10 mm	500	149	20	278	1,30	8162	8164
Longitudinal slot grating, SW 10 mm, stainless steel	1000	149	20	727	5,80	-	8590
Longitudinal slot grating, SW 10 mm, stainless steel	500	149	20	727	2,90	-	8591

The quality of stainless steel material corresponds to CNS 1.4301 or CNS 1.4307.

FASERFIX®KS 100, class B 125



GUGI mesh grating
MW 15/25 mm, black,
made of high-quality
PA-GF (Polyamide)



Mesh grating
MW 30/30 mm, galvanised

	Length mm	Width mm	Height mm	Intake cross-sect. cm ² /m	Weight kg	Item No.
GUGI mesh grating MW 15/25 mm, black, made of high-quality PA-GF (Polyamide)	500	149	20	426	0,90	8099
Mesh grating MW 30/10 mm, galvanised	1000	149	20	716	4,00	8151
Mesh grating MW 30/10 mm, galvanised	500	149	20	716	2,00	8152
Mesh grating MW 30/30 mm, galvanised	1000	149	20	878	3,00	8077
Mesh grating MW 30/30 mm, galvanised	500	149	20	869	1,50	8078

FASERFIX®KS 100

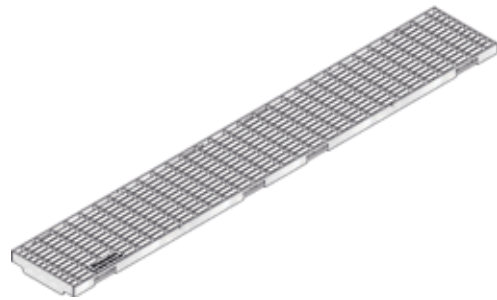
FASERFIX®KS 100, class C 250



Ductile iron grating,
SW 6 mm, black



FIBRETEC design slotted
grating in the colour Black,
SW 9 mm



Mesh grating
MW 30/10 mm

	Length mm	Width mm	Height mm	Intake cross-sect. cm ² /m	Weight kg	Item-No. galvanised	Item-No. stainless steel
Ductile iron grating, SW 14 mm, black	500	149	20	462	3,40	28064	-
Ductile iron grating, SW 14 mm, KTL-coated	500	149	20	462	3,30	8864	-
Ductile iron grating, SW 6 mm, black	500	149	20	280	3,60	28068	-
Ductile iron grating, SW 6 mm, KTL-coated	500	149	20	280	3,60	8868	-
Ductile iron grating, SW 100/6 mm, galvanised	500	149	20	280	3,60	29868	-
Ductile iron grating, SW 100/14 mm, galvanised	500	149	20	462	3,40	29864	-
Longitudinal ductile iron grating SW 9 mm, galvanised	500	149	20	528	3,70	8876	-
Longitudinal ductile iron grating SW 9 mm, KTL-coated	500	149	20	528	3,70	8875	-
FIBRETEC design slotted grating in the colour Black, SW 9 mm	500	149	20	372	1,10	8098	-
FIBRETEC design slotted grating in the colour Sand, SW 9 mm	500	149	20	372	1,10	8100	-
FIBRETEC design slotted grating in the colour Fern, SW 9 mm	500	149	20	372	1,10	8102	-
FIBRETEC design slotted grating in the colour Stone, SW 9 mm	500	149	20	372	1,10	8101	-
Mesh grating MW 30/10 mm	1000	149	20	716	5,00	8154	28577
Mesh grating MW 30/10 mm	500	149	20	716	2,60	8155	28578
Mesh grating MW 30/30 mm, galvanised	1000	149	20	828	4,40	28073	-
Mesh grating MW 30/30 mm, galvanised	500	149	20	819	2,20	28074	-
Reinforced slotted grating, SW 10 mm	1000	149	20	281	5,30	28167	28169
Reinforced slott grating, SW 10 mm	500	149	20	281	2,60	28168	28170
Perforated grating diam. 6 mm	1000	149	20	191	5,30	28171	28177
Perforated grating diam. 6 mm	500	149	20	191	2,60	28172	28178

The quality of stainless steel material corresponds to CNS 1.4301 or CNS 1.4307.

FASERFIX®KS 100

Gratings

FASERFIX®KS 100, class D 400*



Ductile iron design grating,
METROPOLIS, black,
KTL-coated



Ductile iron longitudinal grating,
SW 9 mm, KTL-coated

	Length mm	Width mm	Height mm	Intake cross-sect. cm ² /m	Weight kg	Item No.
Ductile iron grating, SW 14 mm, black	500	149	20	462	3,70	28063
Ductile iron grating, SW 14 mm, KTL-coated	500	149	20	462	3,70	8863
Ductile iron design grating, METROPOLIS, black, KTL-coated	500	149	20	165	5,10	8871
Ductile iron longitudinal grating, SW 9 mm, KTL-coated	500	149	20	528	4,20	8869
Ductile iron longitudinal grating, SW 9 mm, galvanised	500	149	20	528	4,20	8870
Ductile iron grating, SW 100/14 mm, galvanised	500	149	20	462	3,70	29863

* Not for use across the carriageway of highways or motorways in moving traffic.

FASERFIX®KS 100

FASERFIX®KS 100, class E 600



Ductile iron grating,
SW 6 mm, black



GUGI-Ductile iron mesh grating
MW 15/25 mm, black

	Length mm	Width mm	Height mm	Intake cross-sect. cm ² /m	Weight kg	Item-No. galvanised	Item-No. stainless steel
Ductile iron grating, SW 14 mm, black	500	149	20	462	4,10	28062	-
Ductile iron grating, SW 6 mm, black	500	149	20	280	4,10	28066	-
Ductile iron grating, SW 14 mm, KTL-coated	500	149	20	462	4,20	8862	-
Ductile iron grating, SW 6 mm, KTL-coated	500	149	20	280	4,00	8866	-
GUGI-Ductile iron mesh grating, MW 15/25 mm, black	500	149	20	426	4,50	28079	-
GUGI-Ductile iron mesh grating, MW 15/25 mm, KTL-coated	500	149	20	426	4,50	8879	-
GUGI-Ductile iron mesh grating, MW 15/25 mm, galvanised	500	149	20	426	4,60	28080	-
Mesh grating MW 11/30 mm	1000	149	20	695	11,00	28071	28571
Mesh grating MW 11/30 mm	500	149	20	695	5,90	28072	28572

The quality of stainless steel material corresponds to CNS 1.4301 or CNS 1.4307.
Solid ductile iron covers (closed) can be found in the range SERVICE CHANNELS.

FASERFIX®KS 100, class F 900



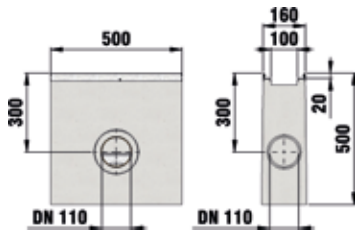
Ductile iron grating
100/14 mm, black

	Length mm	Width mm	Height mm	Intake cross-sect. cm ² /m	Weight kg	Item No.
Ductile iron grating 100/14 mm, black	500	149	20	462	4,50	28061

FASERFIX®KS 100

Accessories

Trash boxes



Trash box with composite bucket

Trash box with galvanised bucket

	Length mm	Width mm	Height mm	Weight kg	Item-No. galvanised	Item-No. stainless steel
Trash box with composite bucket	500	160	500	47,70	8052	8252
Trash box with galvanised bucket	500	160	500	50,00	8053	-

The quality of stainless steel material corresponds to CNS 1.4301 or CNS 1.4307.

FASERFIX®KS 100

End caps



End cap closed,
type 01



End cap closed,
type 010

	Length mm	Width mm	Height mm	Weight kg	Item-No. galvanised	Item-No. stainless steel
End cap closed, type 01	-	160	160	0,40	8081	8181
End cap closed, type 010	-	160	214	0,50	8082	8182
End cap closed, type 020	-	160	274	0,60	8083	8183
End cap closed, type 80	-	160	80	0,20	1181	1681
End cap closed, type 100F	-	160	100	0,20	1183	1683
End cap with horizontal PVC-U pipe outlet DN/OD 110, type 010	-	160	214	0,60	8087	8186
End cap with horizontal PVC-U pipe outlet DN/OD 110, type 020	-	160	274	0,70	8089	8187

The quality of stainless steel material corresponds to CNS 1.4301 or CNS 1.4307.

FASERFIX®KS 100

Accessories

Further accessories



Foul air trap, horizontal,
with rubber sealing, black



Foul air trap DN/OD 110,
outside



Mud bucket vertical
made of modified composite
for outlet DN/OD 110, black



Installation aid NW 100
(2 pieces required) - due to
security reasons no return
can be made

	Length mm	Width mm	Height mm	Weight kg	Item No.
Foul air trap, horizontal, with rubber sealing, black	-	-	-	0,10	966
Foul air trap DN/OD 110, with hole	-	-	103	0,20	964
Foul air trap DN/OD 110, outside	-	-	-	0,40	961
PVC-U pipe outlet, DN/OD 110	-	-	-	0,20	903
PVC mud bucket for trash box, 50 cm	420	85	152	0,20	940
Mud bucket vertical made of modified composite for outlet DN/OD 110, black	100	100	85	0,00	40293
Universal sealant/adhesive Siga-Meltell® 220 black**	-	-	-	1,00	19051
Tubular pistol for universal sealant/adhesive Siga-Meltell® 220 black**	-	-	-	1,30	6891
Locking handle for SUPER KS 100 ductile iron grating	28	117	35	0,10	98210
Installation aid NW 100 (2 pieces required) - due to security reasons no return can be made	-	-	-	1,60	705

** Consumption for channel type 020: approx. 65 ml per joint.

FASERFIX®KS 100

Factory-made services



Cutting to length of NW 100



Mitre cuts NW 100
(price per cut, two cuts necessary)



Cutting for gradient
for all nominal widths



Drilling of connecting holes
DN/OD 75



Factory-made insertion
of PVC-U union connectors
DN/OD 110 (incl. drilling)



Fixing-system EP, empty pipe
in the channel bottom,
(2 pieces per metre)

	Length mm	Width mm	Height mm	Weight kg	Item No.
Cutting to length of NW 100	-	-	-	-	990
Mitre cuts NW 100 (price per cut, two cuts necessary)	-	-	-	-	995
Cutting for gradient for all nominal widths	-	-	-	-	890
Drilling of connecting holes DN/OD 75	-	-	-	-	971
Drilling of connecting holes DN/OD 110	-	-	-	-	972
Factory-made insertion of modified PP union connectors DN/OD 75 (incl. drilling)	-	-	-	-	981
Factory-made insertion of PVC-U union connectors DN/OD 110 (incl. drilling)	-	-	-	-	982
Fixing-system EP, empty pipe in the channel bottom, (2 pieces per metre)	-	-	-	-	703
steel bars for fixing system EP (2 pieces per metre)	-	-	-	-	704

FASERFIX®KS 150

Channels

FASERFIX®KS 150 up to class F 900

Type 01



	Length mm	Width mm	Height mm	Internal channel cross-sect. cm ²	Weight kg	Item-No. galvanised	Item-No. stainless steel
Type 01	1000	210	220	185	54,50	11000	11500
Type 01L, with hole DN/OD 160*	1000	210	220	185	54,00	11035	-
Type 0105	500	210	220	185	27,00	11049	-
Type 010	1000	210	265	245	60,20	11042	11542
Type 010L with hole, DN/OD 160*	1000	210	265	245	61,00	11036	-
Type 015	1000	210	290	282	66,00	11043	-
Type 020	1000	210	315	312	69,60	11044	11544
Type 020L, with opening DN/OD 160*	1000	210	315	312	68,00	11037	-
Type 110**	1000	210	110	74	28,30	2121	-
Type 150**	1000	210	150	134	33,60	2122	-
Type 200**	1000	210	200	208	40,00	2123	-

The quality of stainless steel material corresponds to CNS 1.4301 or CNS 1.4307.

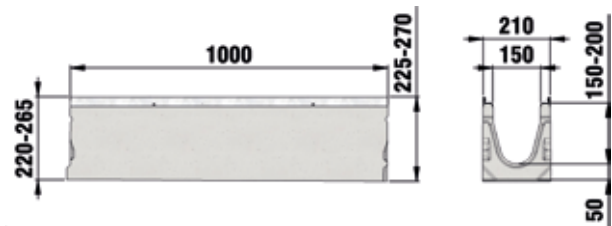
* Position of the opening to the bottom of the channel. 130 mm from the centre of the hole (DN/OD 160) to the end of the channel.

** Suitable for the use in parking areas.

FASERFIX®KS 150

FASERFIX®KS 150 with built-in fall 0.5 %, up to load class F 900

Type 1



	Length mm	Width mm	Height mm	Internal channel cross-sect. cm ²	Weight kg	Item-No. galvanised	Item-No. stainless steel
Type 1	1000	210	220 - 225	186	54,60	11001	11501
Type 2	1000	210	225 - 230	196	55,00	11002	11502
Type 3	1000	210	230 - 235	203	55,90	11003	11503
Type 4	1000	210	235 - 240	211	56,70	11004	11504
Type 5	1000	210	240 - 245	218	57,20	11005	11505
Type 6	1000	210	245 - 250	226	58,00	11006	11506
Type 7	1000	210	250 - 255	233	58,40	11007	11507
Type 8	1000	210	255 - 260	241	59,00	11008	11508
Type 9	1000	210	260 - 265	248	59,80	11009	11509

The quality of stainless steel material corresponds to CNS 1.4301 or CNS 1.4307.

FASERFIX®KS 150

Gratings

FASERFIX®KS 150, class B 125



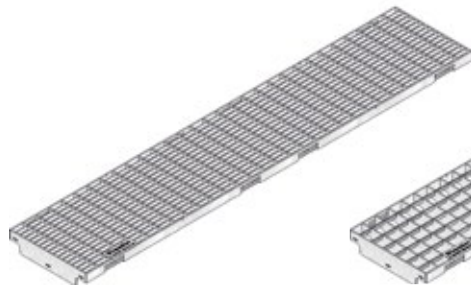
FIBRETEC design slotted grating,
SW 9 mm, black

	Length mm	Width mm	Height mm	Intake cross-sect. cm ² /m	Weight kg	Item No.
FIBRETEC design slotted grating, SW 9 mm, black	500	199	20	500	2,00	47170

FASERFIX®KS 150, class C 250



Ductile iron grating,
SW 20 mm, black



Mesh grating
MW 30/10 mm



Mesh grating
MW 30/30 mm, galvanised

	Length mm	Width mm	Height mm	Intake cross-sect. cm ² /m	Weight kg	Item-No. galvanised	Item-No. stainless steel
Ductile iron grating, SW 20 mm, black	500	199	20	631	4,50	11064	-
Ductile iron grating, SW 20 mm, KTL-coated	500	199	20	631	5,30	11264	-
Ductile iron grating, SW 132/20 mm, galvanised	500	199	20	631	4,50	11364	-
Mesh grating MW 30/10 mm	1000	199	20	1105	7,20	11075	11575
Mesh grating MW 30/10 mm	500	199	20	1105	3,70	11076	11576
Mesh grating MW 30/30 mm, galvanised	1000	199	20	1240	5,90	11073	-
Mesh grating MW 30/30 mm, galvanised	500	199	20	1240	3,40	11074	-

The quality of stainless steel material corresponds to CNS 1.4301 or CNS 1.4307.

FASERFIX®KS 150

FASERFIX®KS 150, class D 400*



Ductile iron grating,
SW 18 mm, black



Longitudinal ductile iron grating,
SW 9 mm, KTL-coated

	Length mm	Width mm	Height mm	Intake cross-sect. cm ² /m	Weight kg	Item No.
Ductile iron grating, SW 18 mm, black	500	199	20	553	5,30	11463
Ductile iron grating, SW 18 mm, KTL-coated	500	199	20	553	5,30	11563
Longitudinal ductile iron grating, SW 9 mm, KTL-coated	500	199	20	740	6,90	11269
Longitudinal ductile iron grating, SW 9 mm, galvanised	500	199	20	740	6,90	11369

* Not for use across the carriageway of highways or motorways in moving traffic.

FASERFIX®KS 150, class E 600



Ductile iron grating
SW 9 mm, black



GUGI-Ductile iron mesh grating
MW 15/25 mm, black



Mesh grating
MW 11/30 mm

	Length mm	Width mm	Height mm	Intake cross-sect. cm ² /m	Weight kg	Item-No. galvanised	Item-No. stainless steel
Ductile iron grating, SW 9 mm, black	500	199	20	557	6,70	11066	-
Ductile iron grating, SW 9 mm, KTL-coated	500	199	20	557	6,70	11266	-
GUGI-Ductile iron mesh grating, MW 15/25 mm, black	500	199	20	716	7,40	11068	-
GUGI-Ductile iron mesh grating, MW 15/25 mm, KTL-coated	500	199	20	716	7,80	11268	-
Mesh grating MW 11/30 mm	1000	199	20	981	18,80	11071	11571
Mesh grating MW 11/30 mm	500	199	20	981	9,70	11072	-

The quality of stainless steel material corresponds to CNS 1.4301 or CNS 1.4307.
Solid ductile iron covers (closed) can be found in the range SERVICE CHANNELS.

FASERFIX®KS 150

Gratings

FASERFIX®KS 150, class F 900



Ductile iron grating,
SW 20 mm, black



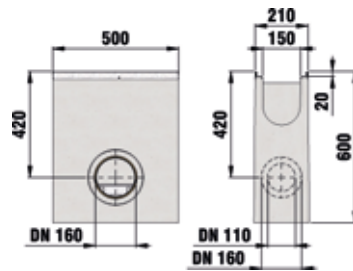
Ductile iron grating,
SW 20 mm, KTL-coated

	Length mm	Width mm	Height mm	Intake cross-sect. cm ² /m	Weight kg	Item No.
Ductile iron grating, SW 20 mm, black	500	199	20	626	7,80	11061
Ductile iron grating, SW 20 mm, KTL-coated	500	199	20	626	7,80	11261

FASERFIX®KS 150

Accessories

Trash boxes



Trash box with galvanised bucket

	Length mm	Width mm	Height mm	Weight kg	Item-No. galvanised	Item-No. stainless steel
Trash box with galvanised bucket	500	210	600	65,30	11052	11552

The quality of stainless steel material corresponds to CNS 1.4301 or CNS 1.4307.

End caps



End cap closed, type 010

End cap with horizontal PVC-U pipe outlet DN/OD 160, type 020

	Length mm	Width mm	Height mm	Weight kg	Item-No. galvanised	Item-No. stainless steel
End cap closed, type 01	-	210	220	0,70	11081	11581
End cap closed, type 010	-	210	265	0,80	11082	11582
End cap closed, type 020	-	210	315	1,00	11083	11583
End cap closed, type 110	-	210	110	0,40	2181	2681
End cap closed, type 150	-	210	150	0,50	2182	-
End cap closed, type 200	-	210	200	0,60	2183	2683
End cap with horizontal PVC-U pipe outlet DN/OD 160, type 01 - 010	-	210	265	1,00	11087	11587
End cap with horizontal PVC-U pipe outlet DN/OD 160, type 020	-	210	315	1,10	11088	11588

The quality of stainless steel material corresponds to CNS 1.4301 or CNS 1.4307.

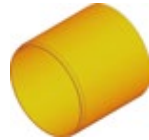
FASERFIX®KS 150

Accessories

Further accessories



Foul air trap
DN/OD 160



PVC-U pipe connection element
DN/OD 160



Mud bucket for outlet
DN/OD 160

	Length mm	Width mm	Height mm	Weight kg	Item No.
Foul air trap DN/OD 160	584	160	439	2,00	960
PVC-U pipe connection element DN/OD 160	-	-	-	0,50	906
Mud bucket for outlet DN/OD 160	-	-	180	0,80	2191
Locking handle for all ductile iron gratings	-	-	-	0,10	98260
Universal sealant/adhesive Siga-Meltell® 220 black**	-	-	-	1,00	19051
Tubular pistol for universal sealant/adhesive Siga-Meltell® 220 black**	-	-	-	1,30	6891
Installation aid NW 150 (2 pieces required) - due to security reasons no return can be made	-	-	-	2,10	136018

** Consumption for channel type 020: approx. 94 ml per joint.

FASERFIX®KS 150

Factory-made services



Cutting to length of NW 150



Cutting for gradient for all nominal widths



Fixing-system EP, empty pipe in the channel bottom, (2 pieces per metre)

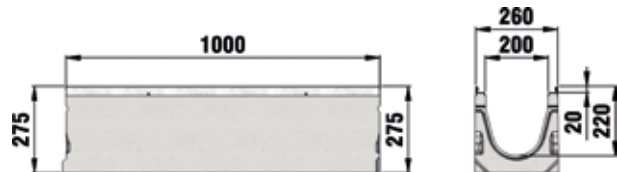
	Length mm	Width mm	Height mm	Weight kg	Item No.
Cutting to length of NW 150	-	-	-	-	991
Mitre cuts NW 150 (price per cut, two cuts necessary)	-	-	-	-	996
Cutting for gradient for all nominal widths	-	-	-	-	890
Drilling of connecting holes DN/OD 160	-	-	-	-	973
Factory-made insertion of PVC-U union connectors DN/OD 160 (incl. drilling)	-	-	-	-	983
Fixing-system EP, empty pipe in the channel bottom, (2 pieces per metre)	-	-	-	-	703
steel bars for fixing system EP (2 pieces per metre)	-	-	-	-	704

FASERFIX®KS 200

Channels

FASERFIX®KS 200 up to load class F 900

Type 01



	Length mm	Width mm	Height mm	Internal channel cross-sect. cm ²	Weight kg	Item-No. galvanised	Item-No. stainless steel
Type 01	1000	260	275	319	79,00	12000	12500
Type 0105	500	260	275	319	39,00	12049	12549
Type 01L with hole DN/OD 160*	1000	260	275	319	79,00	12035	-
Type 010	1000	260	320	409	84,90	12042	12542
Type 010L with hole, DN/OD 160*	1000	260	320	409	88,00	12036	-
Type 015	1000	260	345	462.38	89,00	12043	-
Type 020	1000	260	370	509	91,60	12044	12544
Type 020L with hole, DN/OD 160*	1000	260	370	509	95,00	12037	-
Type 110**	1000	260	110	89	32,50	3121	-
Type 150**	1000	260	150	148	38,50	3122	-
Type 200**	1000	260	200	246	45,50	3123	-

The quality of stainless steel material corresponds to CNS 1.4301 or CNS 1.4307.

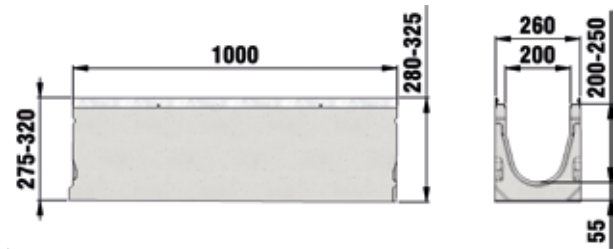
* Position of the opening to the bottom of the channel. 130 mm from the centre of the hole (DN/OD 160) to the end of the channel.

** Suitable for the use in parking areas.

FASERFIX®KS 200

FASERFIX®KS 200 with built-in fall 0.5 %, up to load class F 900

Type 2



	Length mm	Width mm	Height mm	Internal channel cross-sect. cm ²	Weight kg	Item-No. galvanised	Item-No. stainless steel
Type 1	1000	260	275 - 280	324	79,00	12001	12501
Type 2	1000	260	280 - 285	334	79,70	12002	12502
Type 3	1000	260	285 - 290	344	80,50	12003	12503
Type 4	1000	260	290 - 295	354	80,80	12004	12504
Type 5	1000	260	295 - 300	364	81,90	12005	12505
Type 6	1000	260	300 - 305	374	82,40	12006	12506
Type 7	1000	260	305 - 310	384	82,50	12007	12507
Type 8	1000	260	310 - 315	394	83,50	12008	12508
Type 9	1000	260	315 - 320	404	86,00	12009	12509

The quality of stainless steel material corresponds to CNS 1.4301 or CNS 1.4307.

FASERFIX®KS 200

Gratings

FASERFIX®KS 200, class B 125



FIBRETEC design slotted grating in the colour Black, SW 9 mm

	Length mm	Width mm	Height mm	Intake cross-sect. cm ² /m	Weight kg	Item No.
FIBRETEC design slotted grating in the colour Black, SW 9 mm	500	249	20	656	2,11	12098

FASERFIX®KS 200, class C 250



Ductile iron grating,
SW 20 mm, black



Ductile iron grating,
SW 20 mm, KTL-coated



Mesh grating
MW 30/10 mm

	Length mm	Width mm	Height mm	Intake cross-sect. cm ² /m	Weight kg	Item-No. galvanised	Item-No. stainless steel
Ductile iron grating SW 20 mm, black	500	249	20	823	5,60	12064	-
Ductile iron grating, SW 20 mm, KTL-coated	500	249	20	823	5,80	12264	-
Mesh grating MW 30/10 mm	1000	249	20	1500	10,80	12075	12575
Mesh grating MW 30/10 mm	500	249	20	1500	5,50	12076	12576
Mesh grating MW 30/30 mm	1000	249	20	1681	9,20	12073	12573
Mesh grating MW 30/30 mm	500	249	20	1681	4,60	12074	12574

The quality of stainless steel material corresponds to CNS 1.4301 or CNS 1.4307.
Solid ductile iron covers (closed) can be found in the range SERVICE CHANNELS.

FASERFIX®KS 200

FASERFIX®KS 200, class D 400*



G-TEC Ductile iron grating, SW 9 mm, KTL-coated



Ductile iron longitudinal grating SW 9 mm, KTL-coated

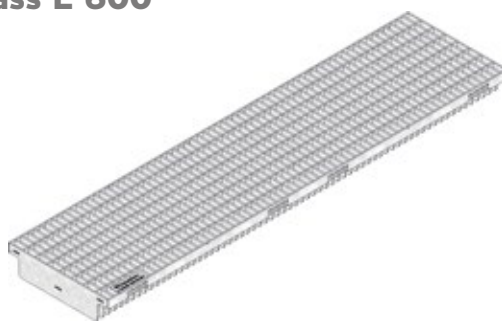
	Length mm	Width mm	Height mm	Intake cross-sect. cm ² /m	Weight kg	Item No.
Ductile iron grating SW 18 mm, black	500	249	20	731	6,80	12463
G-TEC Ductile iron grating, SW 9 mm, KTL-coated	500	249	20	595	8,30	12266
Ductile iron grating SW 18 mm, KTL-coated	500	249	20	823	6,90	12763
Ductile iron design grating METROPOLIS, black, KTL-coated	500	249	20	279	10,70	12275
Ductile iron longitudinal grating SW 9 mm, KTL-coated	500	249	20	951	9,40	12269
Ductile iron longitudinal grating SW 9 mm, galvanised	500	249	20	951	9,40	12369
G-TEC Ductile iron grating SW 2 x 85 x 9 mm, galvanised	500	249	20	595	7,90	12366

* Not for use across the carriageway of highways or motorways in moving traffic.

FASERFIX®KS 200, class E 600



GUGI-Ductile mesh grating MW 15/25 mm, black



Mesh grating MW 11/30 mm

	Length mm	Width mm	Height mm	Intake cross-sect. cm ² /m	Weight kg	Item-No. galvanised	Item-No. stainless steel
GUGI-Ductile mesh grating MW 15/25 mm, black	500	249	20	886	9,50	12068	-
GUGI-Ductile iron mesh grating, MW 15/25 mm, KTL-coated	500	249	20	886	9,70	12268	-
Mesh grating MW 11/30 mm	1000	249	20	1309	28,40	12071	12571
Mesh grating MW 11/30 mm	500	249	20	1309	14,60	12072	12572

The quality of stainless steel material corresponds to CNS 1.4301 or CNS 1.4307.
Solid ductile iron covers (closed) can be found in the range SERVICE CHANNELS.

FASERFIX®KS 200

Gratings

FASERFIX®KS 200, class F 900



Ductile iron grating,
SW 20 mm, black



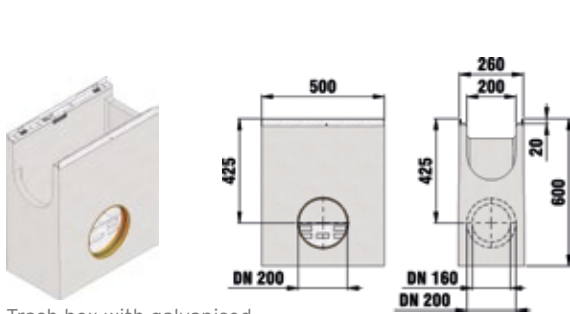
Ductile iron grating,
SW 20 mm, KTL-coated

	Length mm	Width mm	Height mm	Intake cross-sect. cm ² /m	Weight kg	Item No.
Ductile iron grating, SW 20 mm, black	500	249	20	823	10,40	12061
Ductile iron grating, SW 20 mm, KTL-coated	500	249	20	823	10,40	12261

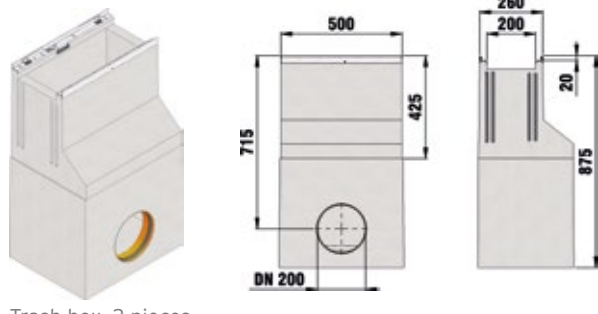
FASERFIX®KS 200

Accessories

Trash boxes



Trash box with galvanised bucket



Trash box, 2-pieces, with galvanised mud bucket

	Length mm	Width mm	Height mm	Weight kg	Item-No. galvanised	Item-No. stainless steel
Trash box with galvanised bucket	500	260	600	72,20	12052	12552
Trash box, 2-pieces, with galvanised mud bucket	500	260	875	177,00	12054	-

The quality of stainless steel material corresponds to CNS 1.4301 or CNS 1.4307.

End caps



End cap closed, FASERFIX KS type 01/ RECYFIX PLUS type 020/ RECYFIX STANDARD type 020



End cap closed, type 010



End cap closed, type 020



End cap with horizontal PVC-U pipe outlet DN/OD 160, galvanised, type 020

	Length mm	Width mm	Height mm	Weight kg	Item-No. galvanised	Item-No. stainless steel
End cap closed, FASERFIX KS type 01/ RECYFIX PLUS type 020/ RECYFIX STANDARD type 020	-	260	275	1,10	12081	12581
End cap closed, type 010	-	260	320	1,20	12082	12582
End cap closed, type 020	-	260	370	1,50	12083	12583
End cap, closed, type 110 F	-	260	110	0,40	3181	3681
End cap, closed, type 150 F	-	260	150	0,60	3182	3682
End cap, closed, type 200 F	-	260	200	0,80	3183	3683
End cap with horizontal PVC-U pipe outlet DN/OD 160, galvanised, type 01 - 010	-	260	320	1,50	12087	12587
End cap with horizontal PVC-U pipe outlet DN/OD 160, galvanised, type 020	-	260	370	1,70	12088	12588

The quality of stainless steel material corresponds to CNS 1.4301 or CNS 1.4307.

FASERFIX®KS 200

Accessories

Further accessories



PVC-Connection
DN/OD 200



Mud bucket for outlet
DN/OD 160

	Length mm	Width mm	Height mm	Weight kg	Item No.
PVC-Connection DN/OD 200	-	-	-	0,80	907
Mud bucket for outlet DN/OD 160	-	-	180	0,80	2191
Locking handle for FASERFIX SUPER KS 200	219	28	-	0,30	98221
Universal sealant/adhesive Siga-Meltell® 220 black**	-	-	-	1,00	19051
Tubular pistol for universal sealant/adhesive Siga-Meltell® 220 black**	-	-	-	1,30	6891
Installation aid NW 200 (2 pieces required) - due to security reasons no return can be made	-	-	-	2,60	136202

** Consumption for channel type O20: approx. 105 ml per joint.

FASERFIX®KS 200

Factory-made services



Cutting to length of NW 200



Cutting for gradient for all nominal widths



Drilling of connecting holes DN/OD 200



Factory-made insertion of PVC-U union connectors DN/OD 200



Fixing-system EP, empty pipe in the channel bottom, (2 pieces per metre)

	Length mm	Width mm	Height mm	Weight kg	Item No.
Cutting to length of NW 200	-	-	-	-	992
Mitre cuts NW 200 (price per cut, two cuts necessary)	-	-	-	-	997
Cutting for gradient for all nominal widths	-	-	-	-	890
Drilling of connecting holes DN/OD 200	-	-	-	-	974
Factory-made insertion of PVC-U union connectors DN/OD 200	-	-	-	-	984
Fixing-system EP, empty pipe in the channel bottom, (2 pieces per metre)	-	-	-	-	703
steel bars for fixing system EP (2 pieces per metre)	-	-	-	-	704

FASERFIX®KS 300

Channels

FASERFIX®KS 300 up to load class E 600

Type 010



	Length mm	Width mm	Height mm	Internal channel cross-sect. cm ²	Weight kg	Item No.
Type 010	1000	360	340	634	117,20	14040

FASERFIX®KS 300

Gratings

FASERFIX®KS 300, class D 400*



Ductile iron grating,
SW 18 mm, black



Ductile iron grating,
SW 18 mm, KTL-coated



G-TEC Ductile iron grating
SW 2 x 141 x 9 mm, KTL-coated

	Length mm	Width mm	Height mm	Intake cross-sect. cm ² /m	Weight kg	Item No.
Ductile iron grating, SW 18 mm, black	500	349	20	1317	12,92	14463
Ductile iron grating, SW 18 mm, KTL-coated	500	349	20	1317	12,50	14763
G-TEC Ductile iron grating SW 2 x 141 x 9 mm, KTL-coated	500	349	20	960	14,88	14266
G-TEC Ductile iron grating SW 2 x 141 x 9 mm, galvanised	500	349	20	960	15,11	14366

* Not for use across the carriageway of highways or motorways in moving traffic.

FASERFIX®KS 300, class E 600



GUGI-Ductile iron mesh grating,
MW 15/25 mm, black



GUGI-Ductile iron mesh grating,
MW 15/25 mm, KTL-coated

	Length mm	Width mm	Height mm	Intake cross-sect. cm ² /m	Weight kg	Item No.
GUGI-Ductile iron mesh grating, MW 15/25 mm, black	500	349	20	1196	18,12	14068
GUGI-Ductile iron mesh grating, MW 15/25 mm, KTL-coated	500	349	20	1196	18,15	14268

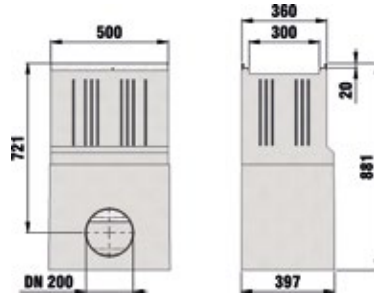
FASERFIX®KS 300

Accessories

Trash boxes



Trash box 2-parts
with galvanized mud bucket



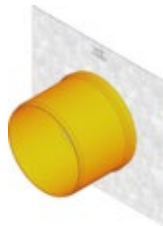
	Length mm	Width mm	Height mm	Weight kg	Item-No. galvanised	Item-No. stainless steel
Trash box 2-parts with galvanized mud bucket	500	360	881	178,50	14054	14554

The quality of stainless steel material corresponds to CNS 1.4301 or CNS 1.4307.

End caps



End cap closed,
type 340



End cap with PVC-U pipe outlet
DN/OD 200

	Length mm	Width mm	Height mm	Weight kg	Item No.
End cap closed, type 340	-	360	340	1,90	14085
End cap with PVC-U pipe outlet DN/OD 200	-	360	340	2,20	14087

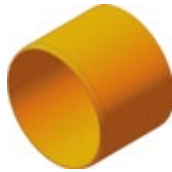
The quality of stainless steel material corresponds to CNS 1.4301 or CNS 1.4307.

FASERFIX®KS 300

Further accessories



Extension part



PVC-Connection
DN/OD 200

	Length mm	Width mm	Height mm	Weight kg	Item No.
Extension part	510	390	400	81,70	4054
PVC-Connection DN/OD 200	-	-	-	0,80	907
Clip-locking handle for SUPER KS 300, galvanised, complete with bolts	-	-	-	0,30	98270
Universal sealant/adhesive Siga-Meltell® 220 black**	-	-	-	1,00	19051
Tubular pistol for universal sealant/adhesive Siga-Meltell® 220 black**	-	-	-	1,30	6891
Installation aid NW 300 (2 pieces required) - due to security reasons no return can be made	-	-	-	3,70	136242

** Consumption for channel type 010: approx. 150 ml per joint.

Factory-made services



Cutting to length of NW 300



Mitre cuts NW 300
(price per cut, two cuts
necessary)



Cutting for gradient
for all nominal widths



Drilling of connecting holes
DN/OD 200



Factory-made insertion
of PVC-U union connectors
DN/OD 200



Fixing-system EP, empty pipe
in the channel bottom,
(2 pieces per metre)

	Length mm	Width mm	Height mm	Weight kg	Item No.
Cutting to length of NW 300	-	-	-	-	993
Mitre cuts NW 300 (price per cut, two cuts necessary)	-	-	-	-	998
Cutting for gradient for all nominal widths	-	-	-	-	890
Drilling of connecting holes DN/OD 200	-	-	-	-	974
Factory-made insertion of PVC-U union connectors DN/OD 200	-	-	-	-	984
Drilling of connection holes DN/OD 315	-	-	-	-	978
Factory-made insertion of PVC-U union connectors DN/OD 315 (incl. drilling)	-	-	-	-	979
Fixing-system EP, empty pipe in the channel bottom, (2 pieces per metre)	-	-	-	-	703
steel bars for fixing system EP (2 pieces per metre)	-	-	-	-	704

FASERFIX BIG SLG

Linear drainage with ductile iron channel edge plates for highest wear resistance.



**Logistics area at the
JTI high-bay warehouse
in Trier, Germany**



FASERFIX BIG SLG

Linear drainage with protection of concrete casing for maximum wear resistance.

1 Requirements

Drainage channels for heavy traffic areas have to

- withstand strong dynamic forces and extreme loads
- be particularly stable and long-lasting
- be resistant to environmental effects (frost, heat, water)
- comply with DIN EN 1433

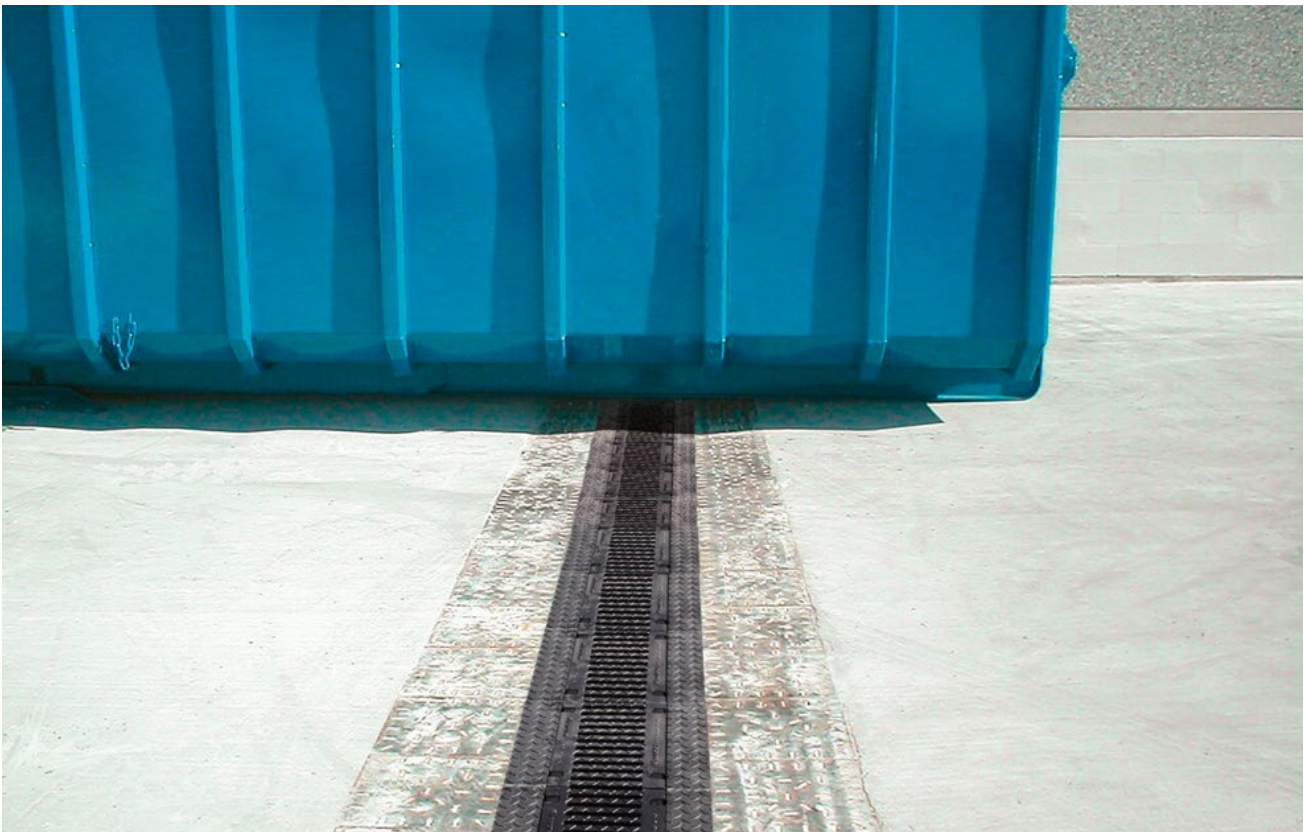
2 Application areas

- ports
- warehouse yards
- industrial road surfaces
- container stations
- airports

3 Solution

For this reason, FASERFIX BIG SLG channels are suitable for the drainage of heavy traffic areas:

- solid channels made of fibre-reinforced concrete
- angle housing and protection of concrete casing consist of durable, KTL coated ductile iron
- load classes D 400, E 600 and F 900 to DIN EN 1433
- gratings are held very securely in the angle housing due to 40 mm insertion depth
- nominal widths from 100 to 300 mm
- gratings are securely fixed with 8 bolt fixings per metre



Very strong hence able to withstand heavy point loads



Robust and wear-resistant ductile iron protection of concrete casing



Easy to install due to integrated concrete casing



Maximum traffic safety due to 8-fold bolted grating



Long service life also when exposed to heavy loads as in airports

FASERFIX®SUPER
FASERFIX®KS
FASERFIX®BIG SLG
FASERFIX®BIG BL
RECYFIX®PLUS X
RECYFIX®NC
RECYFIX®MONOTEC
RECYFIX®HICAP®F
FASERFIX®POINT KS
SERVICE CHANNEL

YOUR BENEFITS WITH **FASERFIX BIG SLG**

ANGLE HOUSINGS

- corrosion protection with KTL coating
- 40 mm inlaying depth = extremely secure
- 8-fold bolt connection
- 8-fold shearing protection

= QUALITY ASSURED



ROBUST CONCRETE STRETCHER

- KTL-coated ductile iron surface
- integrated concrete stretcher saves formwork during installation
- sits firmly in position
- channels can be used immediately after installation

= QUALITY ASSURED / COST SAVINGS



HIGH-QUALITY MATERIAL

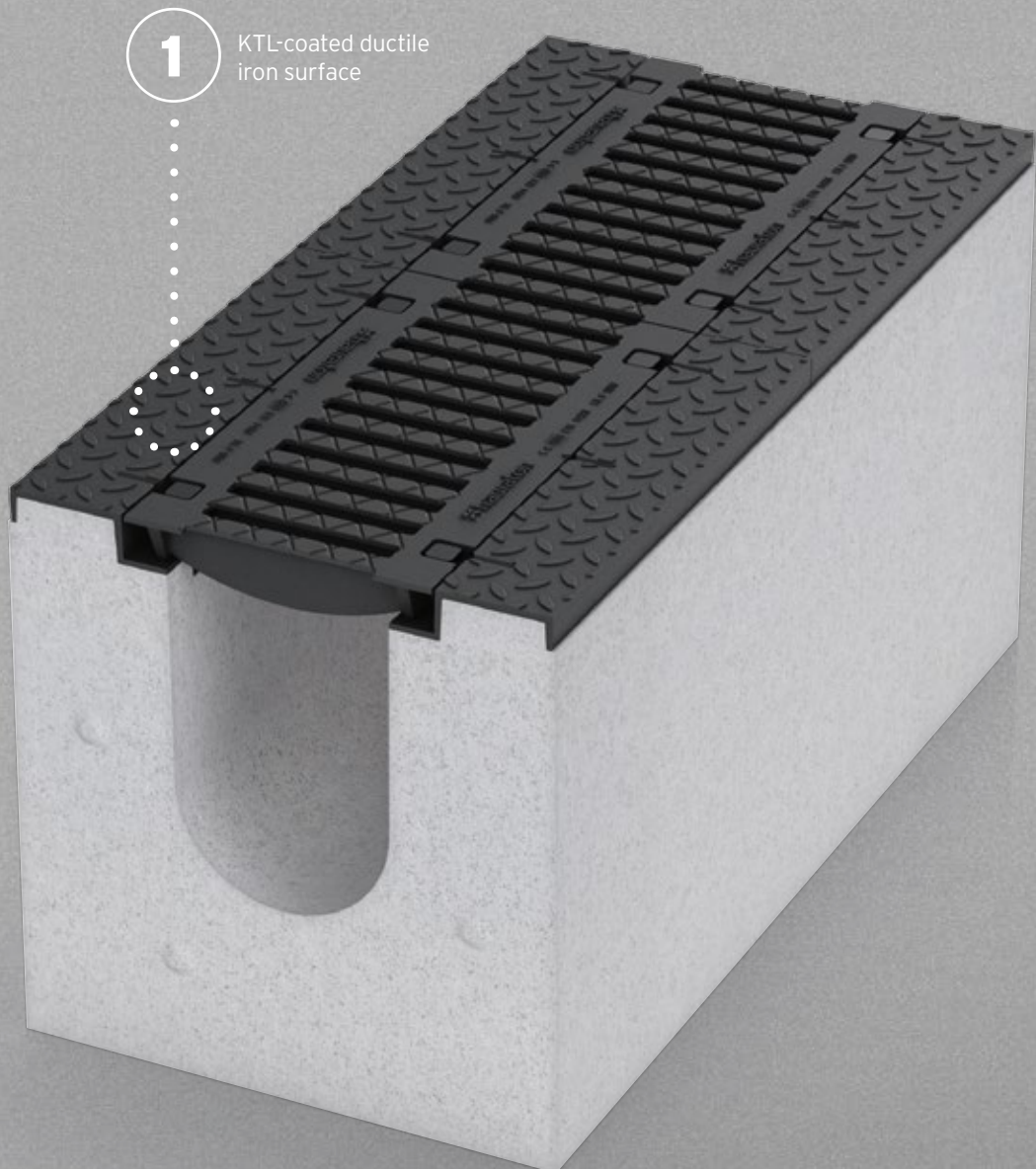
- made of fibre-reinforced concrete
- fire resistance class A1 (non-flammable) according to DIN 4102
- intrinsically robust channel body, installation without grating

= QUALITY ASSURED



IDEAL FOR ...

strong, dynamic loads and extreme loads in heavy traffic areas such as storage areas, container sites and industrial and port facilities.



FASERFIX BIG SLG

Linear drainage with protection of concrete casing for maximum wear resistance.

FASERFIX BIG SLG channels comply with DIN EN 1433 and are suitable for the following load classes:



Class D 400, test force 400 kN

Roadways (including pedestrian), hard shoulders of roads and parking lots which are approved for use by all types of road vehicles.



Class E 600, test force 600 kN

Surfaces exposed to heavy wheel loads, e. g. ports and docks



Class F 900, test force 900 kN

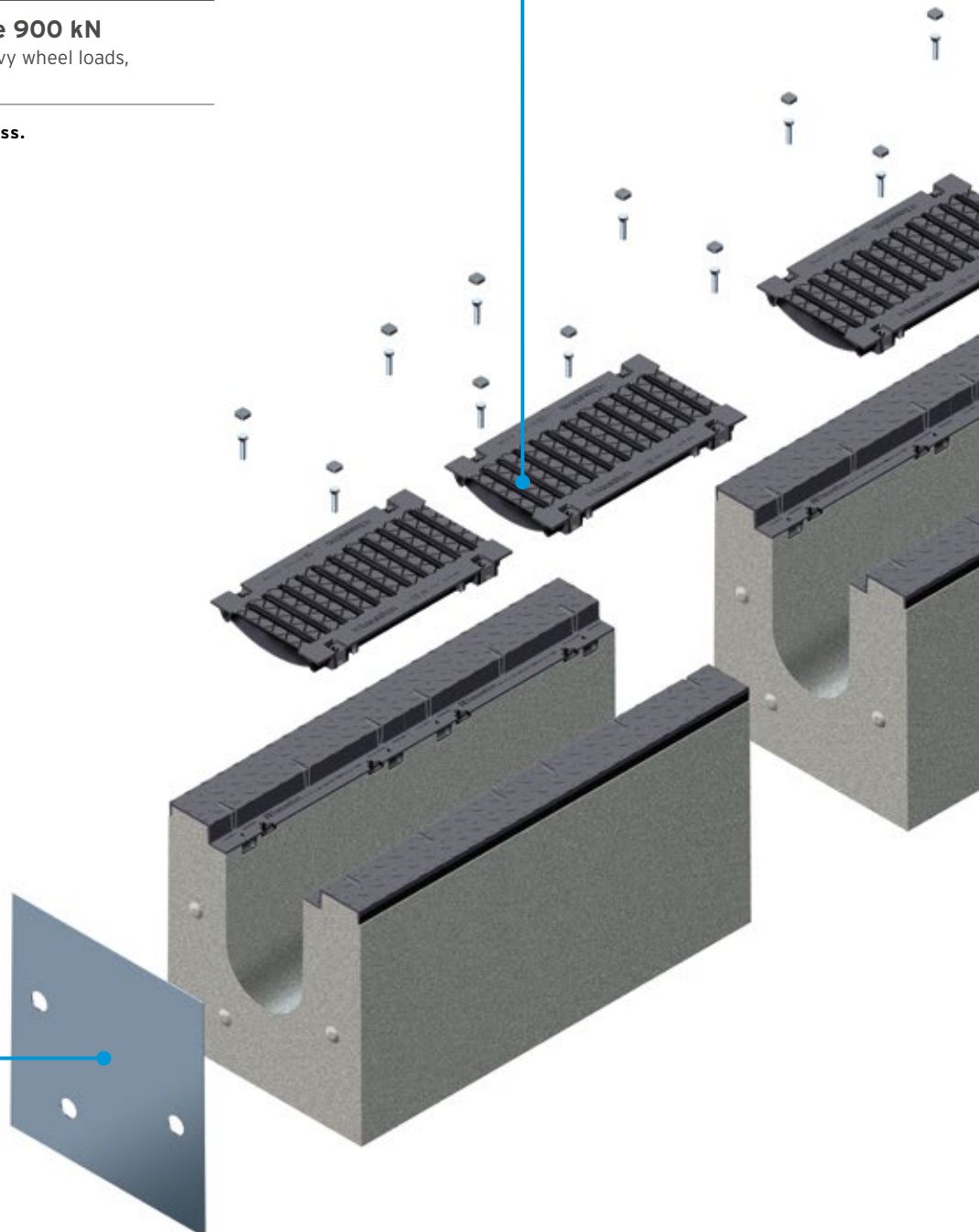
Surfaces exposed to very heavy wheel loads, e. g. airport areas.

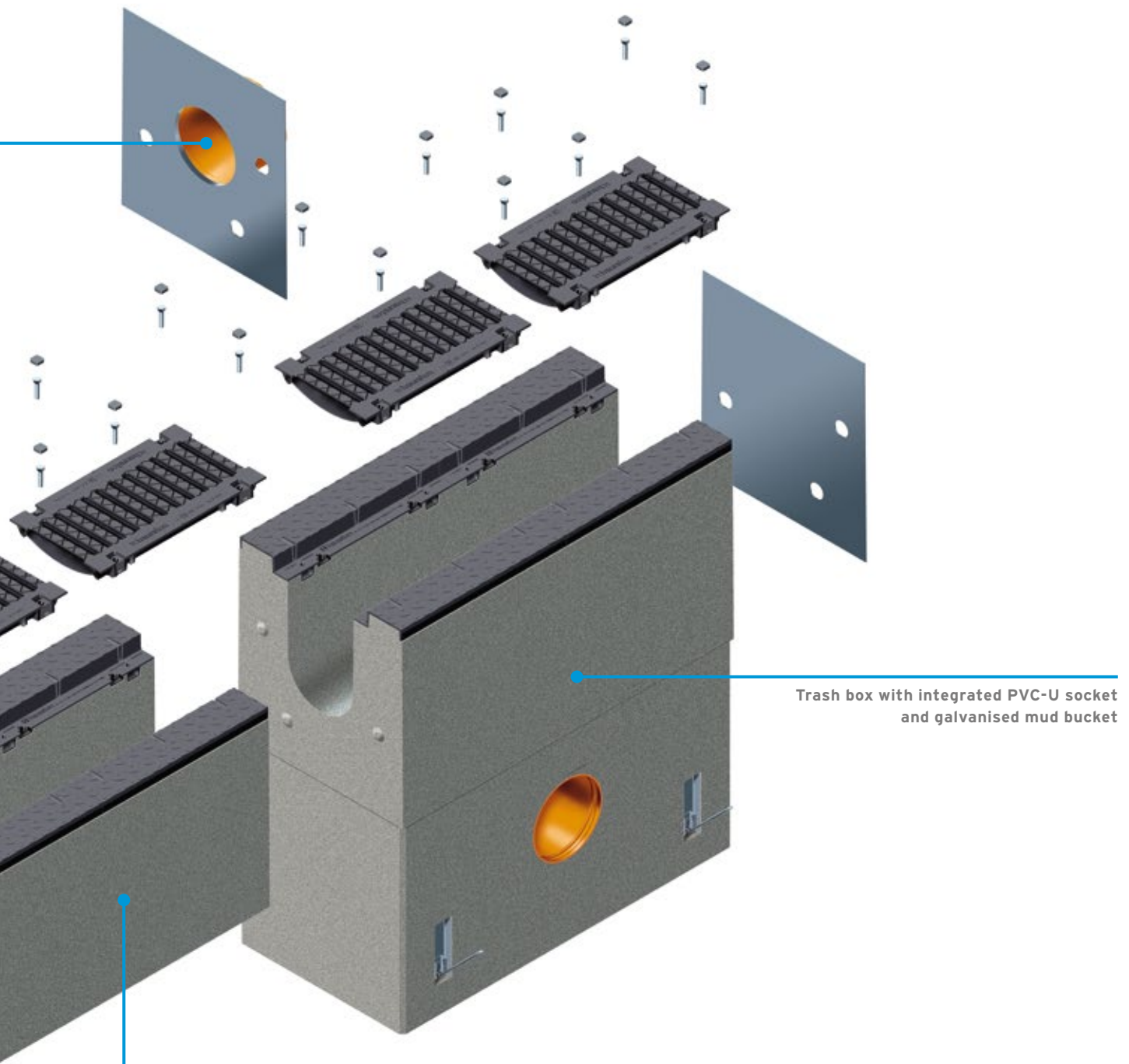
If in doubt, always select the higher class.

End cap
with outlet

Stable gratings
made of ductile iron

End cap
without outlet





Trash box with integrated PVC-U socket and galvanised mud bucket

Bespoke channels made of fibre-reinforced concrete, according to DIN EN 1433, CE-conform, with safety joint, with durable ductile iron edge protection and 8-fold bolted grating

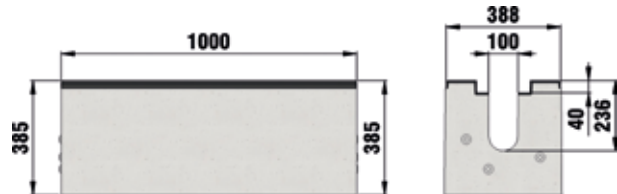
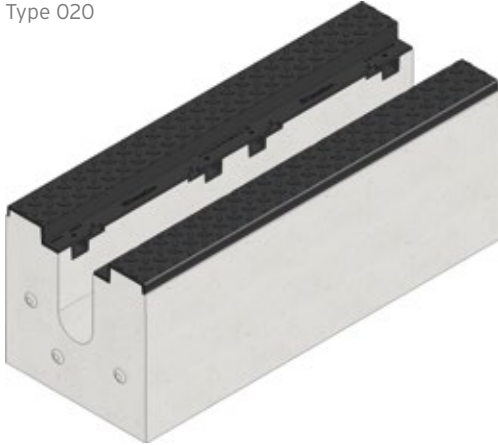
FASERFIX®SUPER
FASERFIX®KS
FASERFIX®BIG SLG
FASERFIX®BIG BL
RECYFIX®PLUS X
RECYFIX®NC
RECYFIX®MONOTEC
RECYFIX®HICAP®F
FASERFIX®POINT KS
SERVICE CHANNEL

FASERFIX®BIG SLG 100

Channels

FASERFIX®BIG SLG 100, up to class F 900

Type 020



	Length mm	Width mm	Height mm	Internal channel cross-sect. cm ²	Weight kg	Item No.
Type 020	1000	388	385	181	306,00	1480

Bolting required - see further accessories

FASERFIX®BIG SLG 100

Gratings

FASERFIX®BIG SLG 100, class D 400*



Ductile iron grating, SW 94/16 mm, black, with plastic caps



Ductile iron grating, SW 94/16 mm, KTL-coated, with plastic caps

	Length mm	Width mm	Height mm	Intake cross-sect. cm ² /m	Weight kg	Item No.
Ductile iron grating, SW 94/16 mm, black, with plastic caps	500	179	40	360	5,90	6063
Ductile iron grating, SW 94/16 mm, KTL-coated, with plastic caps	500	179	40	360	6,10	6663

* Not for use across the carriageway of highways or motorways in moving traffic.

FASERFIX®BIG SLG 100, class F 900



GUGI-Ductile iron mesh grating, MW 15/25 mm, black, with plastic caps



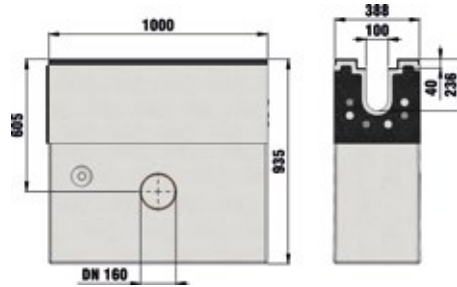
GUGI-Ductile iron mesh grating, MW 15/25 mm, KTL-coated, with plastic caps

	Length mm	Width mm	Height mm	Intake cross-sect. cm ² /m	Weight kg	Item No.
GUGI-Ductile iron mesh grating, MW 15/25 mm, black, with plastic caps	500	179	40	494	7,60	6060
GUGI-Ductile iron mesh grating, MW 15/25 mm, KTL-coated, with plastic caps	500	179	40	494	7,60	6660

FASERFIX® BIG SLG 100

Accessories

Trash boxes



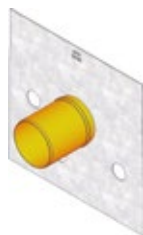
Trash box element, 2-parts,
with PVC-U socket and galvanised
mud bucket

	Length mm	Width mm	Height mm	Weight kg	Item No.
Trash box element, 2-parts, with PVC-U socket and galvanised mud bucket	1000	388	935	778,00	1857

End caps



End cap closed,
type 020



End cap with horizontal
PVC-U pipe outlet DN/OD 110,
type 020

	Length mm	Width mm	Height mm	Weight kg	Item-No. galvanised	Item-No. stainless steel
End cap closed, type 020	-	388	383	2,30	1886	1883
End cap with horizontal PVC-U pipe outlet DN/OD 110, type 020	-	388	383	2,40	1899	1896

The quality of stainless steel material corresponds to CNS 1.4301 or CNS 1.4307.

FASERFIX®BIG SLG 100

Further accessories



Foul air trap DN/OD 110, outside



Installation aid NW 100 (2 pieces required) - due to security reasons no return can be made

	Length mm	Width mm	Height mm	Weight kg	Item No.
Hexagon bolt with locking serration, stainless steel, M 10 x 50	-	-	-	0,00	99938
Caps for hexagon bolts	24	24	7	-	91100
Foul air trap DN/OD 110, outside	-	-	-	0,40	961
PVC-U pipe outlet, DN/OD 110	-	-	-	0,20	903
Universal sealant/adhesive Siga-Meltell® 220 black**	-	-	-	1,00	19051
Tubular pistol for universal sealant/adhesive Siga-Meltell® 220 black**	-	-	-	1,30	6891
Installation aid NW 100 (2 pieces required) - due to security reasons no return can be made	-	-	-	1,60	705

**** Consumption of sealing material: approx. 99 ml per joint.**

Factory-made services



Cutting to length



Mitre cuts (price per cut, two cuts necessary)



Drilling of connection holes



Inserting of PVC union connectors

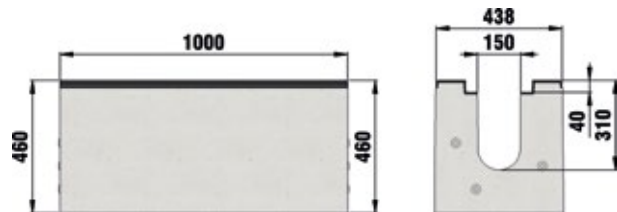
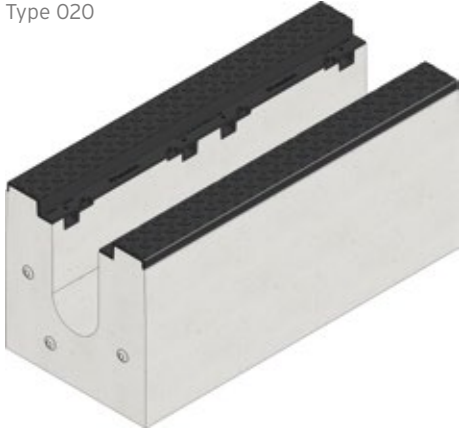
	Length mm	Width mm	Height mm	Weight kg	Item No.
Cutting to length	-	-	-	-	891
Mitre cuts (price per cut, two cuts necessary)	-	-	-	-	892
Drilling of connection holes	-	-	-	-	893
Inserting of PVC union connectors	-	-	-	-	894

FASERFIX®BIG SLG 150

Channels

FASERFIX®BIG SLG 150, up to class F 900

Type 020



	Length mm	Width mm	Height mm	Internal channel cross-sect. cm ²	Weight kg	Item No.
Type 020	1000	438	460	383	370,00	2480

Bolting required - see further accessories

FASERFIX®BIG SLG 150

Gratings

FASERFIX®BIG SLG 150, class D 400*



Ductile iron grating, SW 150/18 mm, black, with plastic caps



Ductile iron grating, SW 170/18 mm, black, KTL-coated, with plastic caps

	Length mm	Width mm	Height mm	Intake cross-sect. cm ² /m	Weight kg	Item No.
Ductile iron grating, SW 150/18 mm, black, with plastic caps	500	229	40	624	7,45	2463
Ductile iron grating, SW 170/18 mm, black, KTL-coated, with plastic caps	500	229	40	624	7,45	2483

* Not for use across the carriageway of highways or motorways in moving traffic.

FASERFIX®BIG SLG 150, class E 600



GUGI-Ductile iron mesh grating, MW 15/25 mm, black, with plastic caps

	Length mm	Width mm	Height mm	Intake cross-sect. cm ² /m	Weight kg	Item No.
GUGI-Ductile iron mesh grating, MW 15/25 mm, black, with plastic caps	500	229	40	628	11,50	2068

FASERFIX®BIG SLG 150

Gratings

FASERFIX®BIG SLG 150, class F 900



Ductile iron grating
SW 20 mm, black,
with plastic caps



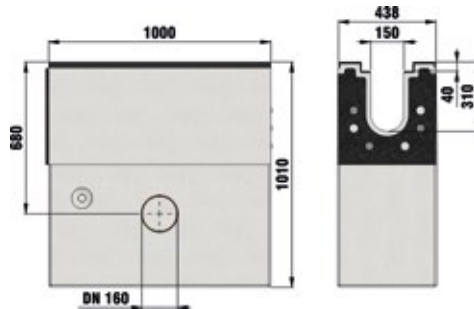
Ductile iron grating
SW 20 mm, KTL-coated,
with plastic caps

	Length mm	Width mm	Height mm	Intake cross-sect. cm ² /m	Weight kg	Item No.
Ductile iron grating SW 20 mm, black, with plastic caps	500	229	40	710	9,90	2061
Ductile iron grating SW 20 mm, KTL-coated, with plastic caps	500	229	40	710	9,90	2861

FASERFIX®BIG SLG 150

Accessories

Trash boxes



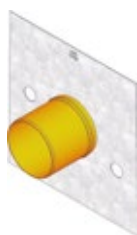
Trash box element, 2-parts,
with PVC-U socket and galvanised
mud bucket

	Length mm	Width mm	Height mm	Weight kg	Item No.
Trash box element, 2-parts, with PVC-U socket and galvanised mud bucket	1000	438	1010	904,00	2957

End caps



End cap closed,
type 020



End cap with horizontal
PVC-U pipe outlet DN/OD 160,
type 020

	Length mm	Width mm	Height mm	Weight kg	Item-No. galvanised	Item-No. stainless steel
End cap closed, type 020	-	438	458	3,10	2986	2983
End cap with horizontal PVC-U pipe outlet DN/OD 160, type 020	-	438	458	3,30	2999	2996

The quality of stainless steel material corresponds to CNS 1.4301 or CNS 1.4307.

FASERFIX® BIG SLG 150

Accessories

Further accessories



Foul air trap DN/OD 160



PVC-U pipe connection element
DN/OD 160

	Length mm	Width mm	Height mm	Weight kg	Item No.
Hexagon bolt with locking serration, stainless steel, M 10 x 50	-	-	-	0,00	99938
Caps for hexagon bolts	24	24	7	-	91100
Foul air trap DN/OD 160	584	160	439	2,00	960
PVC-U pipe connection element DN/OD 160	-	-	-	0,50	906
Universal sealant/adhesive Siga-Meltell® 220 black**	-	-	-	1,00	19051
Tubular pistol for universal sealant/adhesive Siga-Meltell® 220 black**	-	-	-	1,30	6891
Installation aid NW 150 (2 pieces required) - due to security reasons no return can be made	-	-	-	2,10	136018

**** Consumption of sealing material: approx. 112 ml per joint.**

FASERFIX®BIG SLG 150

Factory-made services



Cutting to length



Mitre cuts (price per cut, two cuts necessary)



Drilling of connection holes



Inserting of PVC union connectors

	Length mm	Width mm	Height mm	Weight kg	Item No.
Cutting to length	-	-	-	-	891
Mitre cuts (price per cut, two cuts necessary)	-	-	-	-	892
Drilling of connection holes	-	-	-	-	893
Inserting of PVC union connectors	-	-	-	-	894

FASERFIX®SUPER

FASERFIX®KS

FASERFIX®BIG SLG

FASERFIX®BIG BL

RECYFIX®PLUS X

RECYFIX®NC

RECYFIX®MONOTEC

RECYFIX®HICAP®F

FASERFIX®POINT KS

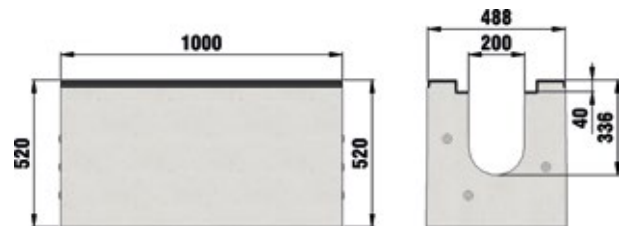
SERVICE CHANNEL

FASERFIX®BIG SLG 200

Channels

FASERFIX®BIG SLG 200, up to class F 900

Type 020



	Length mm	Width mm	Height mm	Internal channel cross-sect. cm ²	Weight kg	Item No.
Type 020	1000	488	520	552	458,00	3480

Bolting required - see further accessories

FASERFIX®BIG SLG 200

Gratings

FASERFIX®BIG SLG 200, class D 400*



Ductile iron grating,
SW 170/18 mm, black,
with plastic caps



Ductile iron grating,
SW 170/18 mm, black,
KTL-coated, with plastic caps

	Length mm	Width mm	Height mm	Intake cross-sect. cm ² /m	Weight kg	Item No.
Ductile iron grating, SW 170/18 mm, black, with plastic caps	500	279	40	732	9,26	3463
Ductile iron grating, SW 170/18 mm, black, KTL-coated, with plastic caps	500	279	40	732	9,26	3483

* Not for use across the carriageway of highways or motorways in moving traffic.

FASERFIX®BIG SLG 200, class E 600



GUGI-Ductile iron mesh grating
MW 15/25 mm, black,
with plastic caps

	Length mm	Width mm	Height mm	Intake cross-sect. cm ² /m	Weight kg	Item No.
GUGI-Ductile iron mesh grating MW 15/25 mm, black, with plastic caps	500	279	40	818	12,65	3068
GUGI-Ductile iron mesh grating, MW 15/25 mm, KTL-coated, with plastic caps	500	279	40	818	12,60	3868

FASERFIX®BIG SLG 200

Gratings

FASERFIX®BIG SLG 200, class F 900



Ductile iron grating
SW 20 mm, black,
with plastic caps



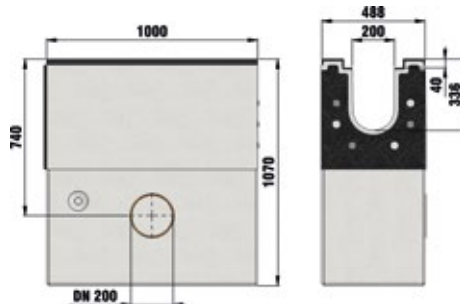
Ductile iron grating
SW 20 mm, KTL-coated,
with plastic caps

	Length mm	Width mm	Height mm	Intake cross-sect. cm ² /m	Weight kg	Item No.
Ductile iron grating SW 20 mm, black, with plastic caps	500	279	40	833	13,60	3061
Ductile iron grating SW 20 mm, KTL-coated, with plastic caps	500	279	40	833	13,70	3861

FASERFIX®BIG SLG 200

Accessories

Trash boxes



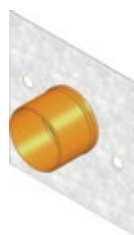
Trash box element, 2-parts, with PVC-U socket and galvanised mud bucket

	Length mm	Width mm	Height mm	Weight kg	Item No.
Trash box element, 2-parts, with PVC-U socket and galvanised mud bucket	1000	488	1070	1052,00	3957

End caps



End cap closed, type 020



End cap with horizontal PVC-U pipe outlet DN/OD 200, type 020

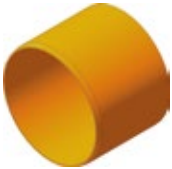
	Length mm	Width mm	Height mm	Weight kg	Item-No. galvanised	Item-No. stainless steel
End cap closed, type 020	-	488	518	4,00	3986	3983
End cap with horizontal PVC-U pipe outlet DN/OD 200, type 020	-	488	518	4,30	3999	3996

The quality of stainless steel material corresponds to CNS 1.4301 or CNS 1.4307.

FASERFIX®BIG SLG 200

Accessories

Further accessories



PVC-Connection
DN/OD 200

	Length mm	Width mm	Height mm	Weight kg	Item No.
Hexagon bolt with locking serration, stainless steel, M 10 x 50	-	-	-	0,00	99938
Caps for hexagon bolts	24	24	7	-	91100
PVC-Connection DN/OD 200	-	-	-	0,80	907
Universal sealant/adhesive Siga-Meltell® 220 black**	-	-	-	1,00	19051
Tubular pistol for universal sealant/adhesive Siga-Meltell® 220 black**	-	-	-	1,30	6891
Installation aid NW 200 (2 pieces required) - due to security reasons no return can be made	-	-	-	2,60	136202

** Consumption of sealing material: approx. 129 ml per joint.

FASERFIX®BIG SLG 200

Factory-made services



Cutting to length



Mitre cuts (price per cut, two cuts necessary)



Drilling of connection holes



Inserting of PVC union connectors

	Length mm	Width mm	Height mm	Weight kg	Item No.
Cutting to length	-	-	-	-	891
Mitre cuts (price per cut, two cuts necessary)	-	-	-	-	892
Drilling of connection holes	-	-	-	-	893
Inserting of PVC union connectors	-	-	-	-	894

FASERFIX®SUPER

FASERFIX®KS

FASERFIX®BIG SLG

FASERFIX®BIG BL

RECYFIX®PLUS X

RECYFIX®NC

RECYFIX®MONOTEC

RECYFIX®HICAP®F

FASERFIX®POINT KS

SERVICE CHANNEL

FASERFIX®BIG SLG 300

Channels

FASERFIX®BIG SLG 300, up to class F 900

Type 010



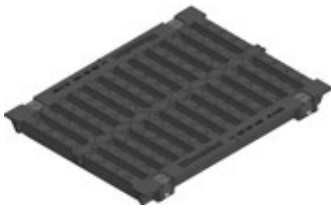
	Length mm	Width mm	Height mm	Internal channel cross-sect. cm ²	Weight kg	Item No.
Type 010	1000	588	600	1020	552,00	4670

Bolting required - see further accessories

FASERFIX®BIG SLG 300

Gratings

FASERFIX®BIG SLG 300, class D 400*



Ductile iron grating,
SW 2 x 136/18 mm, black,
with plastic caps

	Length mm	Width mm	Height mm	Intake cross-sect. cm ² /m	Weight kg	Item No.
Ductile iron grating, SW 2 x 136/18 mm, black, with plastic caps	500	377	40	1150	16,90	4563
Ductile iron grating, SW 2 x 136/18 mm, KTL-coated, with plastic caps	500	377	40	1150	16,90	4543

* Not for use across the carriageway of highways or motorways in moving traffic.

FASERFIX®BIG SLG 300, class E 600



GUGI-Ductile iron mesh grating
MW 15/25 mm, black,
with plastic caps

	Length mm	Width mm	Height mm	Intake cross-sect. cm ² /m	Weight kg	Item No.
GUGI-Ductile iron mesh grating MW 15/25 mm, black, with plastic caps	500	377	40	1172	21,80	4068
GUGI-Ductile iron mesh grating MW 15/25 mm, black, KTL-coated, with plastic caps	500	377	40	1172	22,50	4868

FASERFIX®SUPER

FASERFIX®KS

FASERFIX®BIG SLG

FASERFIX®BIG BL

RECYFIX®PLUS X

RECYFIX®NC

RECYFIX®MONOTEC

RECYFIX®HICAP®F

FASERFIX®POINT KS

SERVICE CHANNEL

FASERFIX®BIG SLG 300

Gratings

FASERFIX®BIG SLG 300, class F 900



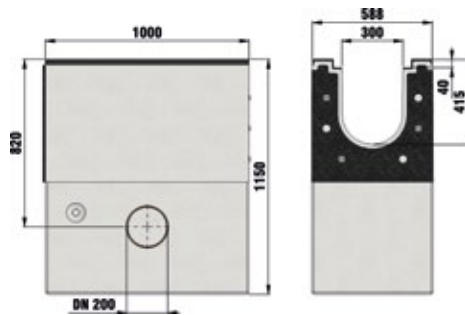
Ductile iron grating
SW 2 x 136/20 mm, black,
with plastic caps

	Length mm	Width mm	Height mm	Intake cross-sect. cm ² /m	Weight kg	Item No.
Ductile iron grating SW 2 x 136/20 mm, black, with plastic caps	500	377	40	1334	23,20	4061
Ductile iron grating, SW 2 x 136/20 mm, KTL-coated, with plastic caps	500	377	40	1334	23,20	4861

FASERFIX®BIG SLG 300

Accessories

Trash boxes



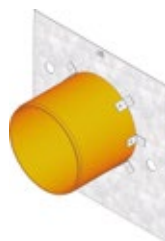
Trash box element, 2-parts, with PVC-U socket and galvanised mud bucket

	Length mm	Width mm	Height mm	Weight kg	Item No.
Trash box element, 2-parts, with PVC-U socket and galvanised mud bucket	1000	588	1150	1275,00	4957

End caps



End cap closed, type 010



End cap with horizontal PVC-U pipe outlet DN/OD 315, type 010

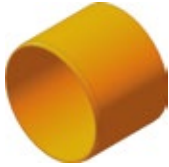
	Length mm	Width mm	Height mm	Weight kg	Item-No. galvanised	Item-No. stainless steel
End cap closed, type 010	-	588	600	5,50	4986	4982
End cap with horizontal PVC-U pipe outlet DN/OD 315, type 010	-	588	600	6,60	4998	4995

The quality of stainless steel material corresponds to CNS 1.4301 or CNS 1.4307.

FASERFIX®BIG SLG 300

Accessories

Further accessories



PVC-Connection
DN/OD 200

	Length mm	Width mm	Height mm	Weight kg	Item No.
Hexagon bolt with locking serration, stainless steel, M 10 x 50	-	-	-	0,00	99938
Caps for hexagon bolts	24	24	7	-	91100
PVC-Connection DN/OD 200	-	-	-	0,80	907
Universal sealant/adhesive Siga-Meltell® 220 black**	-	-	-	1,00	19051
Tubular pistol for universal sealant/adhesive Siga-Meltell® 220 black**	-	-	-	1,30	6891
Installation aid NW 300 (2 pieces required) - due to security reasons no return can be made	-	-	-	3,70	136242

** Consumption of sealing material: approx. 155 ml per joint.

FASERFIX®BIG SLG 300

Factory-made services



Cutting to length



Mitre cuts (price per cut, two cuts necessary)



Drilling of connection holes



Inserting of PVC union connectors

	Length mm	Width mm	Height mm	Weight kg	Item No.
Cutting to length	-	-	-	-	891
Mitre cuts (price per cut, two cuts necessary)	-	-	-	-	892
Drilling of connection holes	-	-	-	-	893
Inserting of PVC union connectors	-	-	-	-	894

FASERFIX®SUPER

FASERFIX®KS

FASERFIX®BIG SLG

FASERFIX®BIG BL

RECYFIX®PLUS X

RECYFIX®NC

RECYFIX®MONOTEC

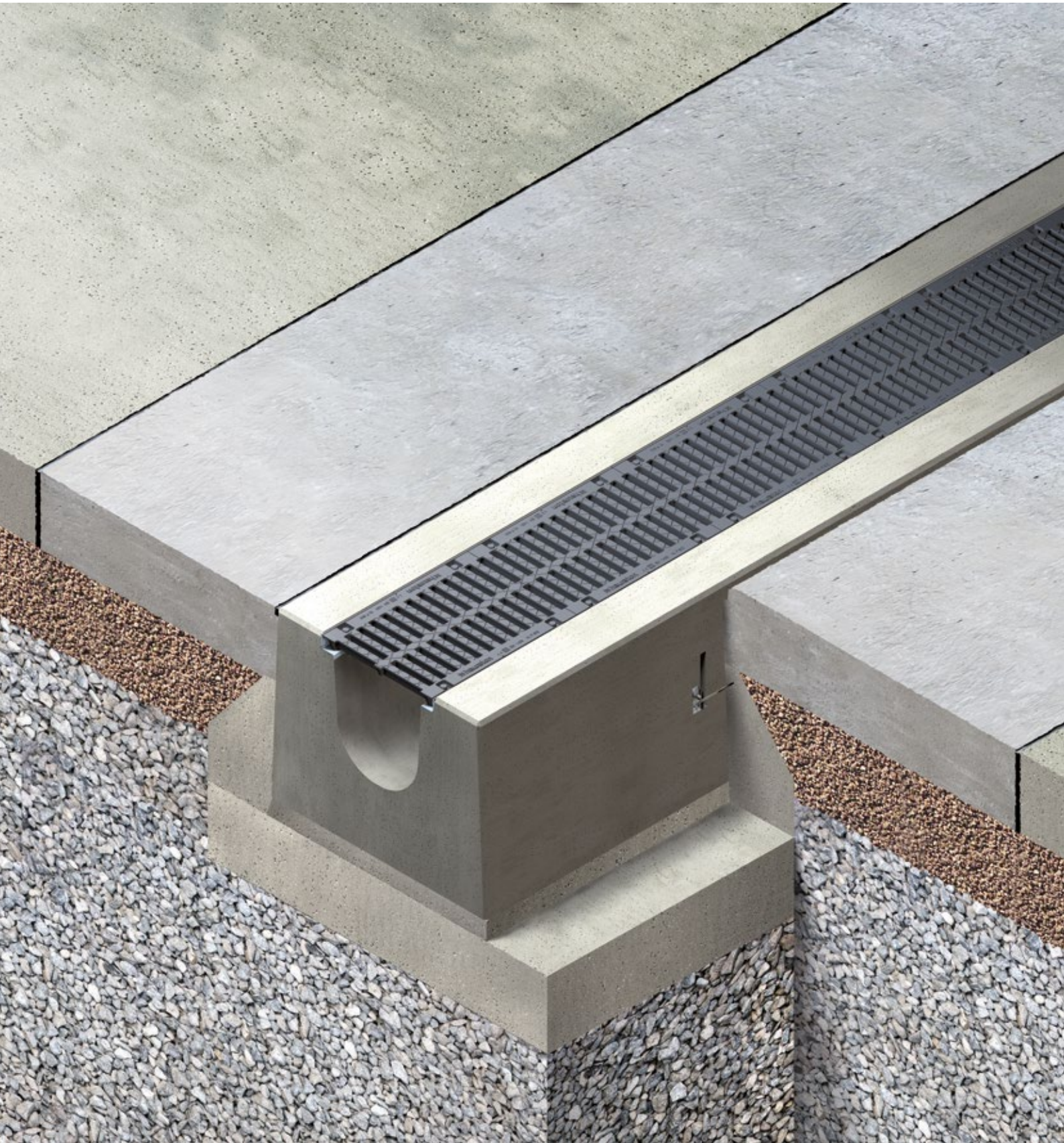
RECYFIX®HICAP®F

FASERFIX®POINT KS

SERVICE CHANNEL

FASERFIX BIG BL

Linear drainage with concrete stretcher for maximum stability under heavy loads.



**Fraport Airport
in Frankfurt am Main,
Germany**



FASERFIX BIG BL

Linear drainage with concrete stretcher for maximum stability under heavy loads.

1 Requirements

Drainage channels for heavy traffic areas have to

- withstand strong dynamic forces and extreme loads
- be particularly stable and long-lasting
- be resistant to environmental effects (frost, heat, water)
- comply with DIN EN 1433

2 Application areas

- ports
- warehouse yards
- industrial road surfaces
- container stations
- airports

3 Solution

For this reason, FASERFIX BIG BL channels are suitable for the drainage of heavy traffic areas:

- robust, ready-to-use pre-cast reinforced concrete channel body in 1 and 4 metre lengths
- maximum lateral stability through extra thick walls with static load capacity
- load classes D 400, E 600 and F 900 according to DIN EN 1433
- gratings are held very securely in the angle housing due to 40 mm insertion depth
- nominal widths from 150 to 300 mm
- gratings are securely fixed with 16 fixing points per metre (incl. 8 times with optional bolting)



Petrol station, Poland



Waste disposal station, Germany



Ferihegy airport, Budapest



Logistics centre Rossmann, Poland

FASERFIX®SUPER
FASERFIX®KS
FASERFIX®BIG SLG
FASERFIX®BIG BL
RECYFIX®PLUS X
RECYFIX®NC
RECYFIX®MONOTEC
RECYFIX®HICAP®F
FASERFIX®POINT KS
SERVICE CHANNEL

FASERFIX BIG BL

Linear drainage with concrete stretcher for maximum stability under heavy loads.

Top strength for maximum reliability.

The airport in Frankfurt is the third largest in Europe. The Terminal A Plus has been overhauled and extended so as to allow wide-bodied passenger aircraft such as the Airbus A 380 to take off and land. The challenge was to gain access to existing drainage connections. This had to be done very carefully because conductors and lighting cables were already there.

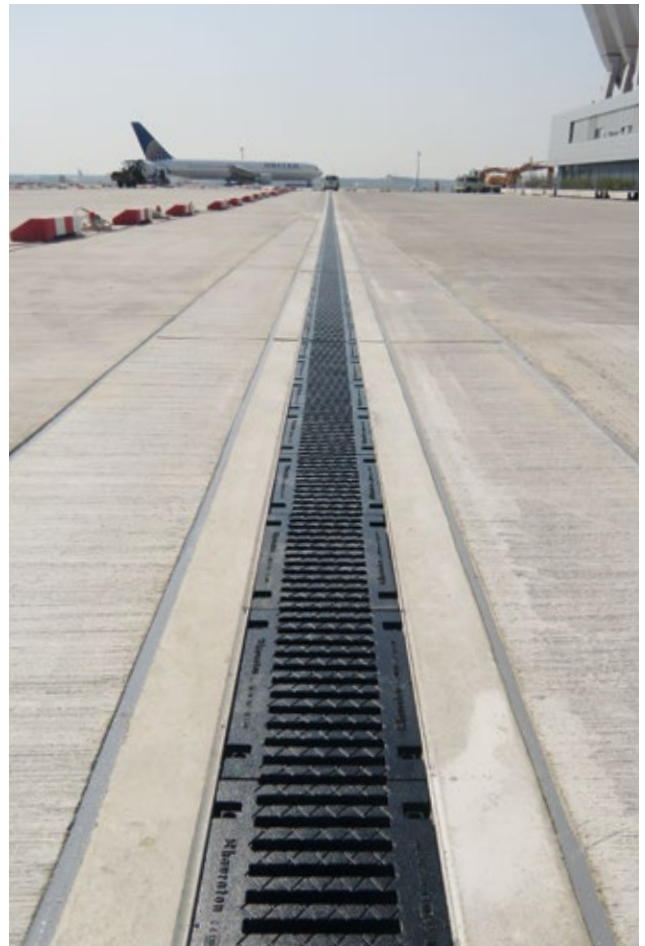
Particularly high demands:

- airport surfaces are subject to the strict regulations of the Federal Water Act
- Aircraft operation areas such as aprons are exposed to enormous dynamic forces
- the four metre long channel runs consist of steel-reinforced concrete and are extremely heavy.

Drainage channels:

- FASERFIX BIG BL with KTL-coated gratings
- The ductil iron gratings can withstand to extreme loads and correspond to the highest load class F 900





FASERFIX®SUPER
FASERFIX®KS
FASERFIX®BIG SLG
FASERFIX®BIG BL
RECYFIX®PLUS X
RECYFIX®NC
RECYFIX®MONOTEC
RECYFIX®HICAP®F
FASERFIX®POINT KS
SERVICE CHANNEL

YOUR BENEFITS WITH **FASERFIX BIG BL**

PREFABRICATED REINFORCED CONCRETE PART TYPE I ACCORDING TO EN 1433

- robust, ready-to-use pre-cast reinforced concrete channel body
- no formwork, reinforcement and in-situ concrete work required

= COST SAVINGS



CHANNEL IN 1 AND 4 M LENGTHS

- high laying performance
- significant time savings when a certain tightness is required due to reduced number of connections

= TIME & COST SAVINGS



HIGH STABILITY

- maximum lateral stability through extra thick walls with static load capacity compared to many competitors' products for additional security in extreme situations

= PERFORMANCE ASSURED



HIGH PERFORMANCE ANGLE HOUSING AND SIDE-LOCK

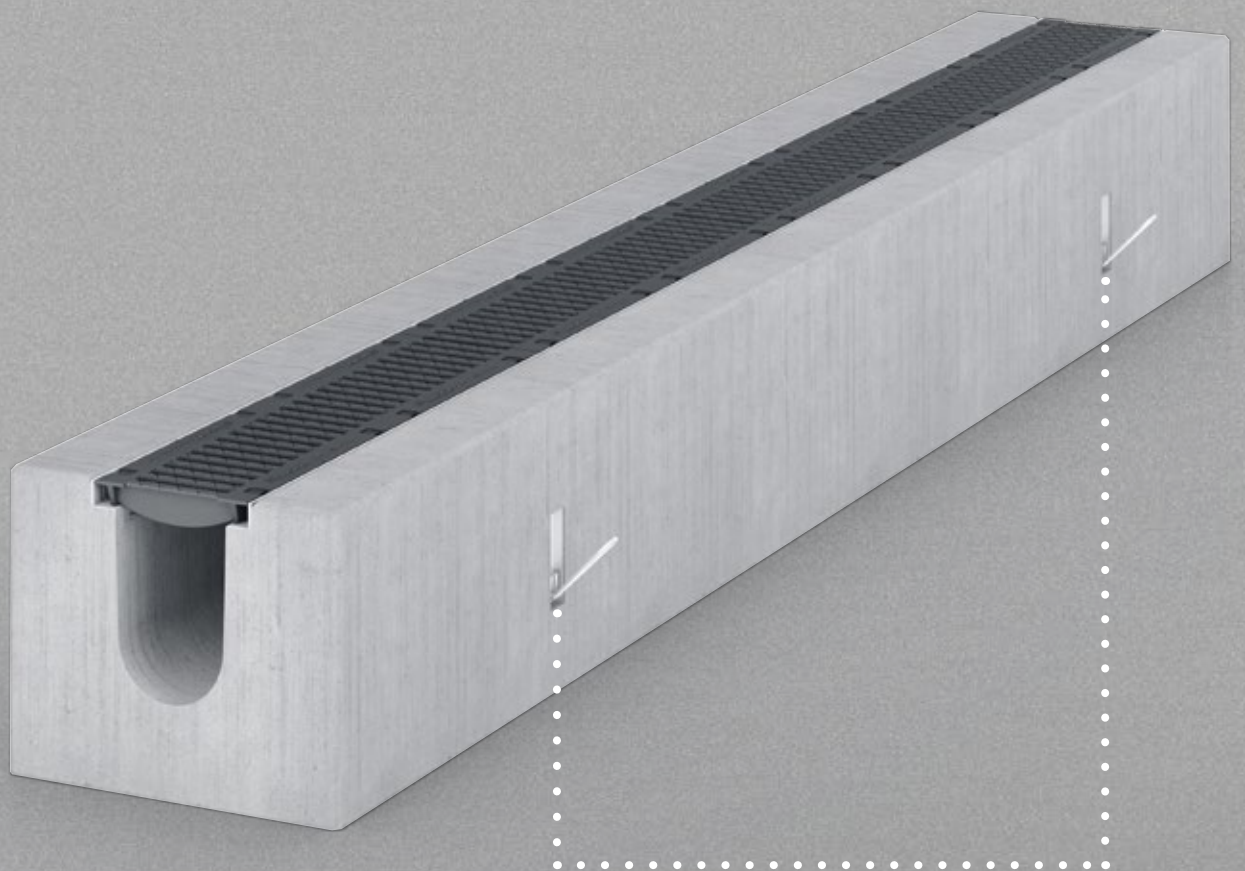
- 40 mm x 40 mm angle housing and inlaying grating
- 16 fixing points for gratings per metre (incl. 8 times with optional bolting)
- 90 % time savings in fixing the grating with **SIDE-LOCK** (compared to a conventional fixing)
- replace and insert the grating without any special tool (if unbolted), a screwdriver is enough

= QUALITY ASSURED & COST SAVINGS



IDEAL FOR ...

extreme loads in practically all concrete road surfaces, aircraft operating areas, port facilities/container terminals, industrial and logistics areas, heavy-duty traffic areas and lorry parks.



1

Attached transport anchors

FASERFIX BIG BL

Linear drainage with concrete stretcher for maximum stability under heavy loads.

FASERFIX BIG BL channels comply with DIN EN 1433 and are suitable for the following load classes:



Class D 400, test force 400 kN

Roadways (including pedestrian), hard shoulders of roads and parking lots which are approved for use by all types of road vehicles.



Class E 600, test force 600 kN

Surfaces exposed to heavy wheel loads, e. g. ports and docks



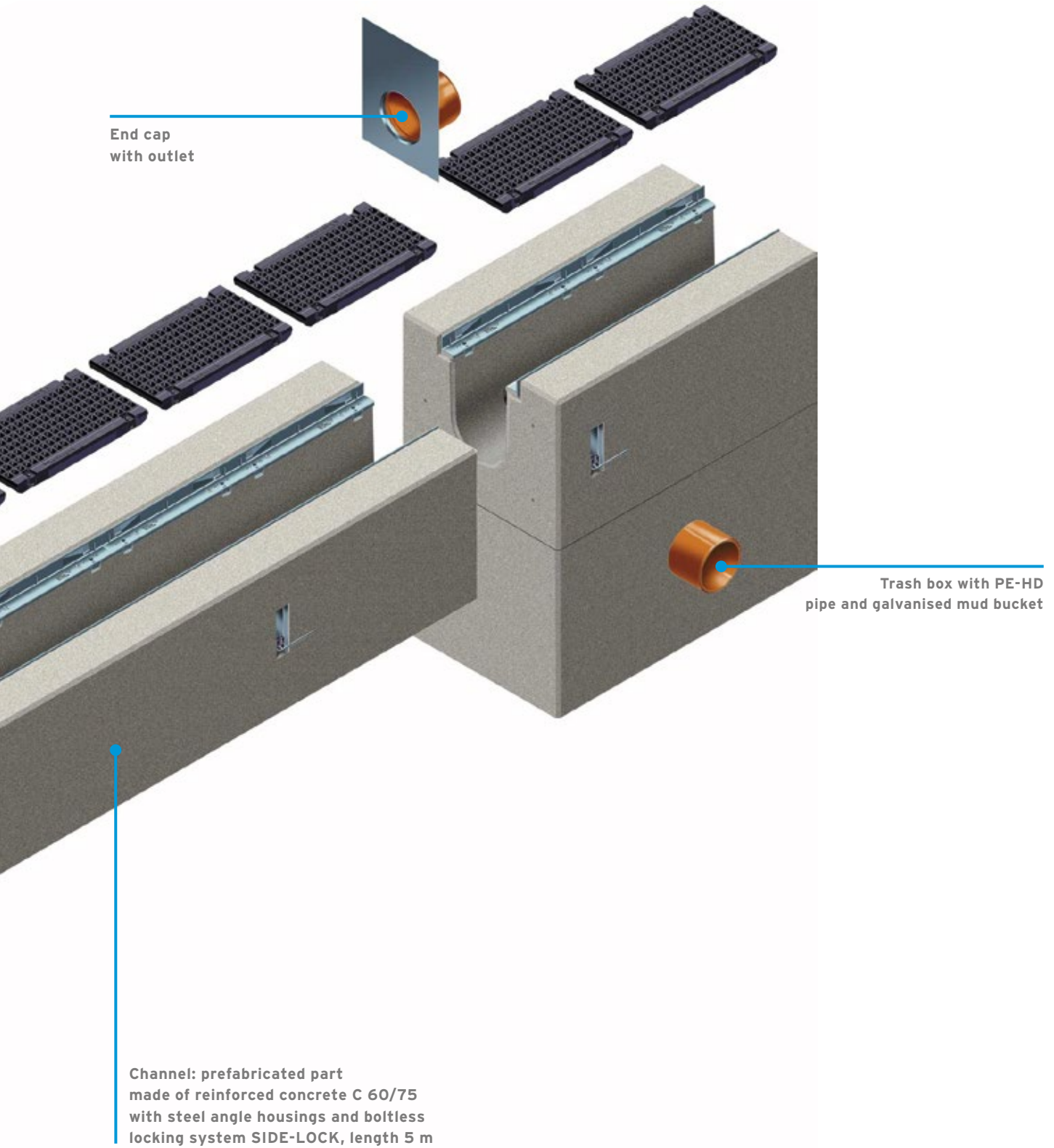
Class F 900, test force 900 kN

Surfaces exposed to very heavy wheel loads, e. g. airport areas.

If in doubt, always select the higher class.

Grating made of ductile iron
EN-GJS-500-7, SW 20, black,
8-fold bolted and 8-fold
SIDE-LOCK per metre

End cap
without outlet



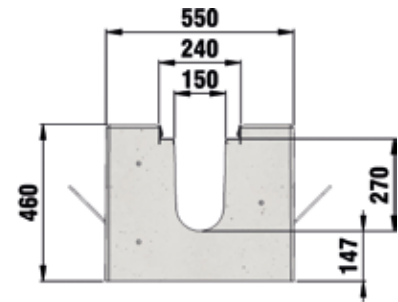
FASERFIX®SUPER
FASERFIX®KS
FASERFIX®BIG SLG
FASERFIX®BIG BL
RECYFIX®PLUS X
RECYFIX®NC
RECYFIX®MONOTEC
RECYFIX®HICAP®F
FASERFIX®POINT KS
SERVICE CHANNEL

FASERFIX®BIG BL 150

Channels

FASERFIX®BIG BL 150 up to class F 900

Type 020



	Length mm	Width mm	Height mm	Internal channel cross-sect. cm ²	Weight kg	Item No.
Type 020	4000	550	460	383	2010,00	2744

FASERFIX®BIG BL 150

Gratings

FASERFIX®BIG BL 150, class D 400



Ductile iron grating,
SW 150/18 mm, black,
with plastic caps

	Length mm	Width mm	Height mm	Intake cross-sect. cm ² /m	Weight kg	Item No.
Ductile iron grating, SW 150/18 mm, black, with plastic caps	500	229	40	624	7,45	2463

* Not for use across the carriageway of highways or motorways in moving traffic.

FASERFIX®BIG BL 150, class E 600



GUGI-Ductile iron mesh grating,
MW 15/25 mm, black,
with plastic caps

	Length mm	Width mm	Height mm	Intake cross-sect. cm ² /m	Weight kg	Item No.
GUGI-Ductile iron mesh grating, MW 15/25 mm, black, with plastic caps	500	229	40	628	11,50	2068

FASERFIX®SUPER

FASERFIX®KS

FASERFIX®BIG SLG

FASERFIX®BIG BL

RECYFIX®PLUS X

RECYFIX®NC

RECYFIX®MONOTEC

RECYFIX®HICAP®F

FASERFIX®POINT KS

SERVICE CHANNEL

FASERFIX®BIG BL 150

Gratings

FASERFIX®BIG BL 150, class F 900



Ductile iron grating
SW 20 mm, black,
with plastic caps



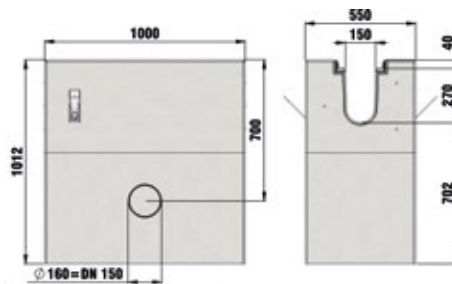
Ductile iron grating
SW 20 mm, KTL-coated,
with plastic caps

	Length mm	Width mm	Height mm	Intake cross-sect. cm ² /m	Weight kg	Item No.
Ductile iron grating SW 20 mm, black, with plastic caps	500	229	40	710	9,90	2061
Ductile iron grating SW 20 mm, KTL-coated, with plastic caps	500	229	40	710	9,90	2861

FASERFIX®BIG BL 150

Accessories

Trash boxes



Trash box element with PVC-U socket DN/OD 160 and galvanised bucket

	Length mm	Width mm	Height mm	Weight kg	Item No.
Trash box element with PVC-U socket DN/OD 160 and galvanised bucket	1000	550	1012	640,00	2755

End caps



End cap closed, galvanised, type 020



End cap with horizontal PVC-U pipe outlet DN/OD 160, galvanised, type 020

	Length mm	Width mm	Height mm	Weight kg	Item No.
End cap closed, galvanised, type 020	-	240	369	1,40	2083
End cap with horizontal PVC-U pipe outlet DN/OD 160, galvanised, type 020	-	240	369	1,70	2093
End cap made of stainless steel with PE-HD outlet DN/OD 160 for type 020	-	550	460	4,80	2797

FASERFIX® BIG BL 150

Accessories

Further accessories



Foul air trap DN/OD 160



Primer Sikaflex 215,
1000 ml

	Length mm	Width mm	Height mm	Weight kg	Item No.
Foul air trap DN/OD 160	584	160	439	2,00	960
Sealing material Sikaflex Tank N, poly-tube bag 600 ml**	-	-	-	1,00	19050
Primer Sikaflex 215, 1000 ml	-	-	-	1,00	19055

**** Consumption of sealing material: approx. 117 ml per joint.**

FASERFIX®BIG BL 150

Factory-made services



Cutting to length



Mitre cuts (price per cut, two cuts necessary)



Drilling of connection holes



Inserting of PVC union connectors

	Length mm	Width mm	Height mm	Weight kg	Item No.
Cutting to length	-	-	-	-	891
Mitre cuts (price per cut, two cuts necessary)	-	-	-	-	892
Drilling of connection holes	-	-	-	-	893
Inserting of PVC union connectors	-	-	-	-	894

FASERFIX®SUPER

FASERFIX®KS

FASERFIX®BIG SLG

FASERFIX®BIG BL

RECYFIX®PLUS X

RECYFIX®NC

RECYFIX®MONOTEC

RECYFIX®HICAP®F

FASERFIX®POINT KS

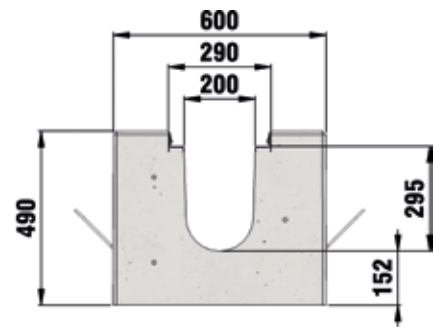
SERVICE CHANNEL

FASERFIX®BIG BL 200

Channels

FASERFIX®BIG BL 200 up to class F 900

Type 020



	Length mm	Width mm	Height mm	Internal channel cross-sect. cm ²	Weight kg	Item No.
Type 020	4000	600	490	539	2148,00	3744

The quality of stainless steel material corresponds to CNS 1.4301 or CNS 1.4307.

FASERFIX®BIG BL 200

Gratings

FASERFIX®BIG BL 200, class D 400



Ductile iron grating,
SW 170/18 mm, black,
with plastic caps



Ductile iron grating,
SW 170/18 mm, black,
KTL-coated, with plastic caps

	Length mm	Width mm	Height mm	Intake cross-sect. cm ² /m	Weight kg	Item No.
Ductile iron grating, SW 170/18 mm, black, with plastic caps	500	279	40	732	9,26	3463
Ductile iron grating, SW 170/18 mm, black, KTL-coated, with plastic caps	500	279	40	732	9,26	3483

* Not for use across the carriageway of highways or motorways in moving traffic.

FASERFIX®BIG BL 200, class E 600



GUGI-Ductile iron mesh grating
MW 15/25 mm, black,
with plastic caps

	Length mm	Width mm	Height mm	Intake cross-sect. cm ² /m	Weight kg	Item No.
GUGI-Ductile iron mesh grating MW 15/25 mm, black, with plastic caps	500	279	40	818	12,65	3068
GUGI-Ductile iron mesh grating, MW 15/25 mm, KTL-coated, with plastic caps	500	279	40	818	12,60	3868

FASERFIX®SUPER

FASERFIX®KS

FASERFIX®BIG SLG

FASERFIX®BIG BL

RECYFIX®PLUS X

RECYFIX®NC

RECYFIX®MONOTEC

RECYFIX®HICAP®F

FASERFIX®POINT KS

SERVICE CHANNEL

FASERFIX®BIG BL 200

Gratings

FASERFIX®BIG BL 200, class F 900



Ductile iron grating
SW 20 mm, black,
with plastic caps



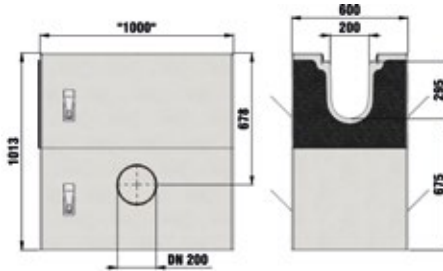
Ductile iron grating
SW 20 mm, KTL-coated,
with plastic caps

	Length mm	Width mm	Height mm	Intake cross-sect. cm ² /m	Weight kg	Item No.
Ductile iron grating SW 20 mm, black, with plastic caps	500	279	40	833	13,60	3061
Ductile iron grating SW 20 mm, KTL-coated, with plastic caps	500	279	40	833	13,70	3861

FASERFIX®BIG BL 200

Accessories

Trash boxes



Trash box element with PVC-U socket DN/OD 200 and galvanised bucket

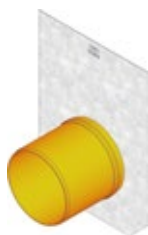
	Length mm	Width mm	Height mm	Weight kg	Item No.
Trash box element with PVC-U socket DN/OD 200 and galvanised bucket	1000	600	1013	680,00	3755

The quality of stainless steel material corresponds to CNS 1.4301 or CNS 1.4307.

End caps



End cap closed, galvanised, type 020



End cap with horizontal PVC-U pipe outlet DN/OD 160, galvanised, type 020

	Length mm	Width mm	Height mm	Weight kg	Item No.
End cap closed, galvanised, type 020	-	290	400	1,90	3083
End cap with horizontal PVC-U pipe outlet DN/OD 160, galvanised, type 020	-	290	400	1,80	3093
End cap made of stainless steel with PE-HD outlet DN/OD 200 for type 020	-	600	490	5,50	3793

The quality of stainless steel material corresponds to CNS 1.4301 or CNS 1.4307.

FASERFIX®BIG BL 200

Accessories

Further accessories



Primer Sikaflex 215,
1000 ml

	Length mm	Width mm	Height mm	Weight kg	Item No.
Sealing material Sikaflex Tank N, poly-tube bag 600 ml**	-	-	-	1,00	19050
Primer Sikaflex 215, 1000 ml	-	-	-	1,00	19055

**** Consumption of sealing material: approx. 125 ml per joint.**

FASERFIX®BIG BL 200

Factory-made services



Cutting to length



Mitre cuts (price per cut, two cuts necessary)



Drilling of connection holes



Inserting of PVC union connectors

	Length mm	Width mm	Height mm	Weight kg	Item No.
Cutting to length	-	-	-	-	891
Mitre cuts (price per cut, two cuts necessary)	-	-	-	-	892
Drilling of connection holes	-	-	-	-	893
Inserting of PVC union connectors	-	-	-	-	894

FASERFIX®SUPER

FASERFIX®KS

FASERFIX®BIG SLG

FASERFIX®BIG BL

RECYFIX®PLUS X

RECYFIX®NC

RECYFIX®MONOTEC

RECYFIX®HICAP®F

FASERFIX®POINT KS

SERVICE CHANNEL

FASERFIX®BIG BL 300

Channels

FASERFIX®BIG BL 300, up to load class F 900

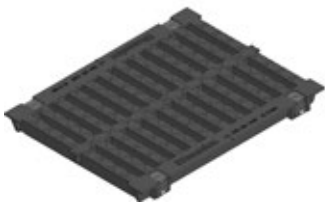
	Length mm	Width mm	Height mm	Internal channel cross-sect. cm ²	Weight kg	Item No.
Type 020	4000	-	-	-	-	34744

The quality of stainless steel material corresponds to CNS 1.4301 or CNS 1.4307.

FASERFIX®BIG BL 300

Gratings

FASERFIX®BIG BL 300, class D 400*



Ductile iron grating,
SW 2 x 136/18 mm, black,
with plastic caps

	Length mm	Width mm	Height mm	Intake cross-sect. cm ² /m	Weight kg	Item No.
Ductile iron grating, SW 2 x 136/18 mm, black, with plastic caps	500	377	40	1150	16,90	4563
Ductile iron grating, SW 2 x 136/18 mm, KTL-coated, with plastic caps	500	377	40	1150	16,90	4543

* Not for use across the carriageway of highways or motorways in moving traffic.

FASERFIX®BIG BL 300, class E 600



GUGI-Ductile iron mesh grating
MW 15/25 mm, black,
with plastic caps

	Length mm	Width mm	Height mm	Intake cross-sect. cm ² /m	Weight kg	Item No.
GUGI-Ductile iron mesh grating MW 15/25 mm, black, with plastic caps	500	377	40	1172	21,80	4068
GUGI-Ductile iron mesh grating MW 15/25 mm, black, KTL-coated, with plastic caps	500	377	40	1172	22,50	4868

FASERFIX®SUPER

FASERFIX®KS

FASERFIX®BIG SLG

FASERFIX®BIG BL

RECYFIX®PLUS X

RECYFIX®NC

RECYFIX®MONOTEC

RECYFIX®HICAP®F

FASERFIX®POINT KS

SERVICE CHANNEL

FASERFIX®BIG BL 300

Gratings

FASERFIX®BIG BL 300, class F 900



Ductile iron grating,
SW 2 x 136/20 mm, black,
with plastic caps

	Length mm	Width mm	Height mm	Intake cross-sect. cm ² /m	Weight kg	Item No.
Ductile iron grating, SW 2 x 136/20 mm, black, with plastic caps	500	377	40	1334	23,20	4061
Ductile iron grating, SW 2 x 136/20 mm, KTL-coated, with plastic caps	500	377	40	1334	23,20	4861

FASERFIX®BIG BL 300

Accessories

Trash boxes

	Length mm	Width mm	Height mm	Weight kg	Item No.
Trash box, 2-part, with galvanised angle housing, with KG socket DN/OD 315 concreted into the sides	1000	-	-	-	34755

The quality of stainless steel material corresponds to CNS 1.4301 or CNS 1.4307.

End caps



End cap closed, galvanised,
type 020

	Length mm	Width mm	Height mm	Weight kg	Item-No. galvanised	Item-No. stainless steel
End cap closed, galvanised, type 020	-	680	575	6,30	4783	4784

The quality of stainless steel material corresponds to CNS 1.4301 or CNS 1.4307.

FASERFIX®BIG BL 300

Accessories

Further accessories



Primer Sikaflex 215,
1000 ml

	Length mm	Width mm	Height mm	Weight kg	Item No.
Sealing material Sikaflex Tank N, poly-tube bag 600 ml**	-	-	-	1,00	19050
Primer Sikaflex 215, 1000 ml	-	-	-	1,00	19055

**** Consumption of sealing material: approx. 159 ml per joint.**

FASERFIX®BIG BL 300

Factory-made services



Cutting to length



Mitre cuts (price per cut, two cuts necessary)



Drilling of connection holes



Inserting of PVC union connectors

	Length mm	Width mm	Height mm	Weight kg	Item No.
Cutting to length	-	-	-	-	891
Mitre cuts (price per cut, two cuts necessary)	-	-	-	-	892
Drilling of connection holes	-	-	-	-	893
Inserting of PVC union connectors	-	-	-	-	894

FASERFIX®SUPER

FASERFIX®KS

FASERFIX®BIG SLG

FASERFIX®BIG BL

RECYFIX®PLUS X

RECYFIX®NC

RECYFIX®MONOTEC

RECYFIX®HICAP®F

FASERFIX®POINT KS

SERVICE CHANNEL

RECYFIX PLUS X

Drainage channels with a protective edge for areas with higher traffic flows.





**MAZDA Car Dealer
in Hobart/Tasmania,
Australia**

RECYFIX PLUS X

Drainage channels with a protective edge for areas with higher traffic flows.

1 Requirements

Drainage channels in areas with high traffic must

- drain quickly and effectively
- guarantee a simple and fast installation
- correspond to DIN EN 1433

2 Application areas

- patio areas
- public parks
- pedestrian zones
- car parks
- industrial estates, trading estates

3 Solutions

Therefore RECYFIX PLUS X channels offer solutions in terms of robustness and functionality.

- channel body made of PP - light but unbreakable
- gratings up to class D 400
- nominal widths from 100 mm up to 300 mm
- corrosion-resistant galvanised steel angle housing
- highly resistant against frost and salt



Delta business centre, Pompey, France



Residential area, Brisbane, Australia



Viktoria street in Bochum, Germany



Sainsbury's Store in Alnwick, Northumberland, England



Health Centre in Bruny Island, Tasmania, Australia

FASERFIX®SUPER
FASERFIX®KS
FASERFIX®BIG SLG
FASERFIX®BIG BL
RECYFIX®PLUS X
RECYFIX®NC
RECYFIX®MONOTEC
RECYFIX®HICAP®F
FASERFIX®POINT KS
SERVICE CHANNEL

YOUR BENEFITS WITH RECYFIX PLUS X

FRAME SYSTEM

- integrated galvanised or stainless steel frames
- protection against longitudinal and lateral movements of gratings

= **PERFORMANCE ASSURED**



PRE-ASSEMBLED READY FOR INSTALLATION

- channel and grating = one part
- no spare parts
- easy handling on stock and construction site
- cost-efficient transport

= **BETTER GROSS MARGIN**



HIGH RESISTANCE

- high resistance against frost, de-icing salt and UV rays
- withstands high temperature differences
- for climate ranges from - 50 °C to + 80 °C and more

= **PERFORMANCE ASSURED**



LOW WEIGHT ENSURES EASY HANDLING ON SITE

- much lighter than channels made of polymer / resin concrete
- easy transport and installation

= **COST SAVINGS**



HIGH-GRADE MATERIAL

- **RECYFIX** - stable and almost unbreakable
- elastic and especially robust material
- withstands high loads and temperature differences in daily use
- 100 % recycled composite body (and also 100 % recyclable) → 100 % environmentally friendly
- 0 % water absorption
- smooth inner surface for superior flow characteristics
- PP channel body can be cut, drilled and worked easily on site

= **PERFORMANCE ASSURED**



HIGH STABILITY

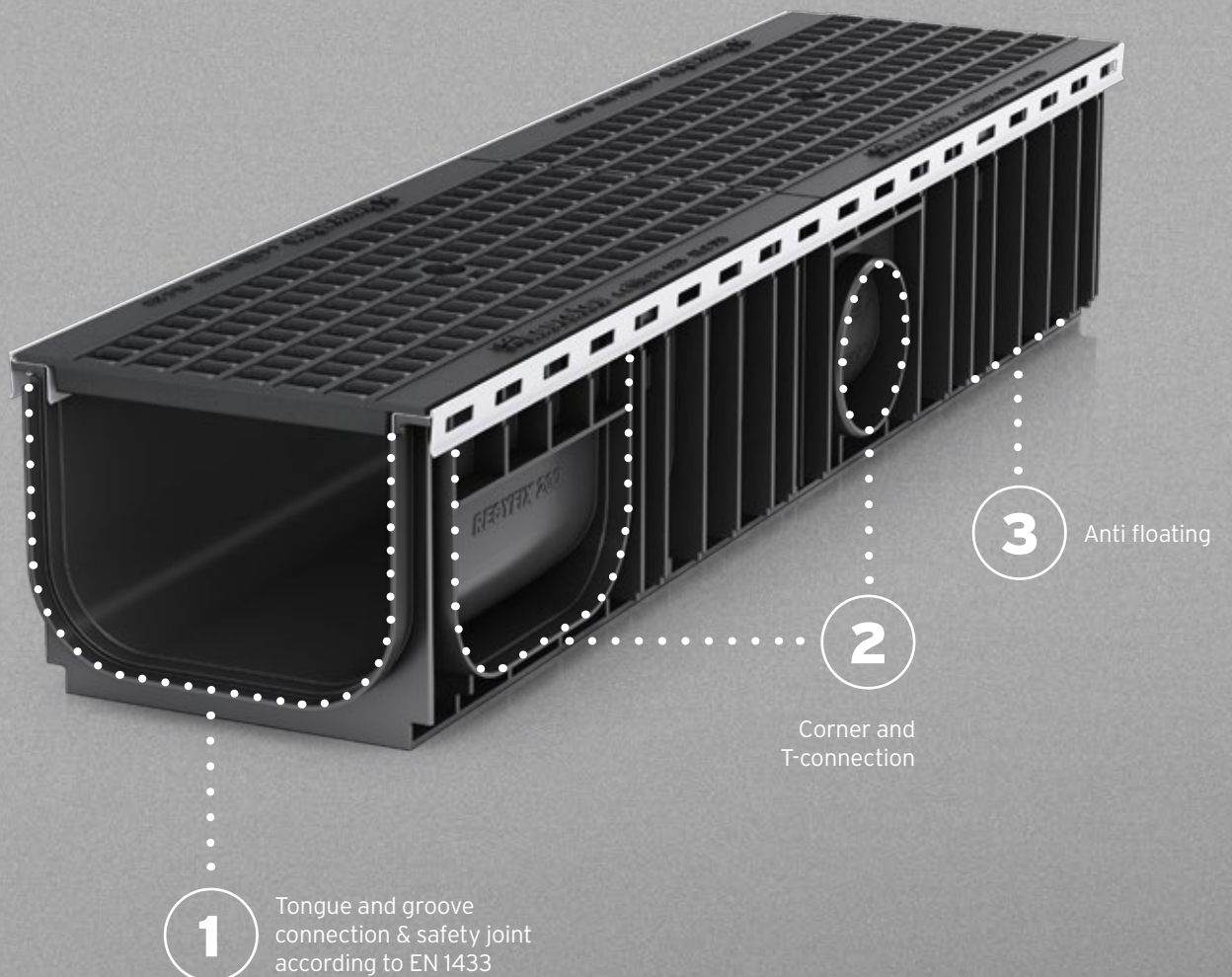
- proven structural design for superior resistance to dynamic forces and D 400 kN loads
- various ductile iron gratings in loading classes D 400 according to DIN EN 1433
- stable and durable drainage channel with protective edge

= **QUALITY- & PERFORMANCE ASSURED**



IDEAL FOR ...

applications with higher traffic up to class 400, such as car parks, industrial estates and sewage plants.



RECYFIX PLUS X

Drainage channels with a protective edge for areas with higher traffic flows.

RECYFIX PLUS X channels are certified according to EN1433 and can be installed in areas in which the following loading capacities can be expected:



**Category D 400,
Load CLASS 400 kn**

Grating options RECYFIX PLUS X channels

GUGI-Ductile iron mesh gratings*



Ductile iron gratings*



**Load class
D 400**

100, 150, 200

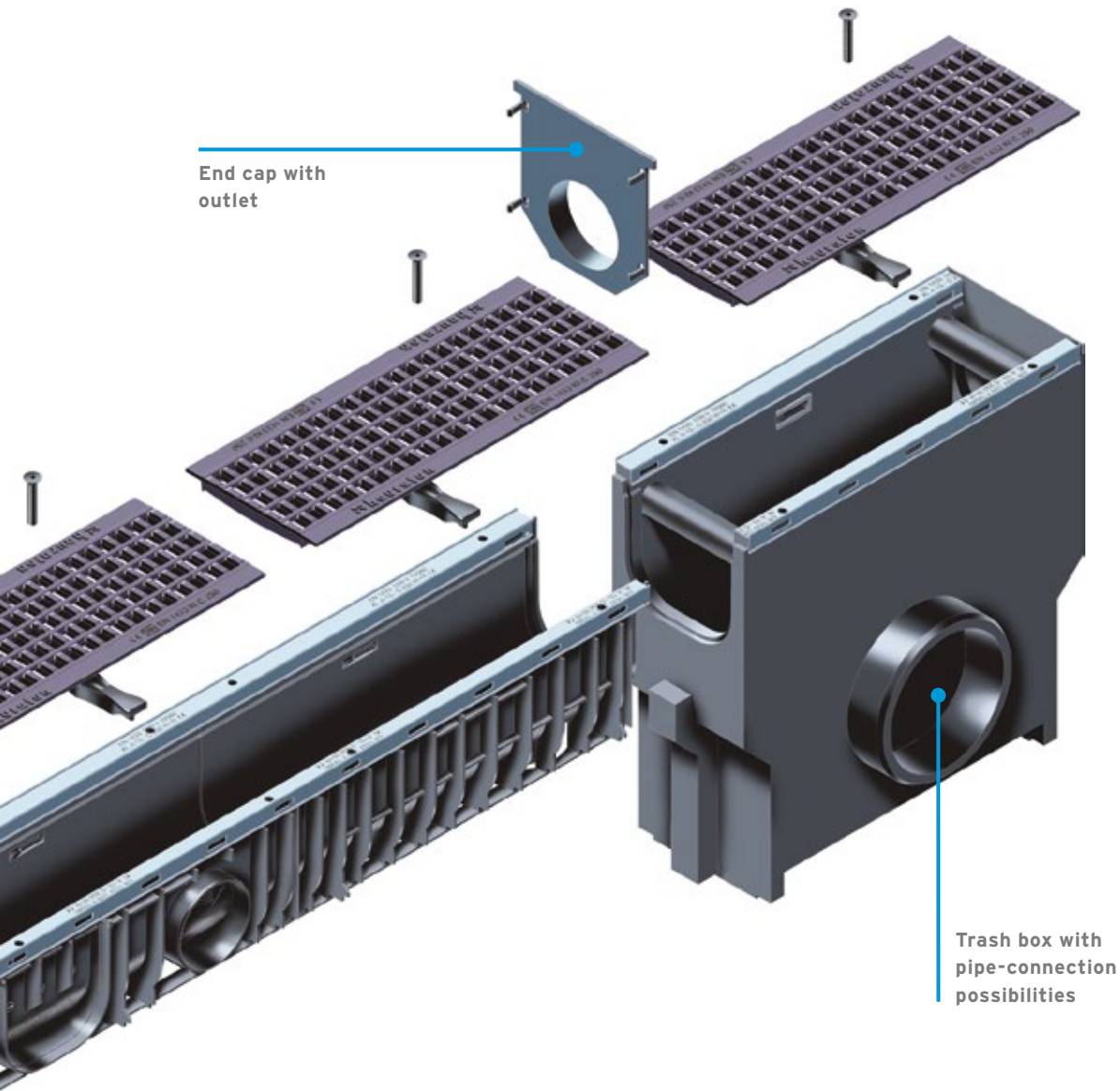
150, 300

* The measurements listed are internal widths.

Numerous grating options,
for example GUGI-Ductile iron
mesh gratings

End cap without
outlet

Channels made of PP with integrated
steel frame, according to EN 1433,
with groove and tongue connection
for exact installation



End cap with outlet

Trash box with pipe-connection possibilities

Widths and heights of **RECYFIX PLUS**:



Nominal sizes	100			150			200			300		
Type 60	147	60	40	-	-	-	-	-	-	-	-	-
Type 80	147	80	60	-	-	-	-	-	-	-	-	-
Type 100	-	-	-	202	100	80	247	100	80	-	-	-
Type 01	147	135	107	202	193	165	-	-	-	347	291	255
Type 010	147	186	157	-	-	-	247	186	157	-	-	-
Type 020	-	-	-	-	-	-	247	236	208	-	-	-

Width/Height/Inside height (in mm)

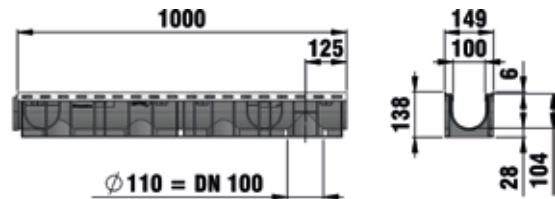
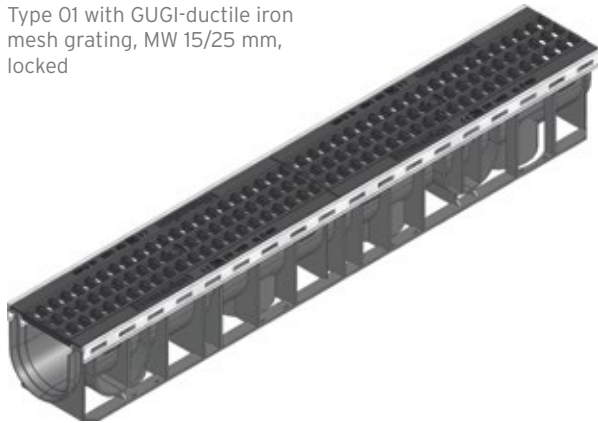
- FASERFIX® SUPER
- FASERFIX® KS
- FASERFIX® BIG SLG
- FASERFIX® BIG BL
- RECYFIX® PLUS X
- RECYFIX® NC
- RECYFIX® MONOTEC
- RECYFIX® HICAP® F
- FASERFIX® POINT KS
- SERVICE CHANNEL

RECYFIX®PLUS X 100

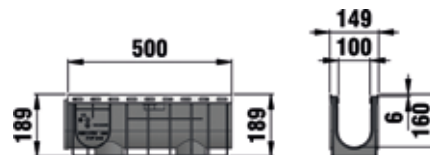
Combi article

RECYFIX®PLUS X 100, class D 400*

Type 01 with GUGI-ductile iron mesh grating, MW 15/25 mm, locked



Type 01005 with GUGI-ductile iron mesh grating, MW 15/25 mm, locked



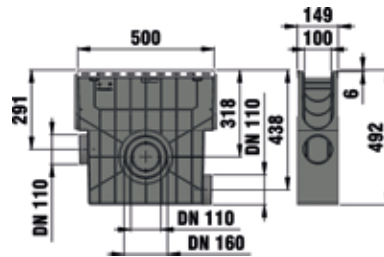
	Length mm	Width mm	Height mm	Internal channel cross-sect. cm ²	Intake cross-sect. cm ² /m	Weight kg	Item No.
Type 01 with GUGI-ductile iron mesh grating, MW 15/25 mm, locked	1000	149	138	92	440	10,50	42070
Type 0105 with GUGI-ductile iron mesh grating, MW 15/25 mm, locked	500	149	138	92	440	5,20	42077
Type 010 with GUGI-ductile iron mesh grating, MW 15/25 mm, locked	1000	149	189	142	440	10,50	42075
Type 01005 with GUGI-ductile iron mesh grating, MW 15/25 mm, locked	500	149	189	142	440	5,20	42078

* Not for use across the carriageway of highways or motorways in moving traffic.

RECYFIX®PLUS X 100

Accessories

Trash boxes



Trash box with GUGI-ductile iron mesh grating, locked

	Length mm	Width mm	Height mm	Weight kg	Item No.
Trash box with GUGI-ductile iron mesh grating, locked	500	149	492	8,20	42079

FASERFIX®SUPER

FASERFIX®KS

FASERFIX®BIG SLG

FASERFIX®BIG BL

RECYFIX®PLUS X

RECYFIX®NC

RECYFIX®MONOTEC

RECYFIX®HICAP®F

FASERFIX®POINT KS

SERVICE CHANNEL

RECYFIX® PLUS X 100

Accessories

End caps



End cap, closed
for type 01



End cap with outlet
DN/OD 110 for type 01



End cap combined
made of PP with outlet
DN/OD 110, type 010



Mud bucket vertical
made of modified composite
for outlet DN/OD 110, black

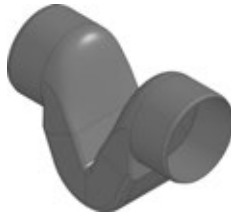
	Length mm	Width mm	Height mm	Weight kg	Item No.
End cap, closed for type 01	-	150	108	0,00	48081
End cap with outlet DN/OD 110 for type 01	-	148	185	0,10	48091
End cap closed for type 010	-	150	160	0,00	40282
End cap combined made of PP with outlet DN/OD 110, type 010	-	148	185	0,10	40283
Mud bucket vertical made of modified composite for outlet DN/OD 110, black	100	100	85	0,00	40293

RECYFIX®PLUS X 100

Further accessories



Foul air trap, vertical,
DN/OD 110



Foul air trap DN/OD 110,
outside

	Length mm	Width mm	Height mm	Weight kg	Item No.
Foul air trap set, vertical DN/OD 110 for RECYFIX 100	-	-	203	0,40	40294
Foul air trap DN/OD 110, inside	-	-	-	0,20	40290
Foul air trap, vertical, DN/OD 110	-	187	181	0,60	40295
Foul air trap DN/OD 110, outside	-	-	-	0,40	961
Step Fall Adapter for step slope, from type 01 to type 010	174	98	86	0,20	41290
Universal sealant/adhesive Siga-Meltell® 220 black**	-	-	-	1,00	19051
Tubular pistol for universal sealant/adhesive Siga-Meltell® 220 black**	-	-	-	1,30	6891
Holesaw, Ø 102 mm, with tool holder for a driller	-	-	-	0,60	980

FASERFIX®SUPER

FASERFIX®KS

FASERFIX®BIG SLG

FASERFIX®BIG BL

RECYFIX®PLUS X

RECYFIX®NC

RECYFIX®MONOTEC

RECYFIX®HICAP®F

FASERFIX®POINT KS

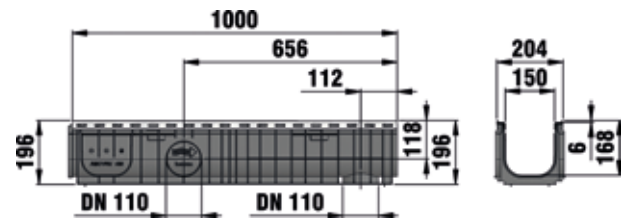
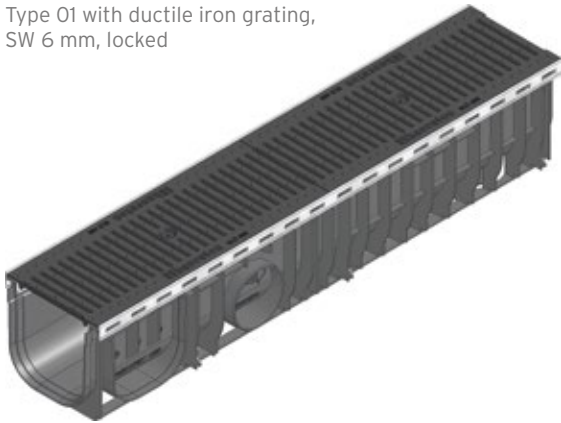
SERVICE CHANNEL

RECYFIX®PLUS X 150

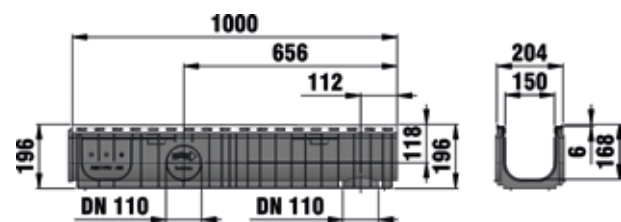
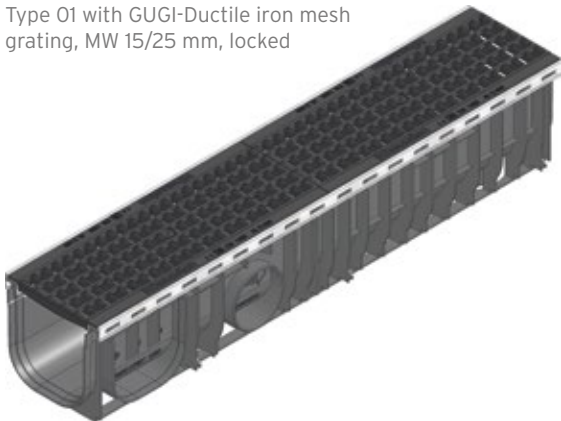
Combi article

RECYFIX®PLUS X 150, class D 400*

Type 01 with ductile iron grating,
SW 6 mm, locked



Type 01 with GUGI-Ductile iron mesh
grating, MW 15/25 mm, locked



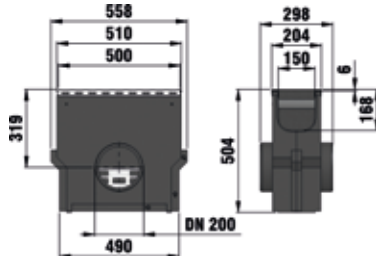
	Length mm	Width mm	Height mm	Internal channel cross-sect. cm ²	Intake cross-sect. cm ² /m	Weight kg	Item No.
Type 01 with ductile iron grating, SW 6 mm, locked	1000	204	196	225	400	15,30	42178
Type 01 with GUGI-Ductile iron mesh grating, MW 15/25 mm, locked	1000	204	196	225	699	15,90	42170

* Not for use across the carriageway of highways or motorways in moving traffic.

RECYFIX® PLUS X 150

Accessories

Trash boxes



Trash box with GUGI-Ductile iron mesh grating, MW 15/25 mm, locked

Trash box with ductile iron grating, SW 6 mm, black, class D 400, locked

	Length mm	Width mm	Height mm	Weight kg	Item No.
Trash box with GUGI-Ductile iron mesh grating, MW 15/25 mm, locked	500	204	504	21,60	42179
Trash box with ductile iron grating, SW 6 mm, black, class D 400, locked	500	204	504	20,80	42159

End caps



End cap KTL-coated for RECYFIX 150 trash box

	Length mm	Width mm	Height mm	Weight kg	Item No.
End cap KTL-coated for RECYFIX 150 trash box	-	203	168	0,30	40159
End cap combined made of PP with outlet DN/OD 75/110, type 01	-	210	203	0,10	40191

Further accessories



Foul air trap DN/OD 110, outside



Foul air trap DN/OD 160



Foul air trap, vertical, DN/OD 110

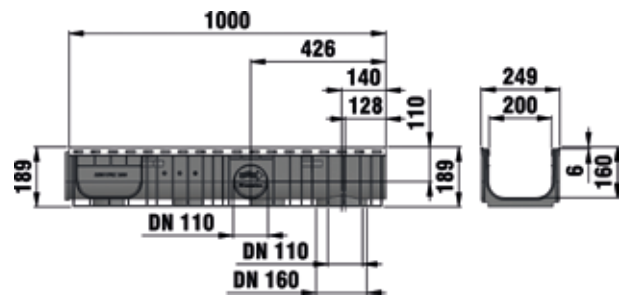
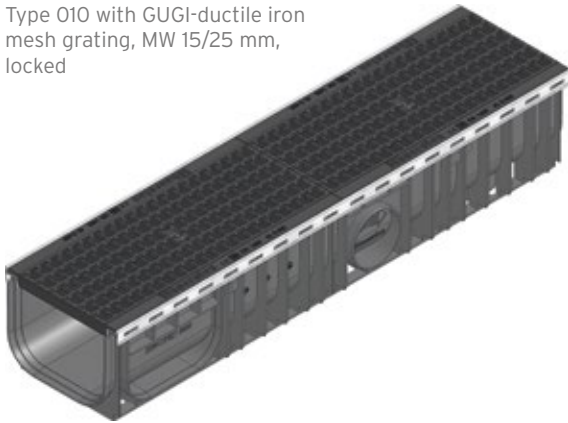
	Length mm	Width mm	Height mm	Weight kg	Item No.
Foul air trap DN/OD 110, outside	-	-	-	0,40	961
Foul air trap DN/OD 160	584	160	439	2,00	960
Foul air trap DN/OD 110, inside	-	-	-	0,20	40290
Foul air trap, vertical, DN/OD 110	-	187	181	0,60	40295
Universal sealant/adhesive Siga-Meltell® 220 black**	-	-	-	1,00	19051
Tubular pistol for universal sealant/adhesive Siga-Meltell® 220 black**	-	-	-	1,30	6891
Holesaw, Ø 102 mm, with tool holder for a drill	-	-	-	0,60	980

RECYFIX®PLUS X 200

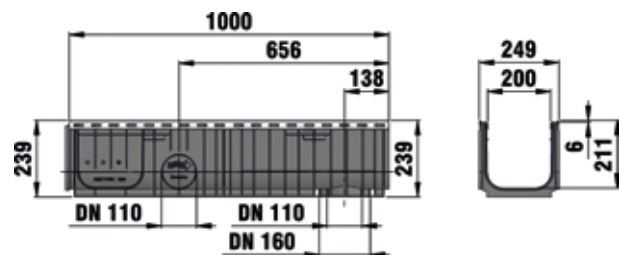
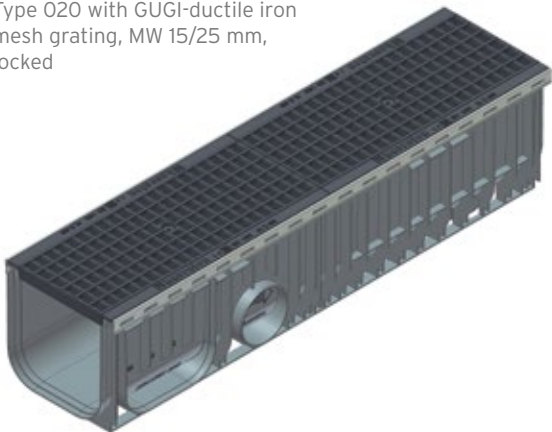
Combi article

RECYFIX®PLUS X 200, class D 400*

Type 010 with GUGI-ductile iron mesh grating, MW 15/25 mm, locked



Type 020 with GUGI-ductile iron mesh grating, MW 15/25 mm, locked



	Length mm	Width mm	Height mm	Internal channel cross-sect. cm ²	Intake cross-sect. cm ² /m	Weight kg	Item No.
Type 010 with GUGI-ductile iron mesh grating, MW 15/25 mm, locked	1000	249	189	294	878	20,90	42275
Type 020 with GUGI-ductile iron mesh grating, MW 15/25 mm, locked	1000	249	239	394	878	21,00	42280

* Not for use across the carriageway of highways or motorways in moving traffic.

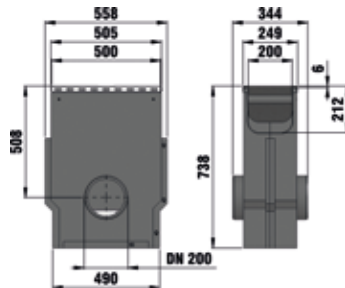
RECYFIX® PLUS X 200

Accessories

Trash boxes



Trash box with GUGI-ductile iron mesh grating, locked



	Length mm	Width mm	Height mm	Weight kg	Item No.
Trash box with GUGI-ductile iron mesh grating, locked	500	249	738	33,70	42253

End caps



End cap galvanised for RECYFIX 200 trash box



End cap combined made of PP closed / with outlet DN/OD 110, Type 010

	Length mm	Width mm	Height mm	Weight kg	Item No.
End cap galvanised for RECYFIX 200 trash box	-	248	211	0,60	40659
End cap combined made of PP closed / with outlet DN/OD 110, Type 010	-	254	199	0,20	40792

Further accessories



Foul air trap, vertical, DN/OD 110

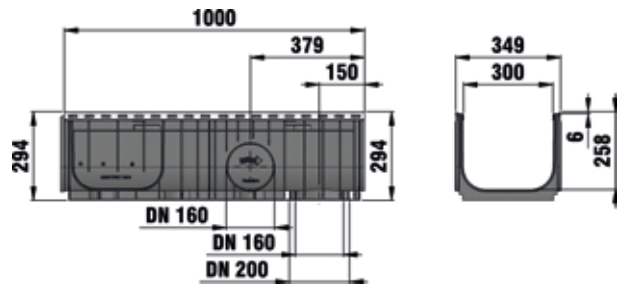
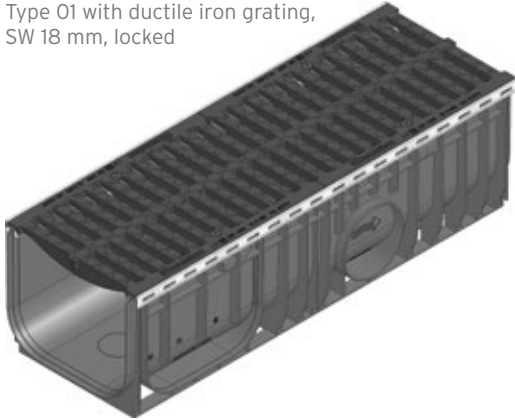
	Length mm	Width mm	Height mm	Weight kg	Item No.
Foul air trap, vertical, DN/OD 110	-	187	181	0,60	40295
Step Fall Adapter for step slope, from type 010 to type 020	194	208	89	0,40	49590
Universal sealant/adhesive Siga-Meltell® 220 black*	-	-	-	1,00	19051
Tubular pistol for universal sealant/adhesive Siga-Meltell® 220 black**	-	-	-	1,30	6891
Holesaw, Ø 102 mm, with tool holder for a drill	-	-	-	0,60	980

RECYFIX®PLUS X 300

Combi article

RECYFIX®PLUS X 300, class D 400*

Type 01 with ductile iron grating,
SW 18 mm, locked



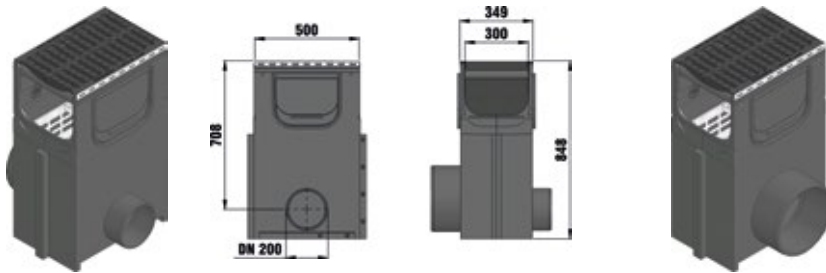
	Length mm	Width mm	Height mm	Internal channel cross-sect. cm ²	Intake cross-sect. cm ² /m	Weight kg	Item No.
Type 01 with ductile iron grating, SW 18 mm, locked	1000	349	294	730	1102	33,60	42377

* Not for use across the carriageway of highways or motorways in moving traffic.

RECYFIX®PLUS X 300

Accessories

Trash boxes

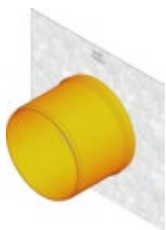


Trash box with galvanised mud bucket and ductile iron grating, SW 18 mm, black, class D 400, locked, with PVC-U pipe outlet DN/OD 200

Trash box with galvanised mud bucket and ductile iron grating, SW 18 mm, black, class D 400, locked, with PVC-U pipe outlet DN/OD 315

	Length mm	Width mm	Height mm	Weight kg	Item No.
Trash box with galvanised mud bucket and ductile iron grating, SW 18 mm, black, class D 400, locked, with PVC-U pipe outlet DN/OD 200	500	349	848	50,80	32334
Trash box with galvanised mud bucket and ductile iron grating, SW 18 mm, black, class D 400, locked, with PVC-U pipe outlet DN/OD 315	500	349	848	50,80	32341

End caps



End cap with horizontal PVC-U pipe outlet galvanised, type 01

	Length mm	Width mm	Height mm	Weight kg	Item No.
End cap closed, galvanised, type 01	-	360	340	1,80	40882
End cap with horizontal PVC-U pipe outlet galvanised, type 01	-	360	340	2,30	40892

Further accessories

	Length mm	Width mm	Height mm	Weight kg	Item No.
Universal sealant/adhesive Siga-Meltell® 220 black**	-	-	-	1,00	19051
Tubular pistol for universal sealant/adhesive Siga-Meltell® 220 black**	-	-	-	1,30	6891

RECYFIX NC

Highly stable and lightweight - linear drainage made of PP for Civils engineering.



**Building material stockage,
SFS unimarket, Switzerland**



RECYFIX NC

Highly stable and lightweight - linear drainage made of PP for Civils engineering.

1 Requirements

Modern drainage systems must

- permanently withstand to high loads and large forces.
- be easy to install.
- be resistant to environmental influences (frost, heat, humidity).
- comply with DIN EN 1433.

3 Solutions

RECYFIX NC channels:

- channels made of PP for civil engineering
- load capacity up to E 600 according to EN 1433
- maximum security through 8-fold bolt fixing
- very lightweight, quick and cost saving installation.

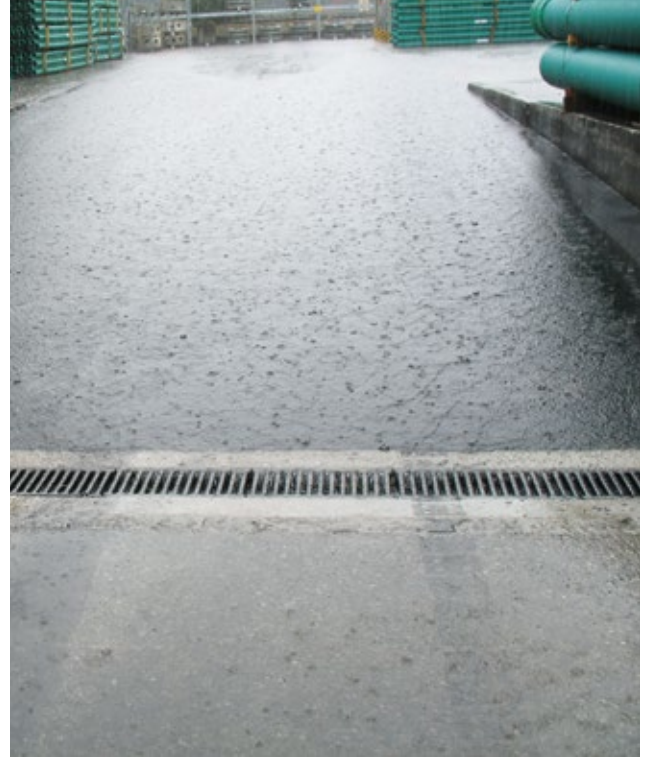
2 Application areas

- traffic areas for industry
- loading and unloading zones
- car parks
- pedestrian areas
- public areas
- petrol stations





Loading and unloading zones



Access ways



Logistic areas



Car parks

FASERFIX®SUPER
FASERFIX®KS
FASERFIX®BIG SLG
FASERFIX®BIG BL
RECYFIX®PLUS X
RECYFIX®NC
RECYFIX®MONOTEC
RECYFIX®HICAP®F
FASERFIX®POINT KS
SERVICE CHANNEL

RECYFIX NC

Highly stable and lightweight - linear drainage made of PP for Civils engineering.

SFS unimarket, Switzerland, sees positive results with the installation of RECYFIX NC: Heavily-trafficked storage area holds up against enormous dynamic loads.

RECYFIX channels have mastered their ability in heavy-duty traffic areas. This has been proven in a practical test with exceptional results in a material storage area at the Swiss builders-merchants SFS unimarket. The heavily-frequented RECYFIX NC channels drain the material storage area reliably and safely.

Exceptionally high demands:

- high thrust forces and point loads
- ramp is heavily frequented
- maximum weight load due to daily forklift traffic (strong shear forces/point loads)

Customer review:

„Two years after installation, there are no changes whatsoever. No cracks, fractures, subsidence or other wear and tear have been found despite the heavy loads. We have put this product to the test and can recommend it to our customers without any hesitation“, says Bruno Tollardo, Logistics Manager at SFS unimarket in Altstätten.

Installation of drainage channels:

- RECYFIX NC 200, type 010 with ductile iron grating, load class E 600
- at lower end of the ramp (due to local conditions and hydraulic calculations)





FASERFIX®SUPER
FASERFIX®KS
FASERFIX®BIG SLG
FASERFIX®BIG BL
RECYFIX®PLUS X
RECYFIX®NC
RECYFIX®MONOTEC
RECYFIX®HICAP®F
FASERFIX®POINT KS
SERVICE CHANNEL

YOUR BENEFITS WITH RECYFIX NC

VERY HIGH STABILITY

- massive ductile iron grating
- **RECYFIX** NC 100, 200, 300: load class E 600
- **RECYFIX** NC 400: load class D 400
- 8-fold bolted per metre

= **QUALITY- & PERFORMANCE ASSURED**



INTEGRATED ANGLE HOUSING

- according to EN 1433,
- molded as integral part of the channel body (made of PP)
- ridges to stop any lateral movement

= **PERFORMANCE ASSURED**



EASY HANDLING ON SITE

- much lighter than channels made of polymer / resin concrete
 - easy transport and installation
- Example (complete system - 1 m channel incl. gratings)
NW 100 = 10.7 kg, NW 200 = 20.8 kg

= **TIME- & COST SAVINGS**



HIGH-GRADE MATERIAL

- **RECYFIX** - stable and almost unbreakable
- elastic and especially robust material
- withstands high loads and temperature differences in daily use
- 100 % recycled composite body (and also 100 % recyclable) → 100 % environmentally friendly
- 0 % water absorption
- smooth inner surface for superior flow characteristics
- non-conductive
- PP channel body can be cut, drilled and worked easily on site

= **QUALITY- & PERFORMANCE ASSURED**



HIGH RESISTANCE

- high resistance against frost, de-icing salt and UV-rays
- withstands high temperature differences
- for climate ranges from - 50 °C to + 80 °C and more

= **QUALITY ASSURED / LONGEVITY**



PRE-ASSEMBLED READY FOR INSTALLATION

- channel and grating = one part
- no spare parts
- easy handling in stock and on construction site
- cost-efficient transport

= **BETTER GROSS MARGIN**



SELF-CENTERING BOLT

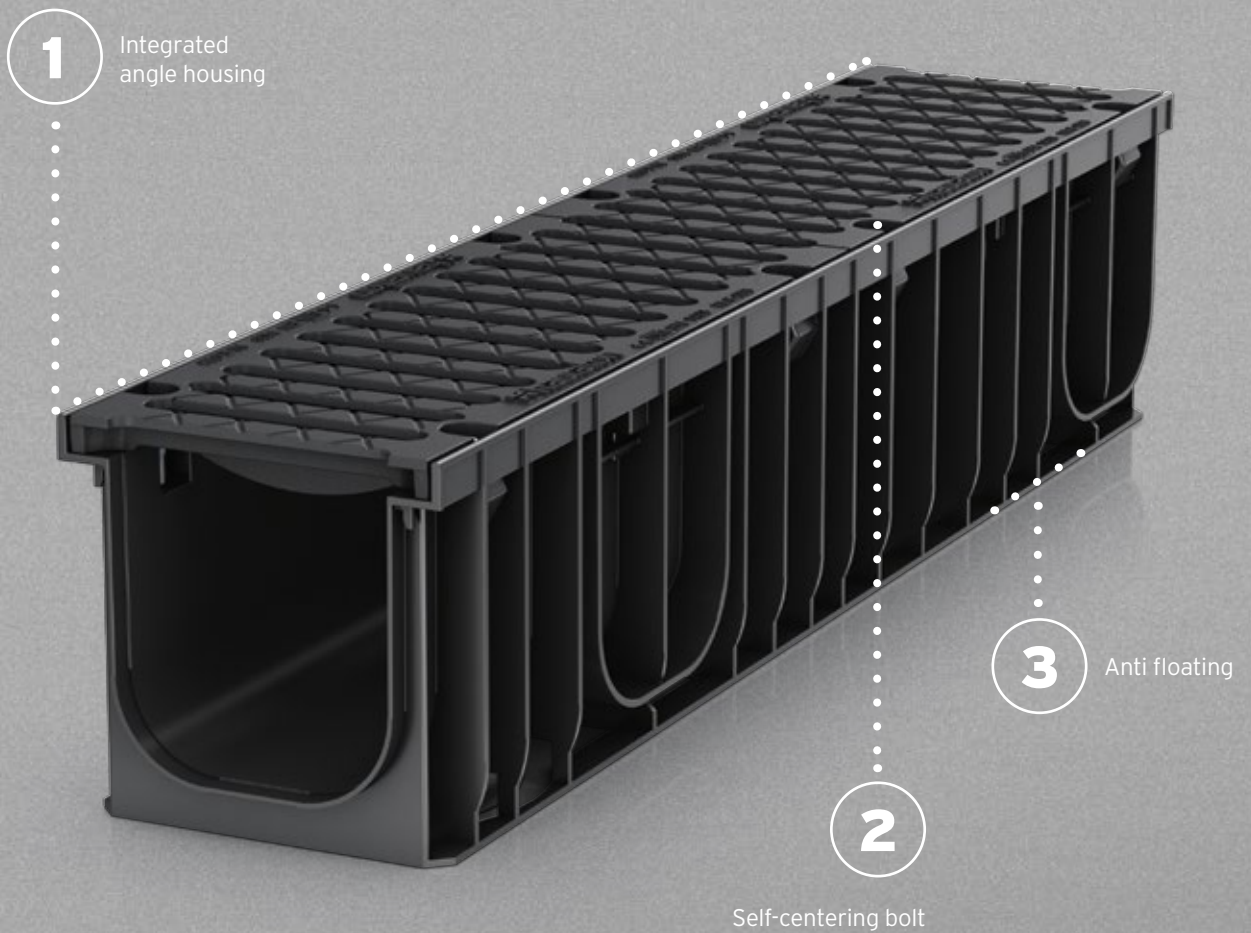
- the bolt automatically finds the right position
- bolts easily detachable even after years of use

= **QUALITY ASSURED / COST SAVINGS**



IDEAL FOR ...

heavy duty applications with higher traffic up to class E 600, such as car parks, industrial estates and petrol stations.



The lightest heavy-duty channel

Also available as the first channel made of **polypropylene (PP)** with nominal width 400

RECYFIX NC

Highly stable and lightweight - linear drainage made of PP for Civils engineering.

RECYFIX NC channels meet the requirements of DIN EN 1433 and are suitable for the following load categories:



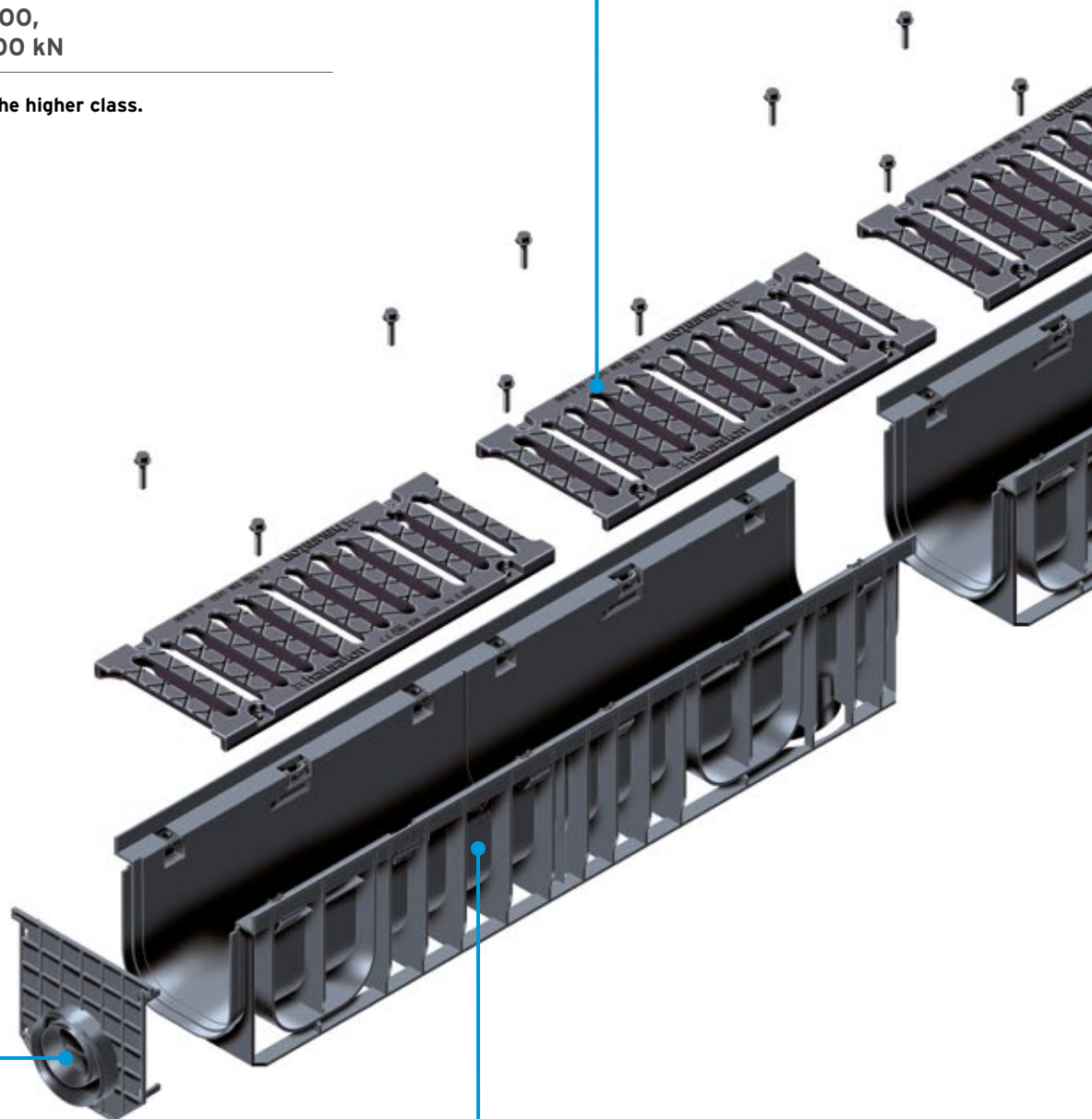
Category D 400,
Load class 400 kN



Category E 600,
Load class 600 kN

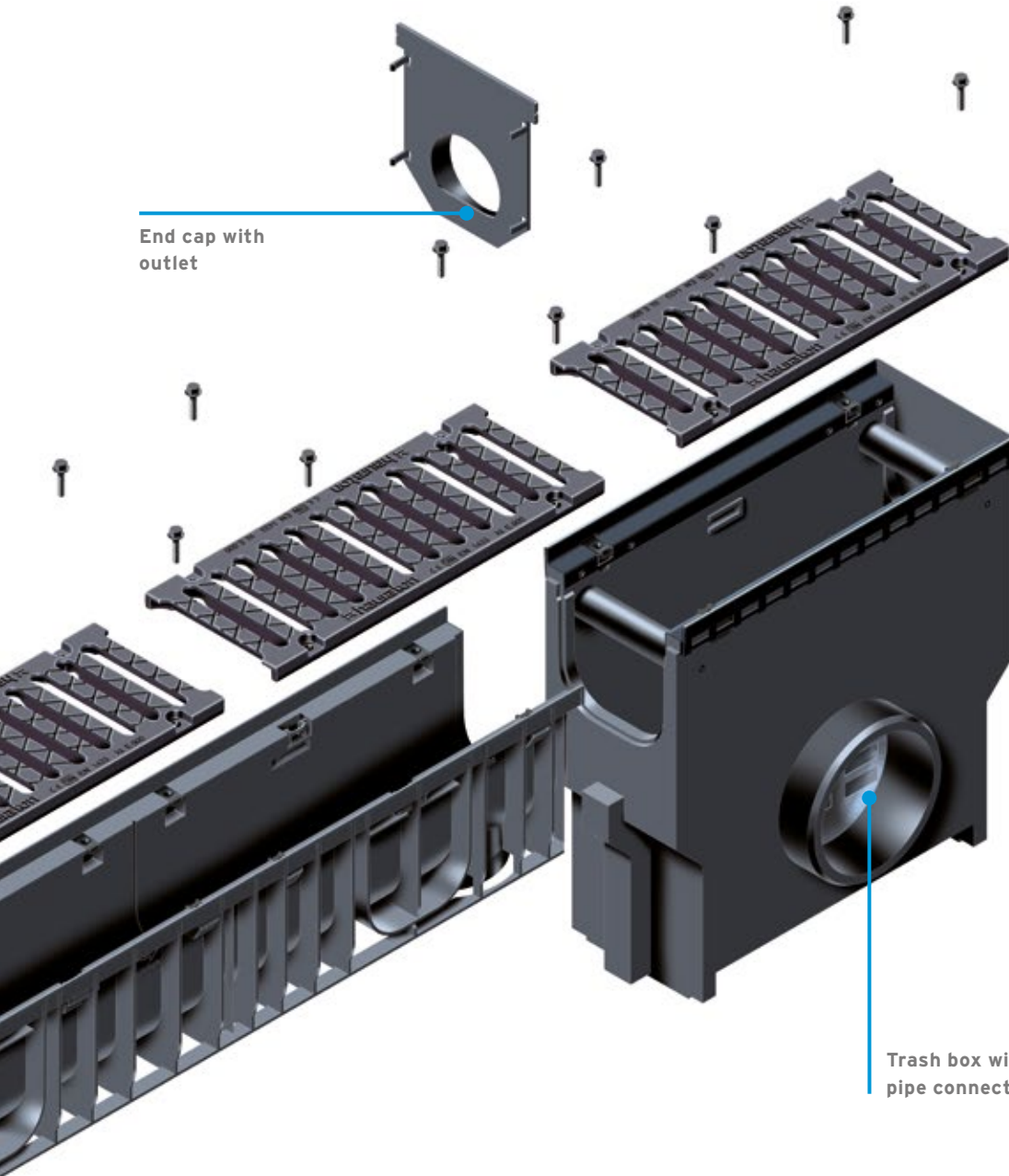
If in doubt, always select the higher class.

Stable ductile iron grating
made of durable spheroidal
ductile iron



End cap without
outlet

Channels made of PP with integrated
angle housing, according to
DIN V 19580/EN 1433, with
groove and tongue
connection for exact installation



Widths and heights of **RECYFIX®NC**:



Nominal sizes

	100			150			200			300			400		
Type 75	160	75	55	-	-	-	-	-	-	-	-	-	-	-	-
Type 01	160	150	122	212	210	180	-	-	-	-	-	-	-	-	-
Type 010	160	200	172	-	-	-	262	200	172	362	360	320	500	500	456
Type 020	160	250	222	-	-	-	-	-	-	-	-	-	-	-	-



Width/Height/Inside height (in mm)

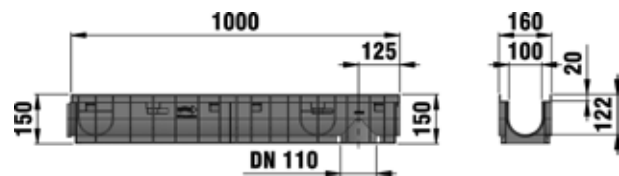
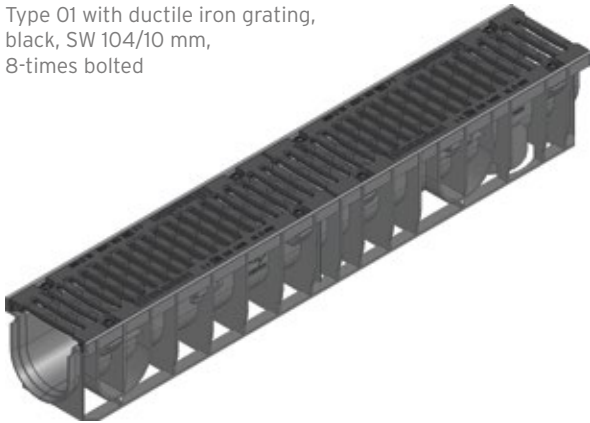
- FASERFIX®SUPER
- FASERFIX®KS
- FASERFIX®BIG SLG
- FASERFIX®BIG BL
- RECYFIX®PLUS X
- RECYFIX®NC**
- RECYFIX®MONOTEC
- RECYFIX®HICAP®F
- FASERFIX®POINT KS
- SERVICE CHANNEL

RECYFIX®NC 100

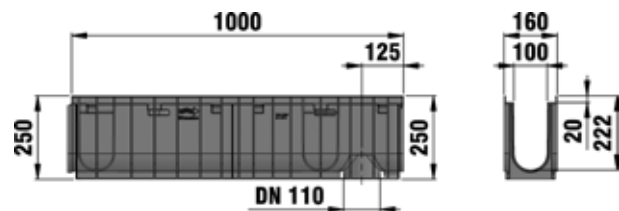
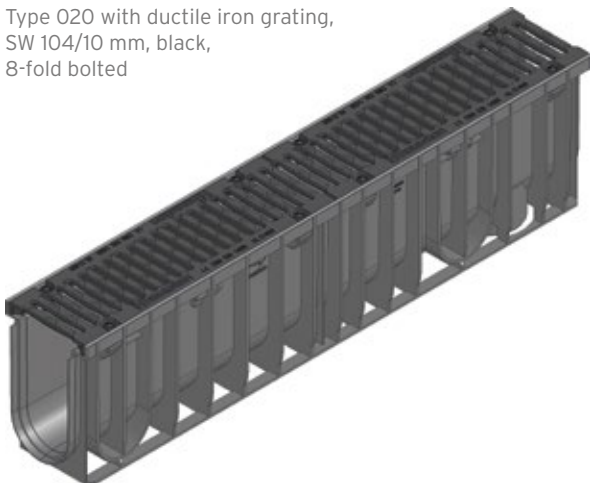
Combi article

RECYFIX®NC 100, class D 400

Type 01 with ductile iron grating,
black, SW 104/10 mm,
8-times bolted



Type 020 with ductile iron grating,
SW 104/10 mm, black,
8-fold bolted

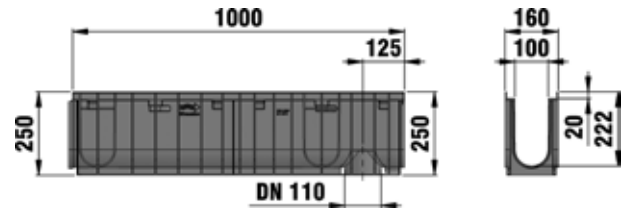
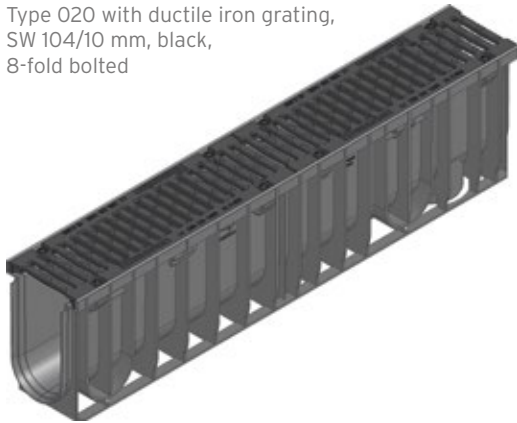


	Length mm	Width mm	Height mm	Internal channel cross-sect. cm ²	Intake cross-sect. cm ² /m	Weight kg	Item No.
Type 01 with ductile iron grating, black, SW 104/10 mm, 8-times bolted	1000	160	150	92	427	10,70	48771
Type 0105 with ductile iron grating, black, SW 104/10 mm, 4-times bolted	500	160	150	92	427	5,40	48746
Type 010 with ductile iron grating, black, SW 104/10 mm, 8-times bolted	1000	160	200	142	427	11,60	48773
Type 01005 with ductile iron grating, black, SW 104/10 mm, 4-times bolted	500	160	200	142	427	5,70	48745
Type 020 with ductile iron grating, SW 104/10 mm, black, 8-fold bolted	1000	160	250	192	427	12,50	48777
Type 02005 with ductile iron grating, SW 104/10 mm, black, 8-fold bolted	500	160	250	192	427	6,20	48779
Type 75 with ductile iron grating, SW 104/10 mm, black, 8-fold bolted	1000	160	75	35	427	10,30	48775

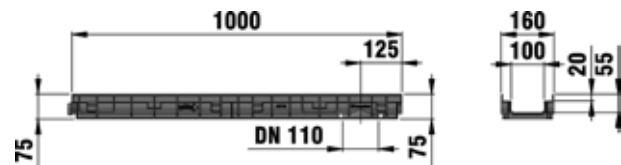
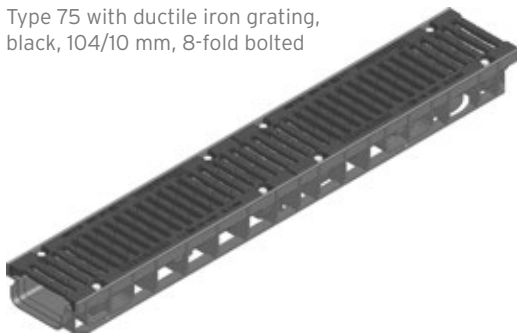
RECYFIX®NC 100

RECYFIX®NC 100, class E 600

Type 020 with ductile iron grating, SW 104/10 mm, black, 8-fold bolted



Type 75 with ductile iron grating, black, 104/10 mm, 8-fold bolted



	Length mm	Width mm	Height mm	Internal channel cross-sect. cm ²	Intake cross-sect. cm ² /m	Weight kg	Item No.
Type 01 with ductile iron grating, black, SW 104/10 mm, 8-fold bolted	1000	160	150	92	427	10,70	48770
Type 0105 with ductile iron grating, black, SW 104/10 mm, 4-fold bolted	500	160	150	92	427	5,43	48748
Type 010 with ductile iron grating, black, SW 104/10 mm, 8-fold bolted	1000	160	200	142	427	11,92	48772
Type 01005 with ductile iron grating, black, SW 104/10 mm, 4-fold bolted	500	160	200	142	427	5,80	48747
Type 020 with ductile iron grating, SW 104/10 mm, black, 8-fold bolted	1000	160	250	192	427	12,50	48776
Type 02005 with ductile iron grating, SW 104/10 mm, black, 4-fold bolted	500	160	250	192	427	6,32	48778
Type 75 with ductile iron grating, black, SW 104/10 mm, 8-fold bolted	1000	160	75	35	427	10,23	48774

FASERFIX®SUPER

FASERFIX®KS

FASERFIX®BIG SLG

FASERFIX®BIG BL

RECYFIX®PLUS X

RECYFIX®NC

RECYFIX®MONOTEC

RECYFIX®HICAP®F

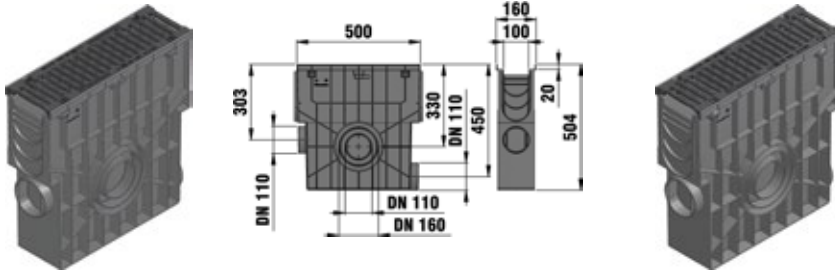
FASERFIX®POINT KS

SERVICE CHANNEL

RECYFIX® NC 100

Accessories

Trash boxes



Trash box with PP mud bucket and ductile iron grating, SW 10 mm, black, class D 400, 4-fold bolted

Trash box with plastic bucket, with ductile iron grating, black, SW 10 mm, class E 600, 4-fold bolted

	Length mm	Width mm	Height mm	Weight kg	Item No.
Trash box with PP mud bucket and ductile iron grating, SW 10 mm, black, class D 400, 4-fold bolted	500	160	504	8,80	48754
Trash box with plastic bucket, with ductile iron grating, black, SW 10 mm, class E 600, 4-fold bolted	500	160	504	8,90	48753

End caps



End cap closed for type 01

End cap made of PP with outlet DN/OD 110, type 01

End cap type 75

	Length mm	Width mm	Height mm	Weight kg	Item No.
End cap closed for type 01	-	160	124	0,00	48681
End cap made of PP with outlet DN/OD 110, type 01	-	160	201	0,10	48691
End cap closed for type 010	-	160	176	0,10	47082
End cap made of PP with outlet DN/OD 110, type 010	-	160	201	0,10	47093
End cap made of PP, type 020	-	160	250	0,10	48683
End cap made of PP with outlet DN/OD 110, type 020	-	160	250	0,10	48695
End cap type 75	-	160	61	0,00	47097

RECYFIX®NC 100

Further accessories



Step Fall Adapter for step slope,
from type 01 to type 010,
from type 010 to type 020

	Length mm	Width mm	Height mm	Weight kg	Item No.
Step Fall Adapter for step slope, from type 01 to type 010, from type 010 to type 020	189	108	88	0,20	48790
Universal sealant/adhesive Siga-Meltell® 220 black**	-	-	-	1,00	19051
Tubular pistol for universal sealant/adhesive Siga-Meltell® 220 black**	-	-	-	1,30	6891
Holesaw, Ø 102 mm, with tool holder for a driller	-	-	-	0,60	980

****Amount needed for Type 020: approx. 22 ml per joint**

FASERFIX®SUPER

FASERFIX®KS

FASERFIX®BIG SLG

FASERFIX®BIG BL

RECYFIX®PLUS X

RECYFIX®NC

RECYFIX®MONOTEC

RECYFIX®HICAP®F

FASERFIX®POINT KS

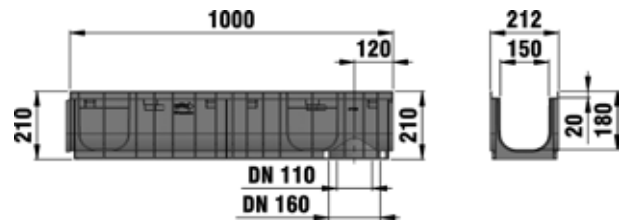
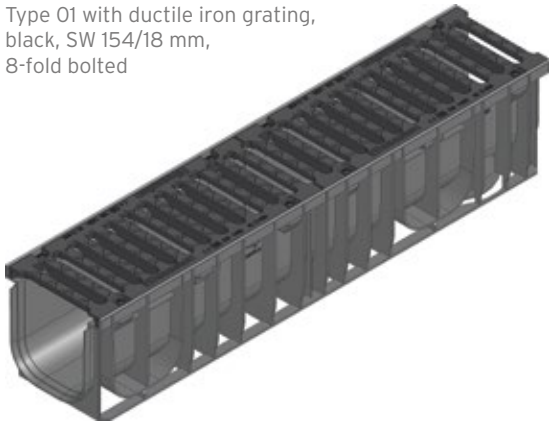
SERVICE CHANNEL

RECYFIX®NC 150

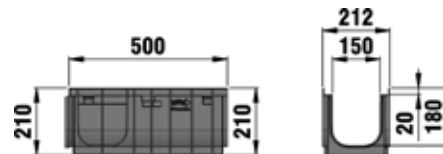
Combi article

RECYFIX®NC 150, class D 400

Type 01 with ductile iron grating,
black, SW 154/18 mm,
8-fold bolted



Type 0105 with ductile iron grating,
black, 154/18 mm, 4-fold bolted

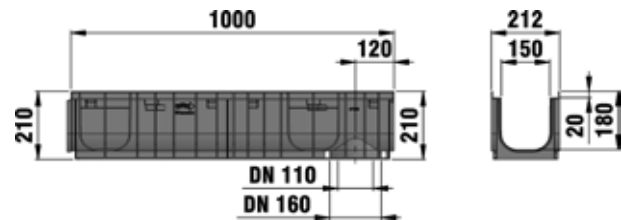
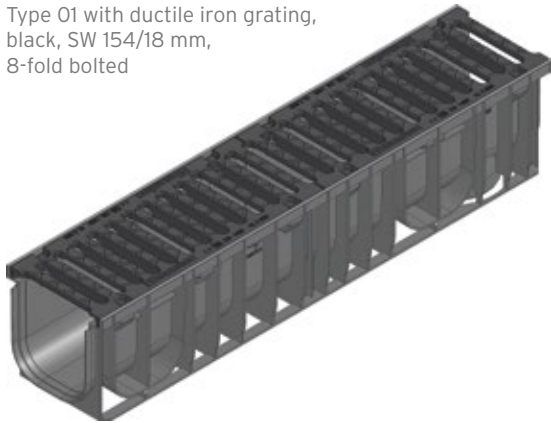


	Length mm	Width mm	Height mm	Internal channel cross-sect. cm ²	Intake cross-sect. cm ² /m	Weight kg	Item No.
Type 01 with ductile iron grating, black, SW 154/18 mm, 8-fold bolted	1000	212	210	230	702	15,73	48871
Type 0105 with ductile iron grating, black, SW 154/18 mm, 4-fold bolted	500	212	210	230	702	7,88	48847

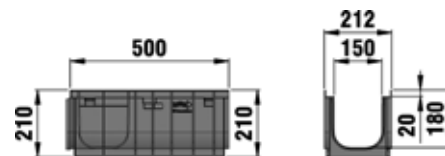
RECYFIX®NC 150

RECYFIX®NC 150, class E 600

Type 01 with ductile iron grating, black, SW 154/18 mm, 8-fold bolted



Type 0105 with ductile iron grating, black, SW 154/18 mm, 4-fold bolted



	Length mm	Width mm	Height mm	Internal channel cross-sect. cm ²	Intake cross-sect. cm ² /m	Weight kg	Item No.
Type 01 with ductile iron grating, black, SW 154/18 mm, 8-fold bolted	1000	212	210	230	702	15,70	48870
Type 0105 with ductile iron grating, black, SW 154/18 mm, 4-fold bolted	500	212	210	230	702	7,90	48848

FASERFIX®SUPER

FASERFIX®KS

FASERFIX®BIG SLG

FASERFIX®BIG BL

RECYFIX®PLUS X

RECYFIX®NC

RECYFIX®MONOTEC

RECYFIX®HICAP®F

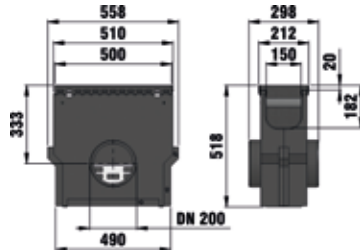
FASERFIX®POINT KS

SERVICE CHANNEL

RECYFIX® NC 150

Accessories

Trash boxes



Trash box with galvanised bucket, with ductile iron grating, black, SW 18 mm, class D 400, 4-fold bolted

Trash box with galvanised bucket, with ductile iron grating, black, SW 18 mm, class E 600, 4-fold bolted

	Length mm	Width mm	Height mm	Weight kg	Item No.
Trash box with galvanised bucket, with ductile iron grating, black, SW 18 mm, class D 400, 4-fold bolted	500	212	518	22,20	48854
Trash box with galvanised bucket, with ductile iron grating, black, SW 18 mm, class E 600, 4-fold bolted	500	212	518	22,20	48853

End caps



End cap combined,
PP with outlet DN/OD 75/110
for type 01

	Length mm	Width mm	Height mm	Weight kg	Item No.
End cap combined, PP with outlet DN/OD 75/110 for type 01	-	210	218	0,10	40591

RECYFIX®NC 150

Further accessories

	Length mm	Width mm	Height mm	Weight kg	Item No.
Mud bucket vertical made of modified composite for outlet DN/OD 160, black	-	-	-	0,10	845
Universal sealant/adhesive Siga-Meltell® 220 black**	-	-	-	1,00	19051
Tubular pistol for universal sealant/adhesive Siga-Meltell® 220 black**	-	-	-	1,30	6891
Holesaw, Ø 102 mm, with tool holder for a driller	-	-	-	0,60	980

****Amount needed for Type 01: approx. 17 ml per joint**

FASERFIX®SUPER

FASERFIX®KS

FASERFIX®BIG SLG

FASERFIX®BIG BL

RECYFIX®PLUS X

RECYFIX®NC

RECYFIX®MONOTEC

RECYFIX®HICAP®F

FASERFIX®POINT KS

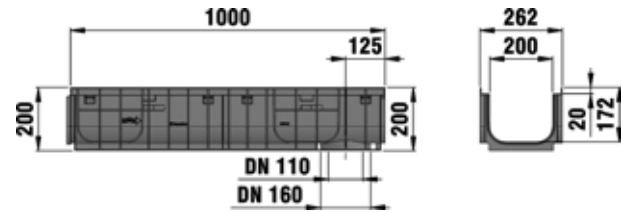
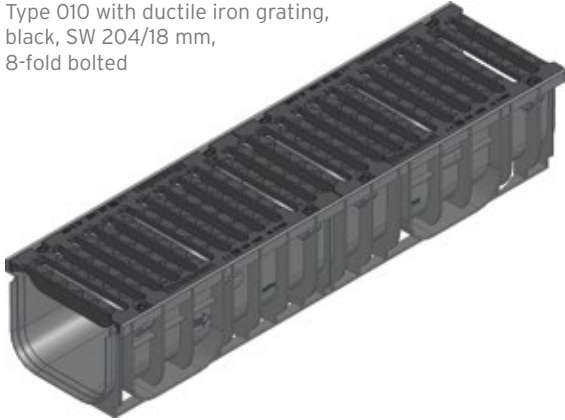
SERVICE CHANNEL

RECYFIX®NC 200

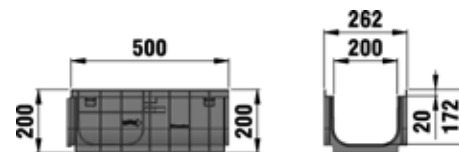
Combi article

RECYFIX®NC 200, class D 400

Type 010 with ductile iron grating,
black, SW 204/18 mm,
8-fold bolted



Type 01005 with ductile iron grating,
black, SW 204/18 mm, 4-fold bolted

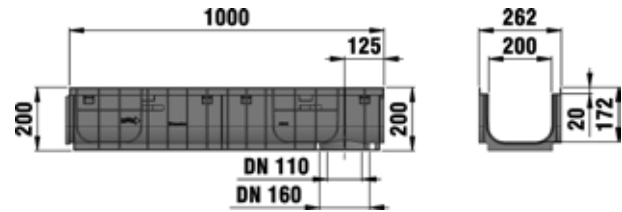
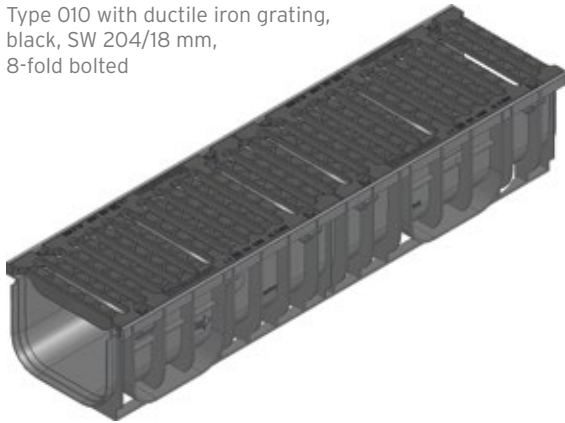


	Length mm	Width mm	Height mm	Internal channel cross-sect. cm ²	Intake cross-sect. cm ² /m	Weight kg	Item No.
Type 010 with ductile iron grating, black, SW 204/18 mm, 8-fold bolted	1000	262	200	294	936	20,75	49573
Type 01005 with ductile iron grating, black, SW 204/18 mm, 4-fold bolted	500	262	200	294	936	10,38	49548

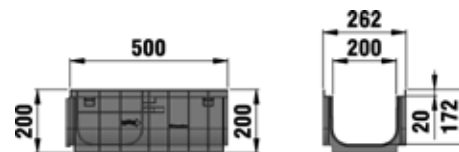
RECYFIX®NC 200

RECYFIX®NC 200, class E 600

Type 010 with ductile iron grating, black, SW 204/18 mm, 8-fold bolted



Type 01005 with ductile iron grating, black, SW 204/18 mm, 4-fold bolted



	Length mm	Width mm	Height mm	Internal channel cross-sect. cm ²	Intake cross-sect. cm ² /m	Weight kg	Item No.
Type 010 with ductile iron grating, black, SW 204/18 mm, 8-fold bolted	1000	262	200	294	936	20,80	49572
Type 01005 with ductile iron grating, black, SW 204/18 mm, 4-fold bolted	500	262	200	294	936	10,40	49547

FASERFIX®SUPER

FASERFIX®KS

FASERFIX®BIG SLG

FASERFIX®BIG BL

RECYFIX®PLUS X

RECYFIX®NC

RECYFIX®MONOTEC

RECYFIX®HICAP®F

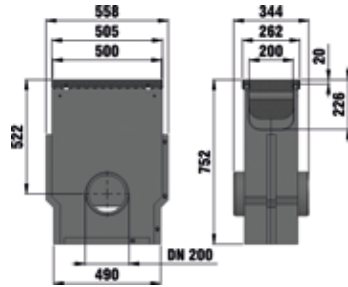
FASERFIX®POINT KS

SERVICE CHANNEL

RECYFIX® NC 200

Accessories

Trash boxes



Trash box with galvanised bucket, with ductile iron grating, black, SW 18 mm, class E 600, 4-fold bolted

	Length mm	Width mm	Height mm	Weight kg	Item No.
Trash box with galvanised bucket, with ductile iron grating, black, SW 18 mm, class D 400, 4-fold bolted	500	262	752	35,20	49554
Trash box with galvanised bucket, with ductile iron grating, black, SW 18 mm, class E 600, 4-fold bolted	500	262	752	35,20	49553

End caps



End cap combined made of PP closed / with outlet DN/OD 110, type 010

	Length mm	Width mm	Height mm	Weight kg	Item No.
End cap combined made of PP closed / with outlet DN/OD 110, type 010	-	258	217	0,20	41387

RECYFIX®NC 200

Further accessories

	Length mm	Width mm	Height mm	Weight kg	Item No.
Universal sealant/adhesive Siga-Meltell® 220 black**	-	-	-	1,00	19051
Tubular pistol for universal sealant/adhesive Siga-Meltell® 220 black**	-	-	-	1,30	6891
Holesaw, Ø 102 mm, with tool holder for a driller	-	-	-	0,60	980

**Amount needed for Type 010: approx. 18 ml per joint

FASERFIX®SUPER

FASERFIX®KS

FASERFIX®BIG SLG

FASERFIX®BIG BL

RECYFIX®PLUS X

RECYFIX®NC

RECYFIX®MONOTEC

RECYFIX®HICAP®F

FASERFIX®POINT KS

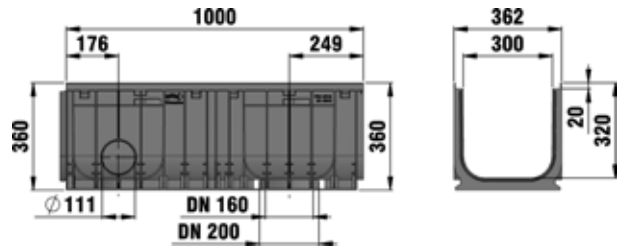
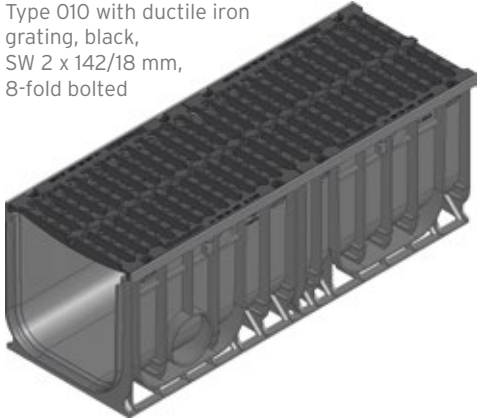
SERVICE CHANNEL

RECYFIX®NC 300

Combi article

RECYFIX®NC 300, class D 400

Type 010 with ductile iron grating, black, SW 2 x 142/18 mm, 8-fold bolted



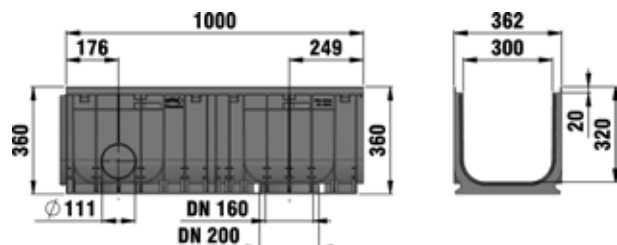
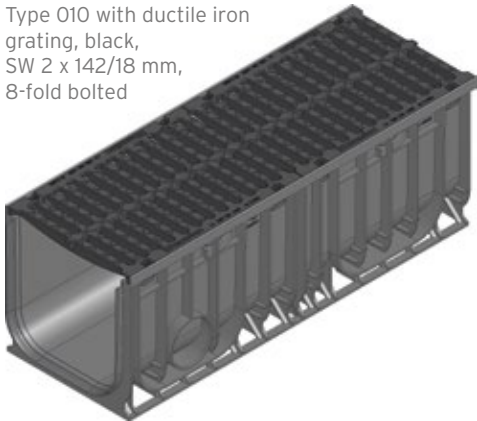
Length mm	Width mm	Height mm	Internal channel cross-sect. cm ²	Intake cross-sect. cm ² /m	Weight kg	Item No.
--------------	-------------	--------------	---	---	--------------	-------------

Type 010 with ductile iron grating, black, SW 2 x 142/18 mm, 8-fold bolted

1000	362	360	873	1293	34,70	49873
------	-----	-----	-----	------	-------	-------

RECYFIX®NC 300, class E 600

Type 010 with ductile iron grating, black, SW 2 x 142/18 mm, 8-fold bolted



Length mm	Width mm	Height mm	Internal channel cross-sect. cm ²	Intake cross-sect. cm ² /m	Weight kg	Item No.
--------------	-------------	--------------	---	---	--------------	-------------

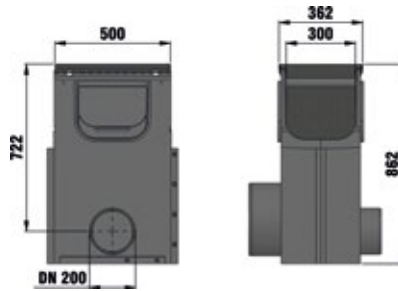
Type 010 with ductile iron grating, black, SW 2 x 142/18 mm, 8-fold bolted

1000	362	360	873	1293	35,00	49872
------	-----	-----	-----	------	-------	-------

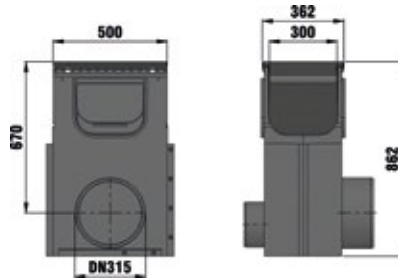
RECYFIX®NC 300

Accessories

Trash boxes



Trash box with galvanised mud bucket and ductile iron grating, SW 18 mm, black, class D 400, locked, with PVC-U pipe outlet DN/OD 200



Trash box with galvanised mud bucket and Ductile iron grating, SW 18 mm, black, class E 600, locked, with PVC-U pipe outlet DN/OD 315

	Length mm	Width mm	Height mm	Weight kg	Item No.
Trash box with galvanised mud bucket and ductile iron grating, SW 18 mm, black, class D 400, locked, with PVC-U pipe outlet DN/OD 200	500	362	862	50,50	32330
Trash box with galvanised mud bucket and Ductile iron grating, SW 18 mm, black, class D 400, locked, with PVC-U pipe outlet DN/OD 315	500	362	862	50,50	32337
Trash box with galvanised mud bucket and Ductile iron grating, SW 18 mm, black, class E 600, locked, with PVC-U pipe outlet DN/OD 200	500	362	862	50,50	32331
Trash box with galvanised mud bucket and Ductile iron grating, SW 18 mm, black, class E 600, locked, with PVC-U pipe outlet DN/OD 315	500	362	862	50,50	32338

FASERFIX®SUPER

FASERFIX®KS

FASERFIX®BIG SLG

FASERFIX®BIG BL

RECYFIX®PLUS X

RECYFIX®NC

RECYFIX®MONOTEC

RECYFIX®HICAP®F

FASERFIX®POINT KS

SERVICE CHANNEL

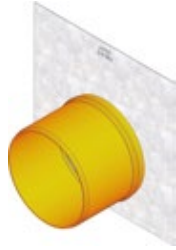
RECYFIX® NC 300

Accessories

End caps



End cap closed, galvanised, type 010



End cap with horizontal PVC-U pipe outlet DN/OD 200, galvanised, type 010

	Length mm	Width mm	Height mm	Weight kg	Item No.
End cap closed, galvanised, type 010	-	360	360	1,90	49783
End cap with horizontal PVC-U pipe outlet DN/OD 200, galvanised, type 010	-	360	360	2,60	49791

RECYFIX®NC 300

Further accessories

	Length mm	Width mm	Height mm	Weight kg	Item No.
Universal sealant/adhesive Siga-Meltell® 220 black**	-	-	-	1,00	19051
Tubular pistol for universal sealant/adhesive Siga-Meltell® 220 black**	-	-	-	1,30	6891
Holesaw, Ø 102 mm, with tool holder for a driller	-	-	-	0,60	980

**Amount needed for Type 010: approx. 32 ml per joint

FASERFIX®SUPER

FASERFIX®KS

FASERFIX®BIG SLG

FASERFIX®BIG BL

RECYFIX®PLUS X

RECYFIX®NC

RECYFIX®MONOTEC

RECYFIX®HICAP®F

FASERFIX®POINT KS

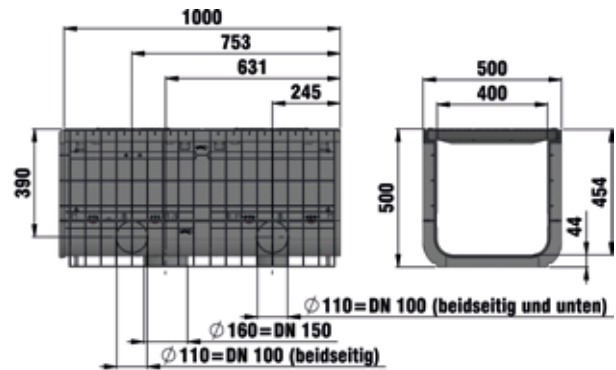
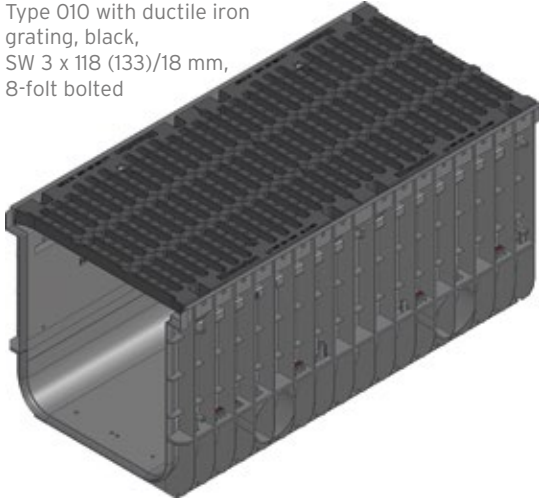
SERVICE CHANNEL

RECYFIX®NC 400

Combi article

RECYFIX®NC 400, class D 400

Type 010 with ductile iron grating, black, SW 3 x 118 (133)/18 mm, 8-folt bolted



Length mm	Width mm	Height mm	Internal channel cross-sect. cm ²	Intake cross-sect. cm ² /m	Weight kg	Item No.	
Type 010 with ductile iron grating, black, SW 3 x 118 (133)/18 mm, 8-folt bolted	1000	500	500	1640	1753	57,20	42421

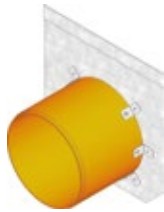
RECYFIX®NC 400

Accessories

End caps



End cap closed, galvanised, type 010



End cap with horizontal PVC-U pipe outlet DN/OD 315, galvanised, type 010

	Length mm	Width mm	Height mm	Weight kg	Item No.
End cap closed, galvanised, type 010	-	500	498	3,10	42481
End cap closed, stainless steel, type 010	-	500	498	3,20	42482
End cap with horizontal PVC-U pipe outlet DN/OD 315, galvanised, type 010	-	500	498	4,90	42487
End cap with horizontal PVC-U pipe outlet DN/OD 315, stainless steel, type 010	-	500	498	4,90	42488

The quality of stainless steel material corresponds to CNS 1.4301 or CNS 1.4307.

Further accessories

	Length mm	Width mm	Height mm	Weight kg	Item No.
Universal sealant/adhesive Siga-Meltell® 220 black**	-	-	-	1,00	19051
Tubular pistol for universal sealant/adhesive Siga-Meltell® 220 black**	-	-	-	1,30	6891
Holesaw, Ø 102 mm, with tool holder for a drill	-	-	-	0,60	980

**Amount needed for Type 010: approx. 32 ml per joint

RECYFIX MONOTEC

Drainage system for traffic, parking and commercial areas.





RECYFIX MONOTEC

Drainage system for traffic, parking and commercial areas.

1 Requirements

Monolithic drainage channels* in traffic areas must:

- be permanently corrosion-resistant
- be secure against vandalism
- be maintenance-free and drain reliably
- satisfy aesthetic demands

2 Application areas

- parking areas
- market squares, public areas
- school playgrounds
- residential areas
- gas stations
- commercial areas

3 Solutions

Therefore, RECYFIX MONOTEC channels are especially suitable for draining parking and commercial areas:

- lightweight and easy processing for cost-effective installation
- channel made of specially resistant modified polypropylene
- leak-proof and chemical-resistant
- sturdy and unbreakable
- very quick to install

*Get more information about the Hightech-Manufacturing process on page 218.





Installation in asphalt surface



Installation in concrete surface



AMAZON regional distribution centre, Doncaster, United Kingdom



Installation in paving surfaces



Ideal for heavily-trafficked areas

FASERFIX®SUPER
FASERFIX®KS
FASERFIX®BIG SLG
FASERFIX®BIG BL
RECYFIX®PLUS X
RECYFIX®NC
RECYFIX®MONOTEC
RECYFIX®HICAP®F
FASERFIX®POINT KS
SERVICE CHANNEL

YOUR BENEFITS WITH **RECYFIX MONOTEC**

VERY HIGH HYDRAULIC CAPACITY

- optimised inlet surface with **FIBRETEC** design
 - high volume through slim channel construction
- Example:
RECYFIX MONOTEC 200 - capacity 746 cm² $\hat{=}$ 74,6 litre/metre

= PERFORMANCE ASSURED



UNBREAKABLE

- elastic and especially resistant material (PP)
- resistant to traffic volume and temperature differences in daily use

= QUALITY- & PERFORMANCE ASSURED



HIGH RESISTANCE

- high resistance to frost, de-icing salt and UV light
- withstands high temperature differences
- chemical-resistant

= QUALITY- & PERFORMANCE ASSURED



MONOLITHIC DRAINAGE CHANNEL FOR HIGHEST STABILITY

- manufactured with two parts, which are joined together into a monolithic channel in a mirror welding process. In the mirror welding process the joining surfaces are heated with heating elements (= mirror) and finally pressed together. All this is done without any additional connecting material. Afterwards, the connections are extremely reliable.
- vandal-proof
- permanently withstands frequent traffic

= QUALITY- & PERFORMANCE ASSURED



LOW MAINTENANCE

- easy cleaning by rinsing through the inspection box
- durable high-quality appearance

= TIME- & COST SAVINGS



LOW WEIGHT ENSURES EASY HANDLING ON SITE

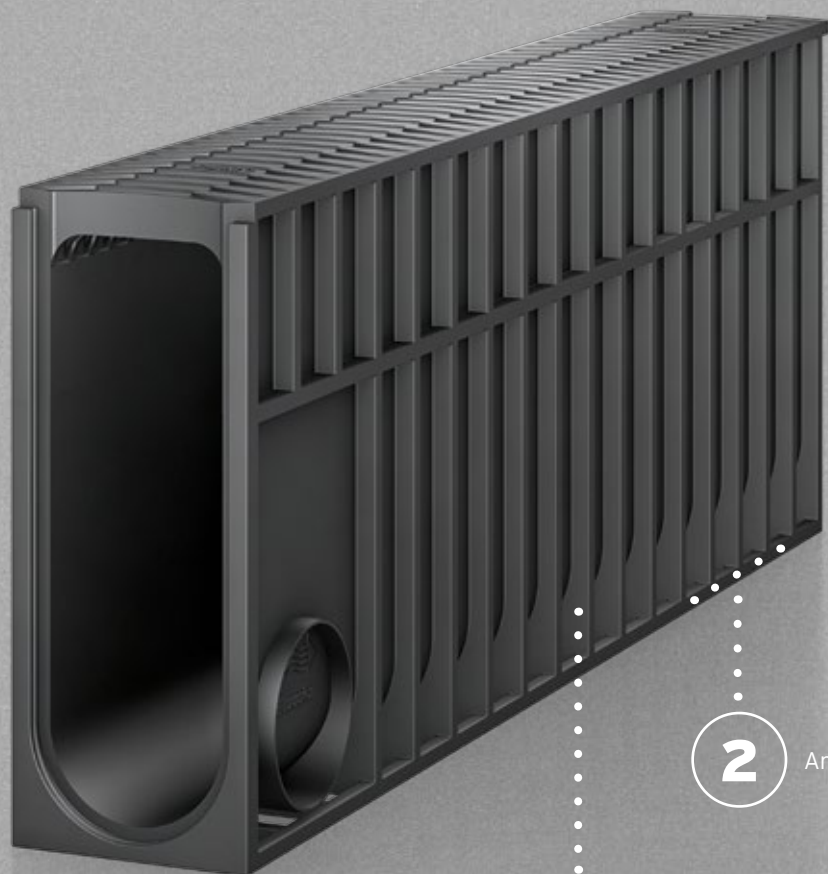
- significantly lighter than channels made of mineral material
 - especially easy transport and fast installation
- Example: **RECYFIX MONOTEC 200** - weight 16.30 kg

= TIME- & COST SAVINGS



IDEAL FOR ...

heavily frequented applications with high retention volume up to class D 400, such as supermarkets, car parks and petrol stations.



- 1** Ribs for stability and lateral movement protection
- 2** Anti floating

RECYFIX MONOTEC

Optimal hydraulic capacity through slim design.

The RECYFIX MONOTEC channel is made of highly resistant and unbreakable polypropylene. Therefore, a particularly slender design is possible which has a positive effect with regard to drainage capacity. The smallest model, with a nominal width of 100 mm and a height of 230 mm, already achieves a drainage cross-section of 190.5 cm². Comparable channels, made from other materials, must have much thicker sidewalls which significantly reduces the drainage cross-section.

The RECYFIX MONOTEC Channel range consists of 3 heights with a nominal width of 100 mm and one model with a nominal width of 200 mm. Long-term practical tests and computer-aided simulations lead to the same result: The RECYFIX MONOTEC accumulates heavy rainfall, provides a sufficient backwater reserve and drains large surfaces safely and reliably.



Enormous Volume

- channel reliably takes in heavy rain
- more area per channel meter can be drained

RECYFIX MONOTEC

Nominal size	Height	Drainage cross-section		Volume/Channel
100 mm	230 mm	190.5 cm ⁺		19.1 l
100 mm	280 mm	245.5 cm ⁺		24.6 l
100 mm	380 mm	355.5 cm ⁺		35.6 l
200 mm	450 mm	746.1 cm ⁺		74.6 l

Maximum hydraulic capacity

The fiber-reinforced polypropylene material enables a slim channel design. As a result, a maximum hydraulic capacity is achieved.



NW 100, Type 230



NW 100, Type 280



NW 100, Type 380



NW 200, Type 450



NW 200, Type 450



Lower drainage capacity, up to 45%, with monolithic channels made from other materials

FIBRETEC slotted grating: Proven to make progress

In 2010, HAURATON invented the FIBRETEC slotted grating. This grating is specially designed for maximum hydraulic performance. Optimized inlet radii ensure that the largest amount of water is led into the channel within the shortest time. More than one million channels sold expresses its great popularity. Deliberately, the design has now been transferred to the RECYFIX MONOTEC. Along with the enormous volume of the channel, a product with the highest hydraulic demands has emerged - the perfect combination of water intake, retention and drainage.



Testing at HAURATON Hydraulic Center in Budapest

FASERFIX®SUPER
FASERFIX®KS
FASERFIX®BIG SLG
FASERFIX®BIG BL
RECYFIX®PLUS X
RECYFIX®NC
RECYFIX®MONOTEC
RECYFIX®HICAP®F
FASERFIX®POINT KS
SERVICE CHANNEL

RECYFIX MONOTEC

Drainage system for traffic, parking and commercial areas.

RECYFIX MONOTEC channels meet the requirements of DIN EN 1433 and are suitable for the following load classes:



**Category C 250,
Load Class 250 kN**

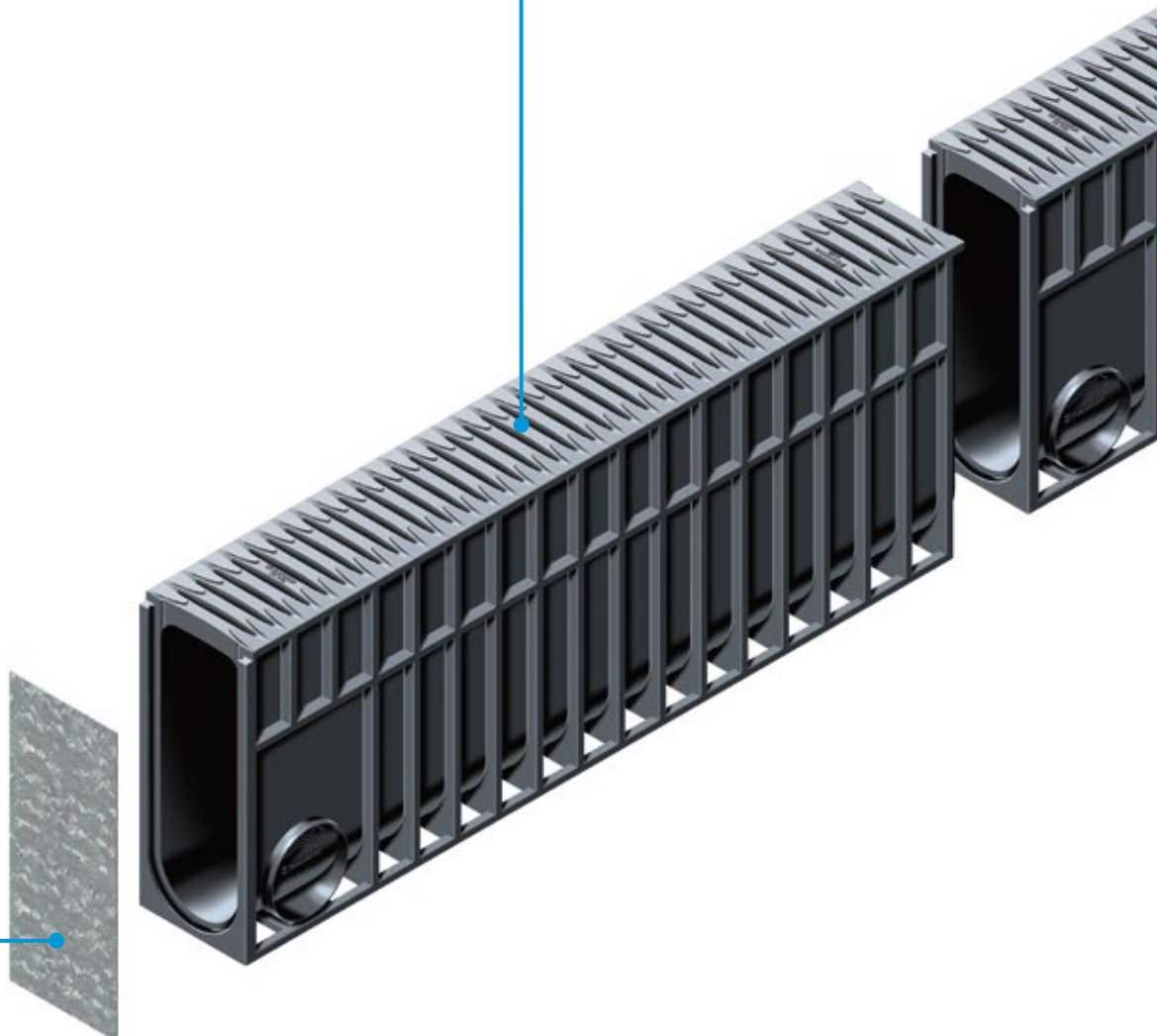


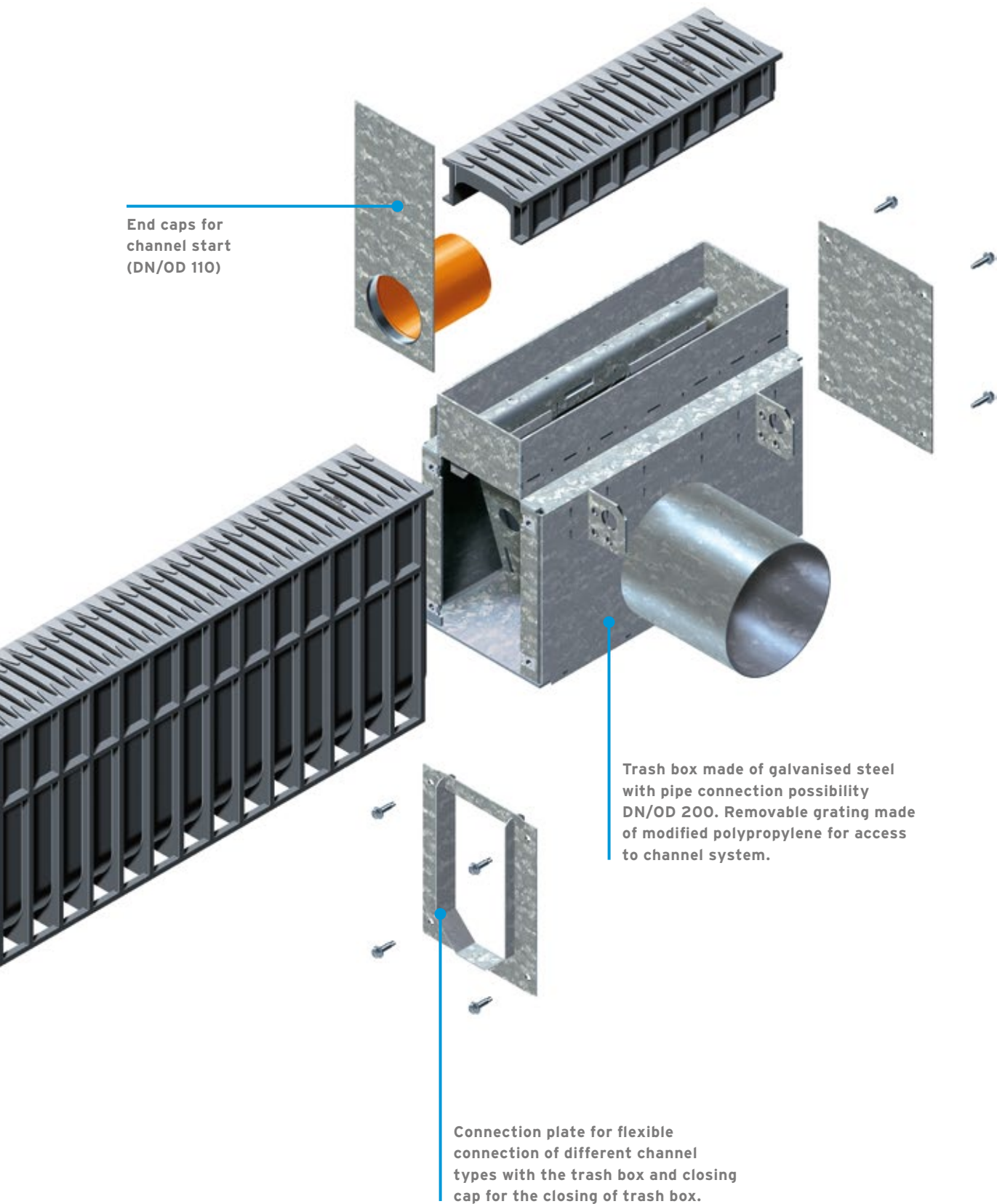
**Category D 400,
Load Class 400 kN**

If in doubt, always select the higher class.

RECYFIX MONOTEC channels made of modified polypropylene, according to DIN EN 1433, CE-conform.

End caps for
channel start
(DN/OD 110)





End caps for
channel start
(DN/OD 110)

Trash box made of galvanised steel
with pipe connection possibility
DN/OD 200. Removable grating made
of modified polypropylene for access
to channel system.

Connection plate for flexible
connection of different channel
types with the trash box and closing
cap for the closing of trash box.

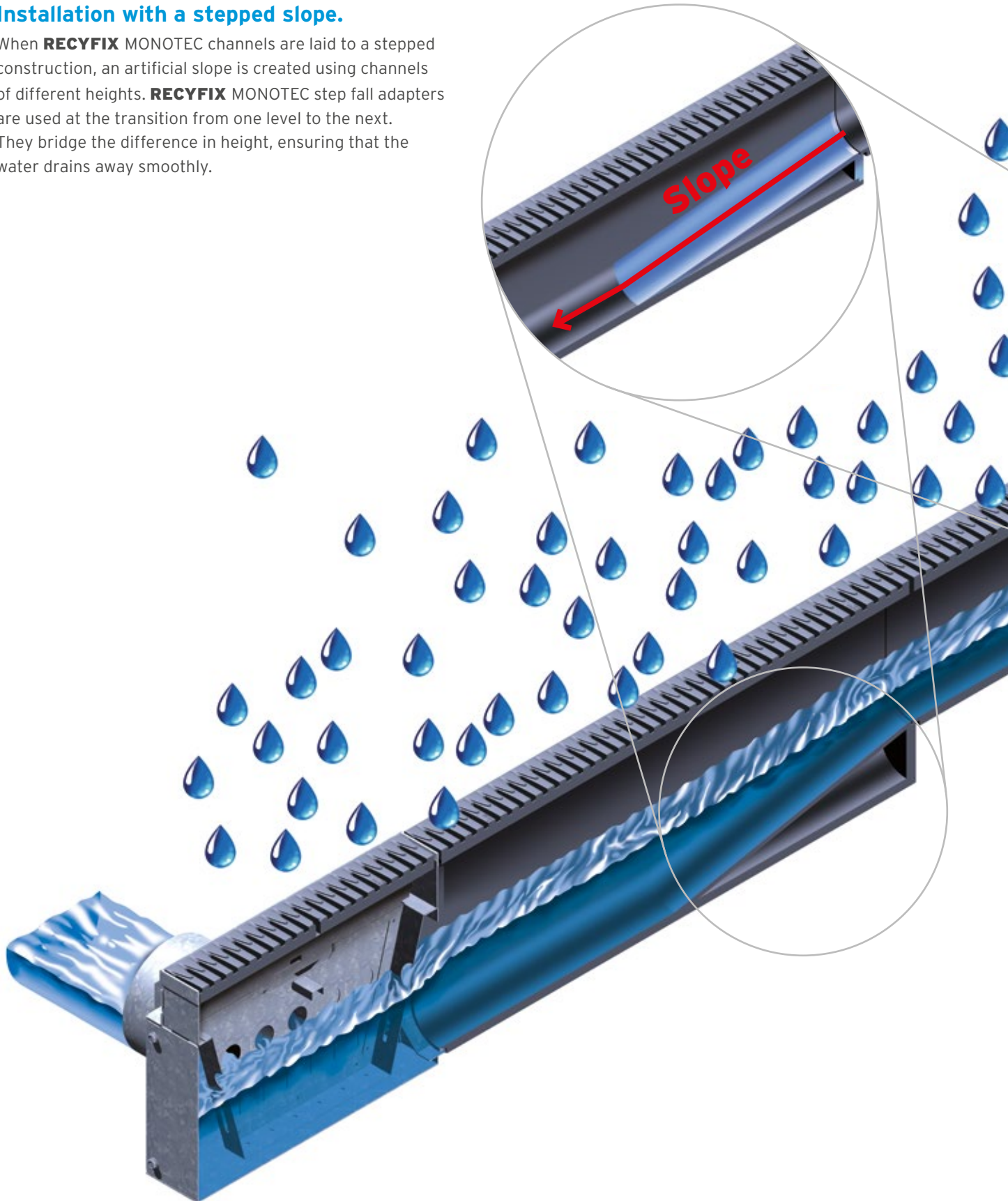
FASERFIX®SUPER
FASERFIX®KS
FASERFIX®BIG SLG
FASERFIX®BIG BL
RECYFIX®PLUS X
RECYFIX®NC
RECYFIX®MONOTEC
RECYFIX®HICAP®F
FASERFIX®POINT KS
SERVICE CHANNEL

RECYFIX MONOTEC Step Fall

Reliable hydraulic performance for channel runs with a stepped slope.

Installation with a stepped slope.

When **RECYFIX** MONOTEC channels are laid to a stepped construction, an artificial slope is created using channels of different heights. **RECYFIX** MONOTEC step fall adapters are used at the transition from one level to the next. They bridge the difference in height, ensuring that the water drains away smoothly.





RECYFIX MONOTEC Step Fall Adapter, black, for channel runs with step fall

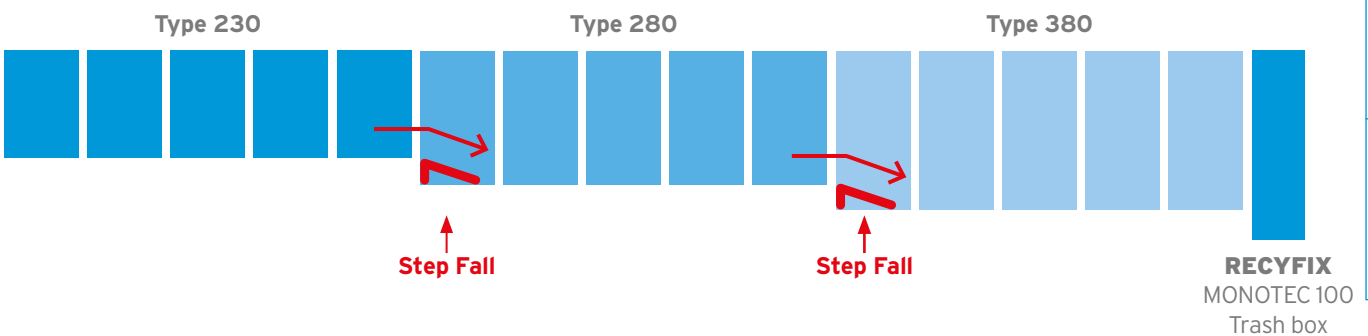


Step Fall Adapter for transition from type 230 to 280



Step Fall Adapter for transition from type 280 to 380

RECYFIX MONOTEC Channel 100:



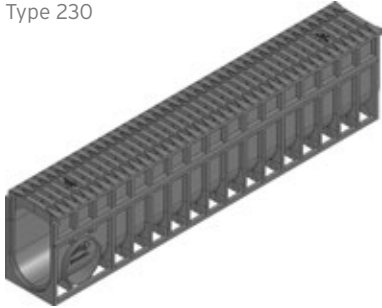
FASERFIX®SUPER
FASERFIX®KS
FASERFIX®BIG SLG
FASERFIX®BIG BL
RECYFIX®PLUS X
RECYFIX®NC
RECYFIX®MONOTEC
RECYFIX®HICAP®F
FASERFIX®POINT KS
SERVICE CHANNEL

RECYFIX® MONOTEC 100

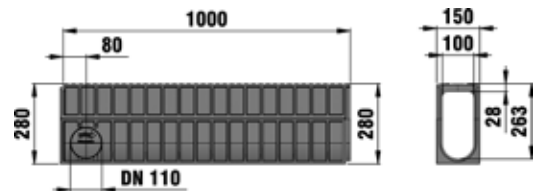
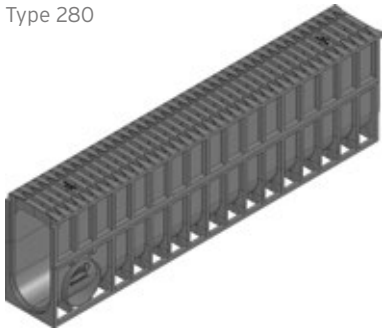
Monolithic channel

RECYFIX® MONOTEC 100, up to class D 400

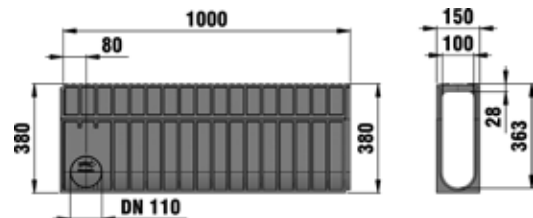
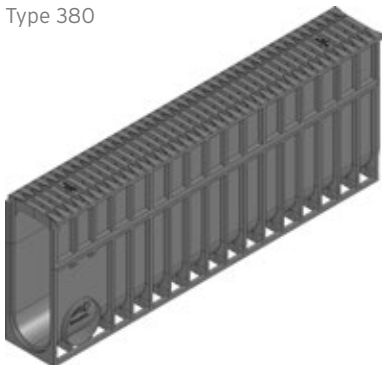
Type 230



Type 280



Type 380



	Length mm	Width mm	Height mm	Internal channel cross-sect. cm ²	Intake cross-sect. cm ² /m	Weight kg	Item No.
Type 230	1000	150	230	190.5	372	7,60	36000
Type 280	1000	150	280	245.5	372	8,40	36005
Type 380	1000	150	380	355.5	372	10,40	36015

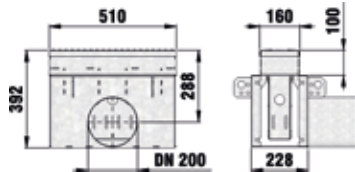
RECYFIX® MONOTEC 100

Accessories

Trash boxes



Trash box with galvanised bucket



Connection plate with screw set, galvanised, channel type 230



Closing cap with screw set, galvanised, for trash box/inspection box

	Length mm	Width mm	Height mm	Weight kg	Item No.
Trash box with galvanised bucket	510	160	392	29,50	36045
Looking handle with screw for protection against vandalism	28	117	14	0,10	36098
Connection plate with screw set, galvanised, channel type 230	-	216	283	1,10	36032
Connection plate with screw set, galvanised, channel type 280	-	216	283	1,00	36037
Connection plate with screw set, galvanised, channel type 380	-	216	283	0,90	36047
Closing cap with screw set, galvanised, for trash box/inspection box	-	216	283	1,00	36023

All trash and inspection boxes are factory-made with the end face open to enable a modular use for all application situations:

- Option 1: one-sided channel connection: You will need 1 connection plate with the same channel height (= same type) and an closing cap.
- Option 2: two-sided channel connection: You will need 2 connection plates with the same channel height (= same type).

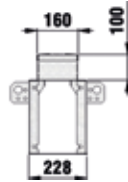
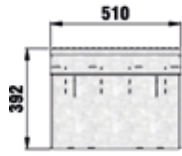
RECYFIX® MONOTEC 100

Accessories

Inspection box



Inspection box



Connection plate with screw set, galvanised, channel type 230



Closing cap with screw set, galvanised, for trash box/inspection box

	Length mm	Width mm	Height mm	Weight kg	Item No.
Inspection box	510	160	392	15,60	36035
Looking handle with screw for protection against vandalism	28	117	14	0,10	36098
Connection plate with screw set, galvanised, channel type 230	-	216	283	1,10	36032
Connection plate with screw set, galvanised, channel type 280	-	216	283	1,00	36037
Connection plate with screw set, galvanised, channel type 380	-	216	283	0,90	36047
Closing cap with screw set, galvanised, for trash box/inspection box	-	216	283	1,00	36023

All trash and inspection boxes are factory-made with the end face open to enable a modular use for all application situations:

- Option 1: one-sided channel connection: You will need 1 connection plate with the same channel height (= same type) and an closing cap.
- Option 2: two-sided channel connection: You will need 2 connection plates with the same channel height (= same type).

RECYFIX® MONOTEC 100

End caps



End cap closed, galvanised, type 230



End cap closed, galvanised, type 280



End cap closed, galvanised, type 380



End cap with horizontal PVC-U pipe outlet DN/OD 110, galvanised, type 280



End cap with horizontal PVC-U pipe outlet DN/OD 110, galvanised, type 380

	Length mm	Width mm	Height mm	Weight kg	Item No.
End cap closed, galvanised, type 230	-	150	224	0,50	36080
End cap closed, galvanised, type 280	-	150	274	0,60	36082
End cap closed, galvanised, type 380	-	150	374	0,90	36086
End cap with horizontal PVC-U pipe outlet DN/OD 110, galvanised, type 230	-	150	224	0,70	36090
End cap with horizontal PVC-U pipe outlet DN/OD 110, galvanised, type 280	-	150	274	0,80	36092
End cap with horizontal PVC-U pipe outlet DN/OD 110, galvanised, type 380	-	150	374	1,00	36096

Further accessories



Step Fall Adapter for step slope, from type 230 to 280



Step Fall Adapter for step slope, from type 280 to 380

	Length mm	Width mm	Height mm	Weight kg	Item No.
Step Fall Adapter for step slope, from type 230 to 280	510	125	113	0,50	36070
Step Fall Adapter for step slope, from type 280 to 380	510	125	163	0,60	36071
Universal sealant/adhesive Siga-Meltell® 220 black**	-	-	-	1,00	19051
Tubular pistol for universal sealant/adhesive Siga-Meltell® 220 black**	-	-	-	1,30	6891

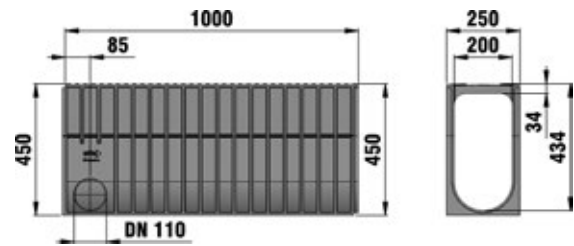
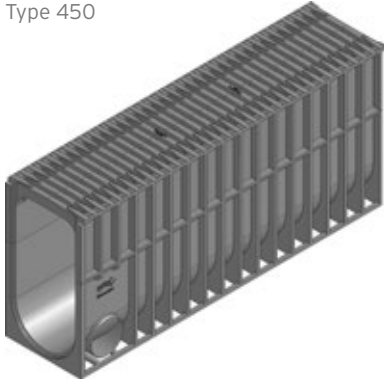
**Amount needed for Type 380: approx. 32 ml per joint

RECYFIX® MONOTEC 200

Monolithic channel

RECYFIX® MONOTEC 200, up to class D 400

Type 450

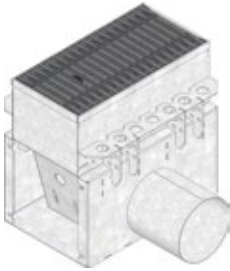


	Length mm	Width mm	Height mm	Internal channel cross-sect. cm ²	Intake cross-sect. cm ² /m	Weight kg	Item No.
Type 450	1000	250	450	746.1	656	16,30	36215

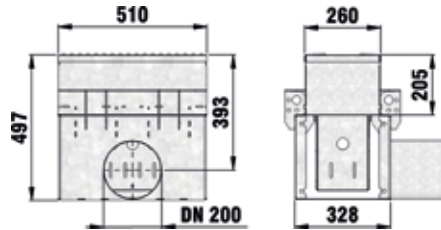
RECYFIX® MONOTEC 200

Accessories

Trash boxes



Trash box with galvanised bucket



Locking handle with screw for protection against vandalism



Connection plate with screw set, galvanised, channel type 450



Closing cap with screw set, galvanised, for trash box/inspection box

	Length mm	Width mm	Height mm	Weight kg	Item No.
Trash box with galvanised bucket	510	260	497	42,70	36245
Locking handle with screw for protection against vandalism	-	206	120	0,20	36298
Connection plate with screw set, galvanised, channel type 450	-	316	283	1,20	36247
Connection plate with screw set, galvanised, for RECYFIX MONOTEC 100 type 380	-	316	283	1,60	36147
Closing cap with screw set, galvanised, for trash box/inspection box	-	316	283	1,50	36223

All trash and inspection boxes are factory-made with the end face open to enable a modular use for all application situations:

- Option 1: one-sided channel connection: You will need 1 connection plate with the same channel height (= same type) and an closing cap.
- Option 2: two-sided channel connection: You will need 2 connection plates with the same channel height (= same type).

FASERFIX®SUPER

FASERFIX®KS

FASERFIX®BIG SLG

FASERFIX®BIG BL

RECYFIX®PLUS X

RECYFIX®NC

RECYFIX®MONOTEC

RECYFIX®HICAP®F

FASERFIX®POINT KS

SERVICE CHANNEL

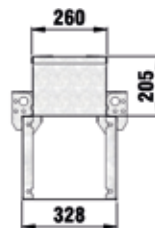
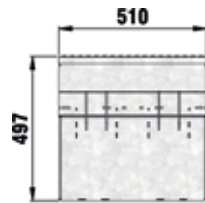
RECYFIX® MONOTEC 200

Accessories

Inspection box



Inspection box



Looking handle with screw for protection against vandalism



Connection plate with screw set, galvanised, channel type 450



Closing cap with screw set, galvanised, for trash box/inspection box

	Length mm	Width mm	Height mm	Weight kg	Item No.
Inspection box	510	260	497	24,50	36235
Looking handle with screw for protection against vandalism	-	206	120	0,20	36298
Connection plate with screw set, galvanised, channel type 450	-	316	283	1,20	36247
Connection plate with screw set, galvanised, for RECYFIX MONOTEC 100 type 380	-	316	283	1,60	36147
Closing cap with screw set, galvanised, for trash box/inspection box	-	316	283	1,50	36223

- **Option 1: one-sided channel connection:** You will need 1 connection plate with the same channel height (= same type) and an closing cap.
- **Option 2: two-sided channel connection:** You will need 2 connection plates with the same channel height (= same type).

RECYFIX® MONOTEC 200

End caps



End cap closed, galvanised, type 450



End cap with horizontal PVC-U pipe outlet DN/OD 110, galvanised, type 450

	Length mm	Width mm	Height mm	Weight kg	Item No.
End cap closed, galvanised, type 450	-	250	441	1,70	36286
End cap with horizontal PVC-U pipe outlet DN/OD 110, galvanised, type 450	-	250	441	1,90	36296

Further accessories

	Length mm	Width mm	Height mm	Weight kg	Item No.
Universal sealant/adhesive Siga-Meltell® 220 black**	-	-	-	1,00	19051
Tubular pistol for universal sealant/adhesive Siga-Meltell® 220 black**	-	-	-	1,30	6891

**Amount needed for Type 450: approx. 42 ml per joint

RECYFIX HICAP F

High capacity drainage system for the highest load category.



**Yas Marina Circuit,
Abu Dhabi, U.A.E.**



RECYFIX HICAP F

High capacity drainage system for the highest load category.

1 Requirements

Drainage system for extreme conditions with

- high hydraulic requirements
- high loads
- large areas
- ailing sewer systems

2 Application areas

- parking areas
- supermarkets/shopping centres
- pedestrian areas
- airports
- industrial estates
- container terminals
- ports
- circuits and test tracks

3 Solutions

Special features of RECYFIX HICAP:

- drainage and retention in one component
- large selection of nominal widths
- for all loading classes and all common road surface finishes
- variety of variants:
 - stainless steel slot & design grating WAVE
 - ductile iron slots
- less manholes and outlets
- provides an uniform visual appearance also in large projects
- no separate gratings
- no expensive pipe installations required
- high hydraulic capacity
- easy to maintain



Chopin Airport, Warsaw, Poland



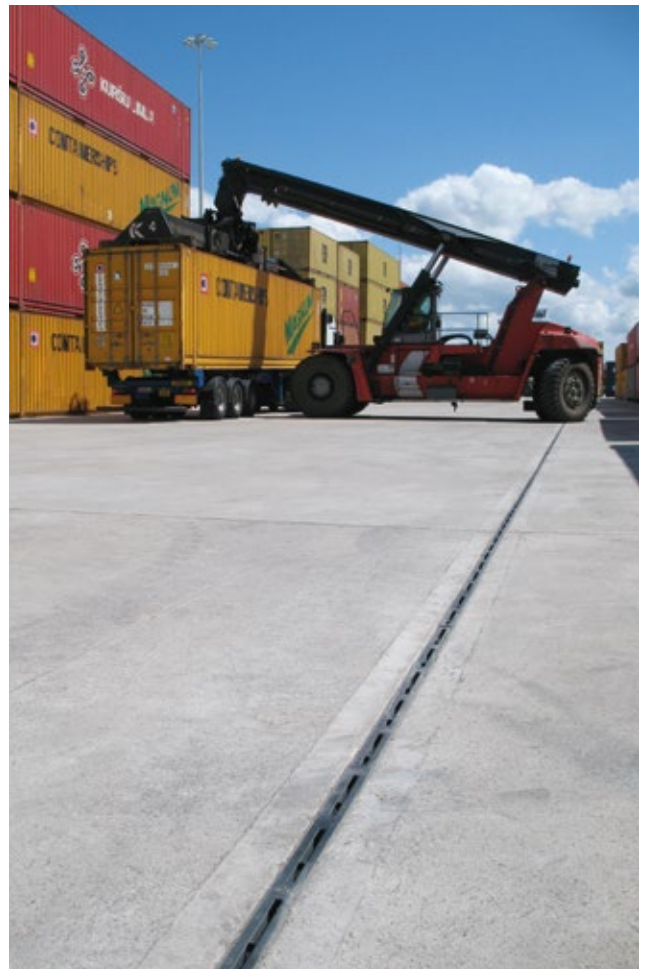
Pedestrian area, Poland



Skyscraper ZLOTA 44 in Warsaw, Poland



Viettel company headquarters, Hanoi, Vietnam



Teesport Container Terminal, UK

FASERFIX®SUPER
FASERFIX®KS
FASERFIX®BIG SLG
FASERFIX®BIG BL
RECYFIX®PLUS X
RECYFIX®NC
RECYFIX®MONOTEC
RECYFIX®HICAP®F
FASERFIX®POINT KS
SERVICE CHANNEL

RECYFIX HICAP F

Water drainage and retention.

Retention

The design of RECYFIX HICAP, channels is unique due to its high hydraulic efficiency which ensures additional retention capacity. The system simultaneously performs three tasks:

- drains water, even from large areas
- stores excessive amounts of water
- channels water to the discharge point

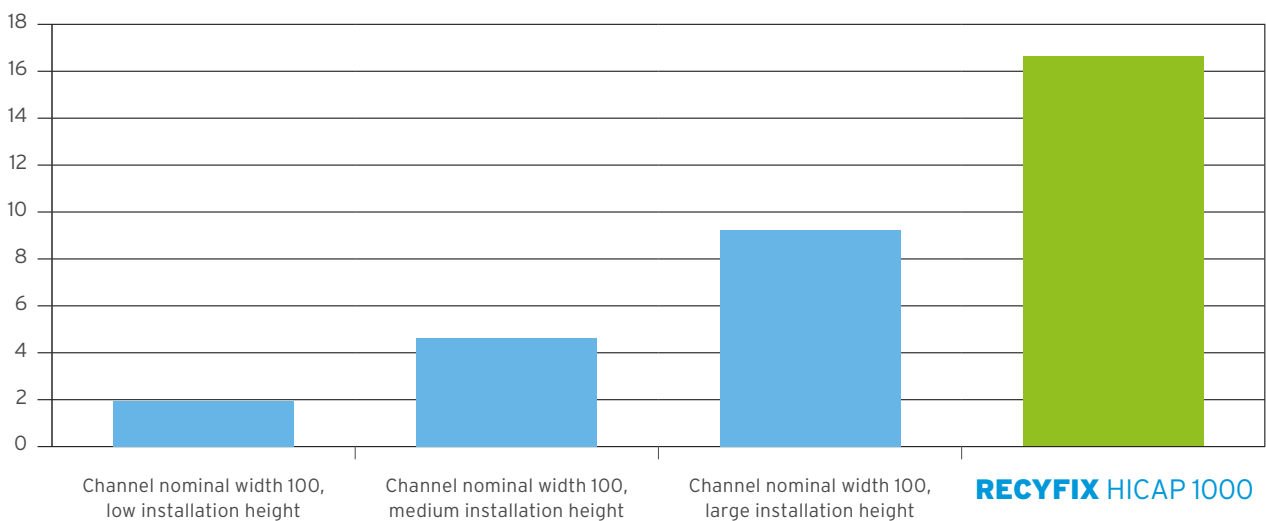
RECYFIX HICAP, eliminates the need for additional storage reservoirs.

Modular design - low number of connections

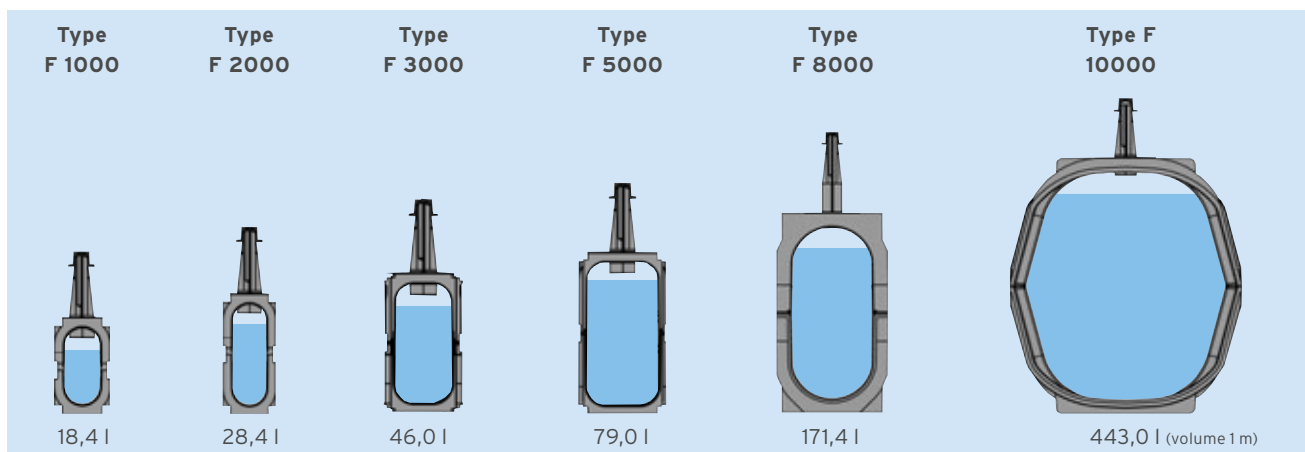
RECYFIX HICAP, is so effective because large areas can be implemented with one single channel run. Starting with a nominal width of 100 mm it offers the option to expand up to 680 mm.

Drainage wells can be installed in any chosen location used for connecting channels to sewage systems or for connecting other drainage channels - it can also be used as a pumping well/chamber.

Comparison of flow capacity l/s



Range of RECYFIX HICAP



A practical example:

The following practical example demonstrates the large drainage- and retention capacity of RECYFIX HICAP channels:

Logistics Centre Plovdiv, Bulgaria

Channel length: 356 m, divided:

- 66 m RECYFIX HICAP F 5000 Type 5300, slot 28 mm
- 136 m RECYFIX HICAP F 8000 Type 8300, slot 28 mm
- 154 m RECYFIX HICAP F 10000 Type 10300, slot 28 mm

Total drainage area: 10,730 m²

Runoff coefficient (specified by the planner): 0.85

Rain yield factor (specified by the planner): 300 l/s ha

→ **Discharge capacity at end of channel run: 252 l/s**

One single channel run drains a surface of more than 10,000 m², directs the entire water amount over more than 356 m and at the end releases it into the public sewer at one single point at a rate of 252 l/s.



FASERFIX®SUPER

FASERFIX®KS

FASERFIX®BIG SLG

FASERFIX®BIG BL

RECYFIX®PLUS X

RECYFIX®NC

RECYFIX®MONOTEC

RECYFIX®HICAP®F

FASERFIX®POINT KS

SERVICE CHANNEL

RECYFIX HICAP F

Water drainage and retention.

Sample calculation

RECYFIX HICAP F, ductile iron mesh 13/28

The hydraulic advantages of RECYFIX HICAP channels can be demonstrated by the following calculation:

Inlet capacity of a ductile iron mesh 13/28 mm grating, determined at Prague Technical University:

4.0 l/s per metre

Frequently occurring yield from rain events:

150 l/s per hectare

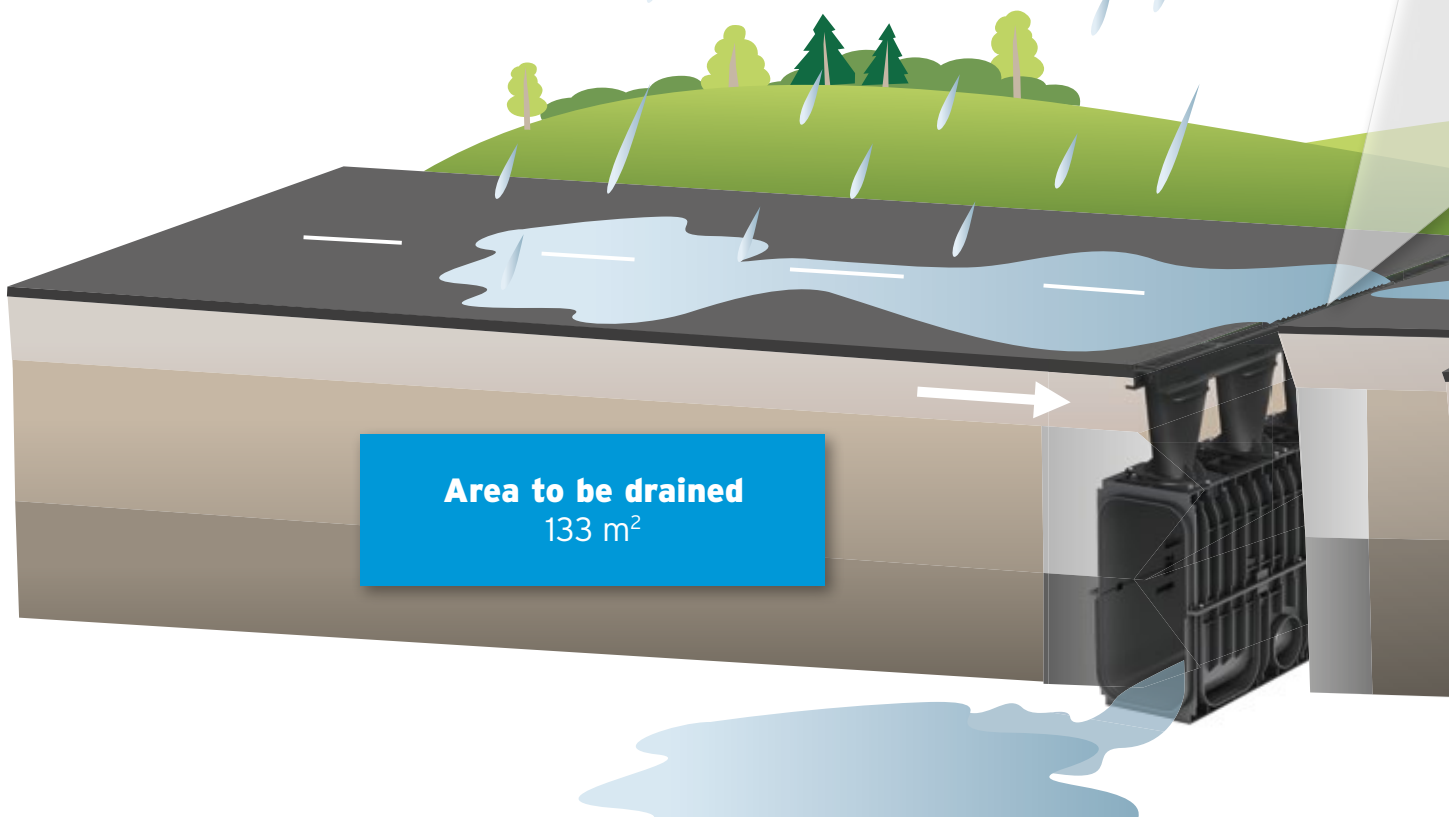
150 l/s ha = 0.015 l/s m²

$\frac{4.0 \text{ l/s m}}{0.015 \text{ l/s m}^2} = 266.67 \text{ m}^2$

Result of this example:







1 m RECYFIX HICAP channel with ductile iron mesh 13/28 mm grating can discharge the rainwater from 266.67 m² when the yield is 150 litres per second and hectare.

Rain event
150 l/s per hectare



Inlet capacity of RECYFIX HICAP F

(applies to all nominal widths)

stainless steel slot 24 mm		5.8 l/s per metre
stainless steel design grating WAVE 6 mm		2.3 l/s per metre
ductile iron slot 6 mm		3.1 l/s per metre
ductile iron mesh 13/28 mm		5.8 l/s per metre
ductile iron slot 28 mm		6.8 l/s per metre
ductile iron slot 14 mm		4.6 l/s per metre

measured during excess backwater testing at 10 mm

**Flow capacity
of mesh
13/28 mm - 4.0 l/s per metre**

**Area to be drained
133 m²**

FASERFIX®SUPER

FASERFIX®KS

FASERFIX®BIG SLG

FASERFIX®BIG BL

RECYFIX®PLUS X

RECYFIX®NC

RECYFIX®MONOTEC

RECYFIX®HICAP®F

FASERFIX®POINT KS

SERVICE CHANNEL

YOUR BENEFITS WITH RECYFIX HICAP F

FAST AND EASY INSTALLATION

- easy to handle and install without heavy lifting equipment
- innovative Link&Lock grating connection for easy and quick straight channel alignment
- integrated tongue and groove joint
- PP channel body can be cut, drilled and worked easily on site
- reduced pipe-work installations

= TIME- & COST SAVINGS



INDIVIDUAL SOLUTIONS

- accommodates radius installation
- wide range of uniform design gratings in KTL ('cathodic dip' coated) and stainless steel
- configurable as 'constant-depth' or 'stepped-fall'
- cable and pipe installations can be laid through throat voids between funnels
- ductile iron top on the surface can be interrupted while channels continue underground

= DESIGN FLEXIBILITY



VARIOUS CONNECTION POSSIBILITIES

- end cap with channel connection option
- simple possibility for preparation of corner and T-connections in connection with the trash box
- step-fall connector for connecting the next nominal width
- various pre-formed pipe-connections for added flexibility

= DESIGN FLEXIBILITY / PERFORMANCE ASSURED



HIGH RESISTANCE

- high-level resistance to fuels/oils, frost, salt and UV-rays
- withstands high temperature differences
- fit-for-purpose in climate temperatures ranging from minus - 50 °C to + 80 °C and more
- gratings in spheroidal ductile iron (KTL 'cathodic dip' coated); for high impact/corrosion resistance

= QUALITY ASSURED & LONGEVITY



LARGE RETENTION VOLUME

- drainage and retention in one component
- high capacity and back-pressure capacity due to a variety of nominal widths
- fewer chamber and pipe connections required

= PERFORMANCE ASSURED / COST SAVINGS



HIGH-GRADE MATERIAL

- top inlet made of high-quality ductile iron → much higher tensile and compressive strength than channels made of polymer/resin concrete
- high-grade **RECYFIX** channel components from very light and almost unbreakable material
- 100 % recycled PP composite body (and 100 % recyclable) for full environmental standards compliance
- smooth inner surface for superior flow characteristics
- 0 % water absorption

= QUALITY- & PERFORMANCE ASSURED



HIGH STABILITY

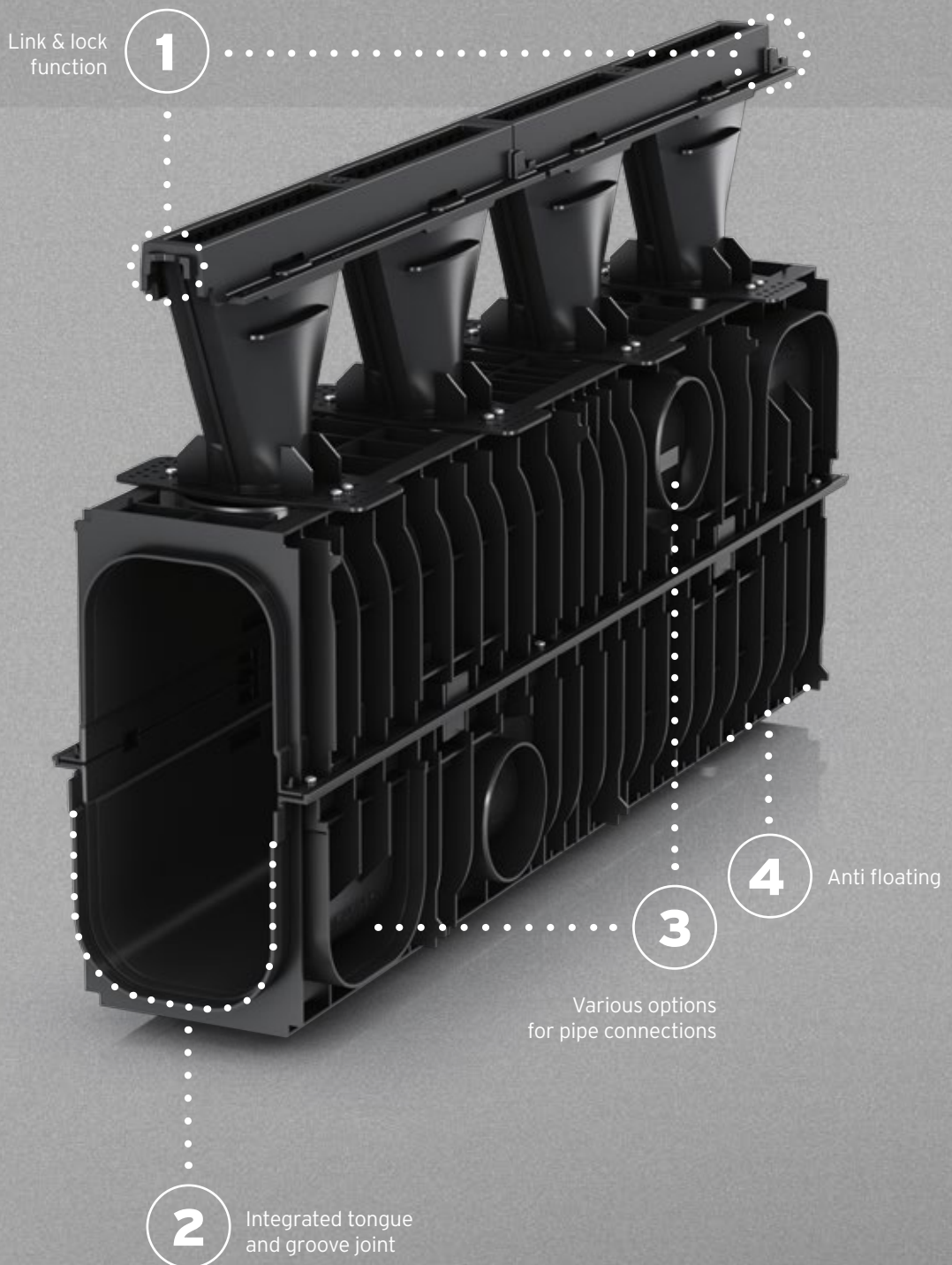
- designed for superior resistance to dynamic forces and loads up to class F 900
- torsion-free ribs and throat voids for additional structural integrity and rigidity

= PERFORMANCE ASSURED



IDEAL FOR ...

drainage and retention for the highest load areas, such as airports, industrial estates and container terminals.



RECYFIX HICAP F

High capacity drainage system for the highest load category.

RECYFIX HICAP channels meet the requirements of DIN EN 1433 and are suitable for the following load categories:



Category
A 15



Category
B 125



Category
C 250



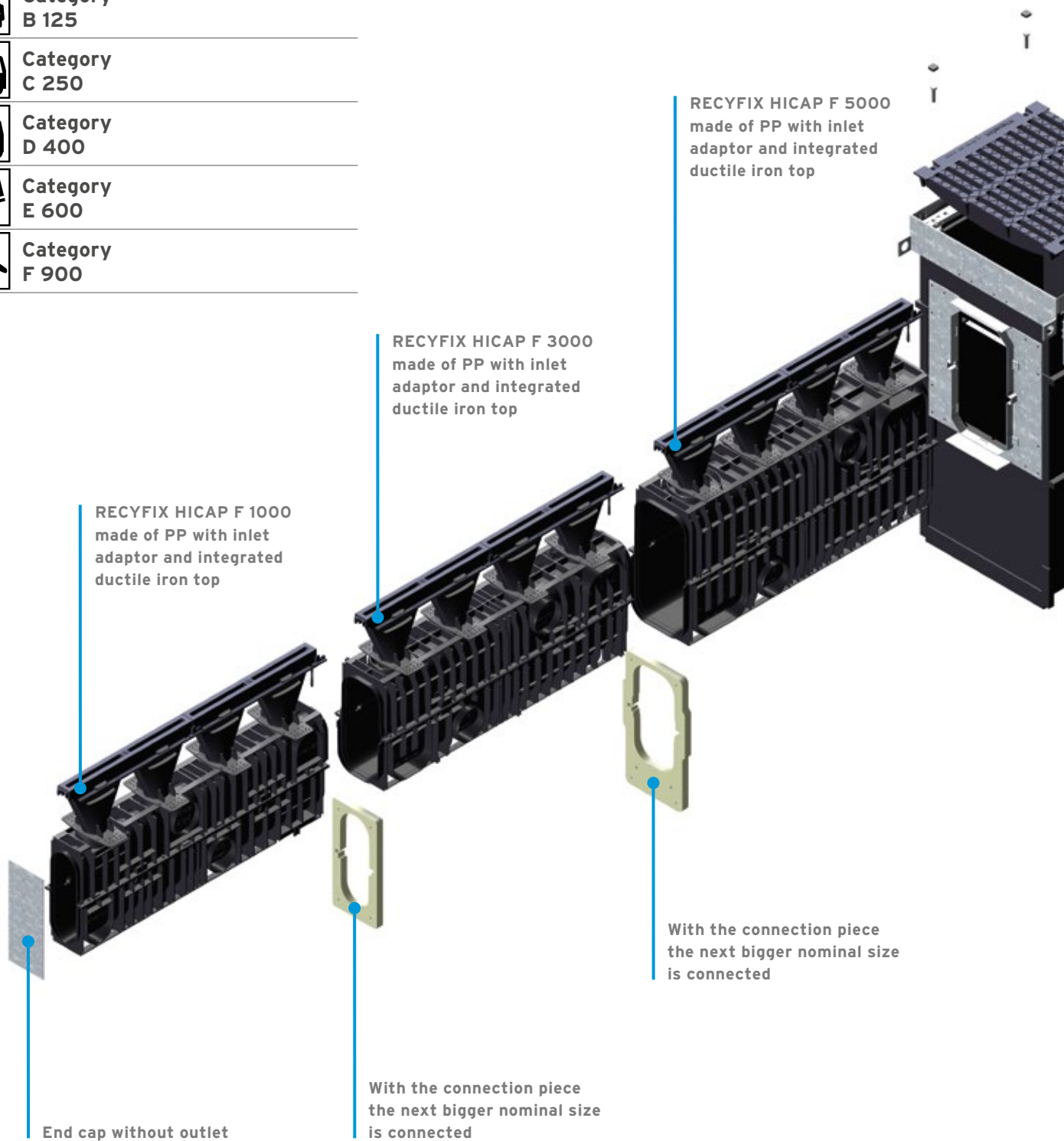
Category
D 400

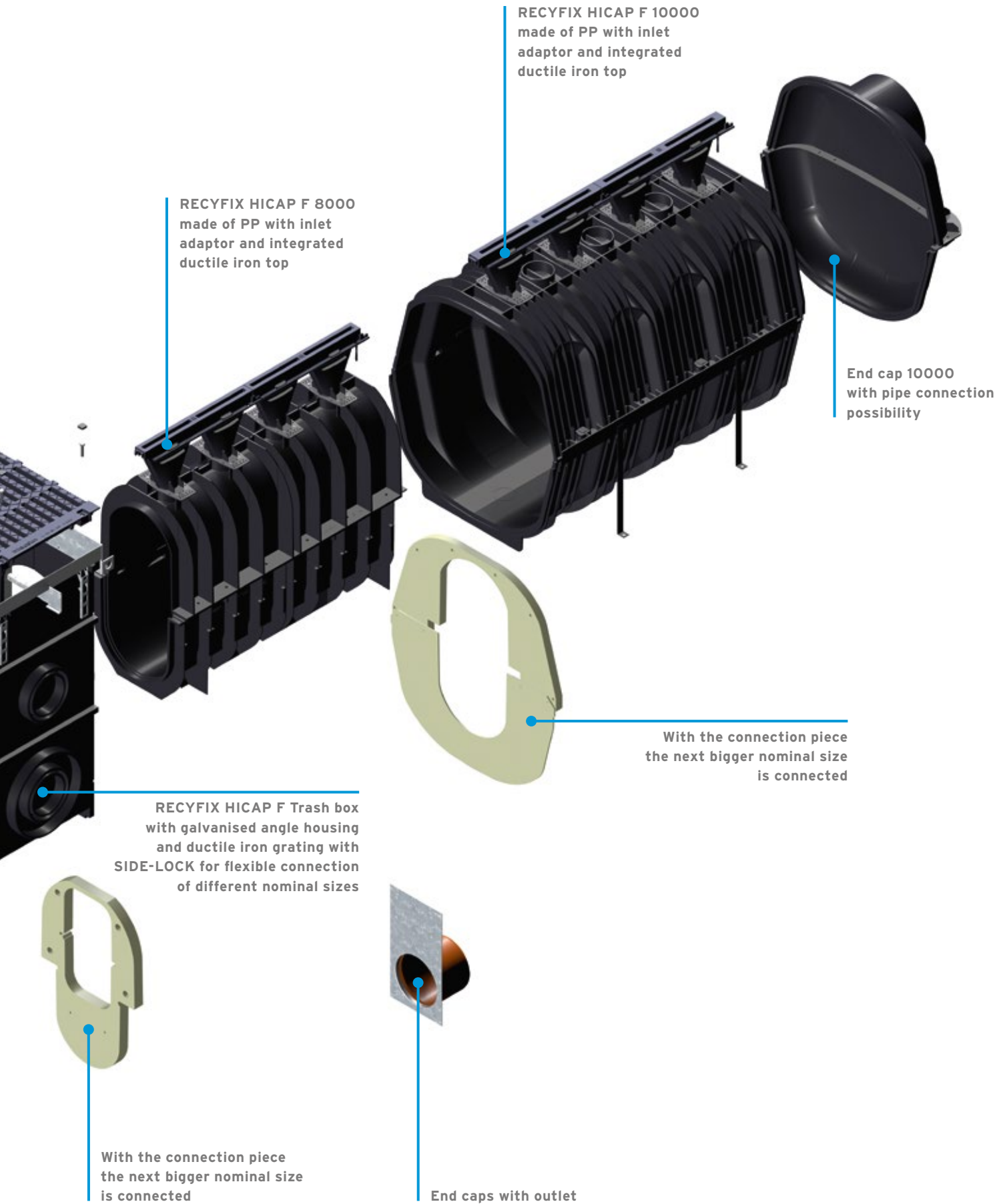


Category
E 600



Category
F 900





FASERFIX®SUPER
FASERFIX®KS
FASERFIX®BIG SLG
FASERFIX®BIG BL
RECYFIX®PLUS X
RECYFIX®NC
RECYFIX®MONOTEC
RECYFIX®HICAP®F
FASERFIX®POINT KS
SERVICE CHANNEL

RECYFIX HICAP F

**Effectively drained - modularly built.
Drainage and retention system for larger areas.**

Report from the field: RECYFIX HICAP F channels for Heathrow Airport, London

With 67 million travellers annually, Heathrow Airport in London is Europe's busiest airport. Worldwide it takes third place behind Atlanta and Chicago. This important hub in international air traffic is operated by BAA, British Airports Authority, the largest airport operator worldwide. 75 % of the British Airways fleet is based at Heathrow Airport.



At the southern section of the airport the British Airways service park was expanded. The construction site abutted right on the runway and taxiway. The demands on the new service site were immense: here airplanes of all types and sizes pass - including the Airbus A380, which was

also a main reason for the reconstruction. The aircraft tugs alone weigh 80 tons and, just as the airplanes, drive and turn on the traffic areas. The demands on the drainage systems are accordingly high.

Project progress

In 1999 BAA was supplied with FASERFIX SUPER channels for the Gatwick airport and installed in the British Airways hangars and Concorde maintenance hangars. One year later, FASERFIX SUPER KS 100 channels were delivered to London City Airport. The assigned engineering office was very satisfied with the quality and service. In 2003 BAA broached the topic of installation and handling of drainage systems. The main topic of the discussions was the extreme weight of the products and the associated high employment of machines during installation.

On multiple occasions, HAURATON contacted various departments of BAA and presented the advantages of RECYFIX products (lightweight, easy handling, meets British "Health and Safety Regulations" = One-man-lift = max. 25 kg). Drainage channels from this line were presented in various meetings and BAA decided across the board to work with HAURATON in the area of RECYFIX.



RECYFIX HICAP F - eco-friendly and 'easy to handle'

Another key criterion for BAA was recycling. Airport planning and operation are subject to stringent environmental requirements. Products made of recycled plastic are therefore especially suited.

Suppliers routinely need to present BAA with product innovations which offer cost savings in installation and maintenance. In 2006 the time came for HAURATON to present the new line RECYFIX HICAP. The feedback was very positive, with BAA immediately recognising the resulting advantage in installation and maintenance, and the installation at Heathrow was decided.

Installed items

- 380 m RECYFIX HICAP F 8000
- 100 m RECYFIX HICAP F 5000
- 100 m RECYFIX HICAP F 3000



Lightweight elements, installed by one single worker.

Other examples of RECYFIX HICAP F



FASERFIX®SUPER

FASERFIX®KS

FASERFIX®BIG SLG

FASERFIX®BIG BL

RECYFIX®PLUS X

RECYFIX®NC

RECYFIX®MONOTEC

RECYFIX®HICAP®F

FASERFIX®POINT KS

SERVICE CHANNEL

RECYFIX HICAP F

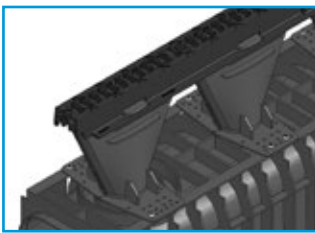
High capacity drainage system for the highest load category.

Inlet slots of RECYFIX HICAP F system

System RECYFIX HICAP F offers a wide selection of inlet slots.

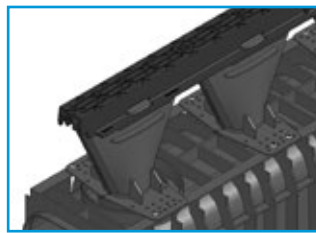
- slots are joined in an innovative way to ensure stability and facilitate the installation process
- wide range of design solutions provides designers with many customization options for planned investments.
- all standard inlet slots are protected by KTL coating which prevents oxidation of iron and ensures long term preservation of their black colour.
- galvanized iron grating is also available in silver colour.
- top-class aesthetics when using stainless steel gratings.

Ductile iron gratings



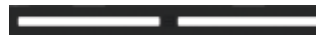
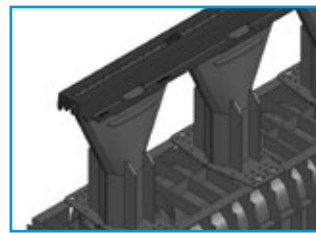
Slot 13/28 mm

- KTL coating
- slot size 13 x 28 mm
- intake cross-sect 172 cm²/m
- application: road surfaces



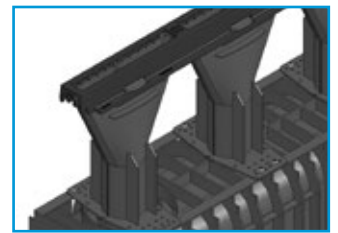
Slot 6 mm

- KTL coating
- slot size 5 x 51 mm
- intake cross-sect 154 cm²/m
- application: pedestrian traffic



Slot 14 mm

- KTL coating
- slot size 14 x 221 mm
- intake cross-sect 124 cm²/m
- application: industrial areas



Slot 28 mm

- KTL coating
- slot size 28 x 221 mm
- intake cross-sect. 248 cm²/m
- application: industrial areas

Stainless steel gratings



Slot 24 mm

- slot size 24 x 221 mm
- intake cross-sect 211 cm²/m
- application: industrial areas



Design grating WAVE 6 mm

- maximum slot width 6,5 mm
- intake cross-sect 78 cm²/m
- application: prestigious areas/pedestrian areas

Discontinuous design

Inlet elements don't have to be installed on every channel's body. The draining line is continuous under the surface, but its top part may be covered.



Customized solutions

All elements of the system can be adapted to the individual requirements and building conditions of a given project. Both the height of the channels and the preparation of special solutions can be adjusted:

- gratings design (individual pattern of stainless steel inlet slot),
- covers for trash boxes,
- or angular connections of channels.

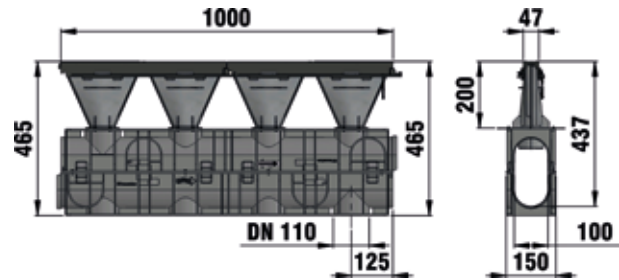


Special solution for Bałtyk Tower in Poznań.

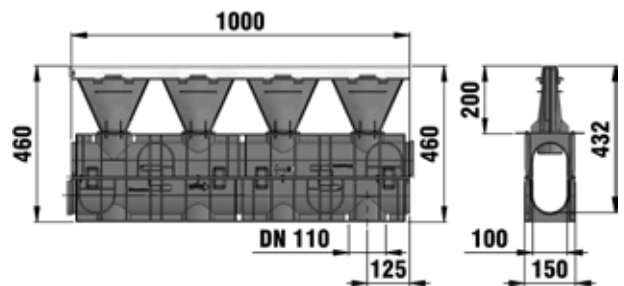
RECYFIX®HICAP®F 1000

RECYFIX®HICAP®F 1000 up to load class D 400

Type 1200, ductile iron slot 6 mm



Type 1200, stainless steel design grating WAVE 6 mm

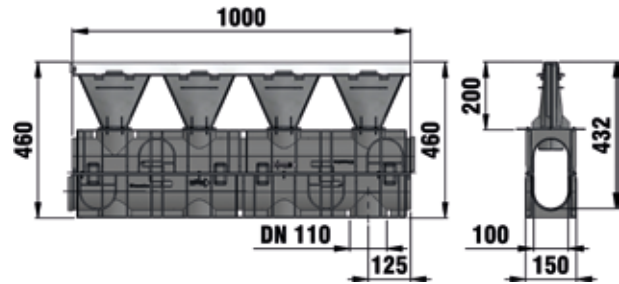


	Length mm	Width mm	Height mm	Internal channel cross-sect. cm ²	Intake cross-sect. cm ² /m	Funnel H mm	Weight kg	Item No.
Type 1200, ductile iron slot 6 mm	1000	150	465	184	129	200	10,75	13000
Type 1200, stainless steel design grating WAVE 6 mm	1000	150	460	184	44	200	-	13026

RECYFIX®HICAP®F 1000

RECYFIX®HICAP®F 1000 up to load class E 600

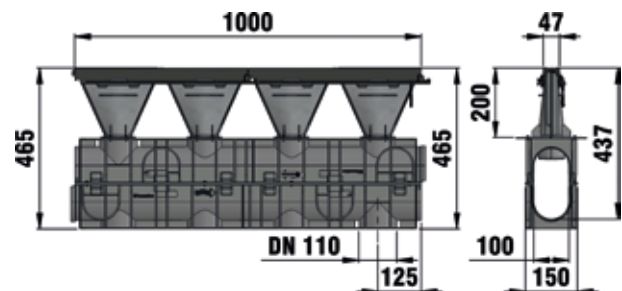
Type 1200, stainless steel slot 24 mm



	Length mm	Width mm	Height mm	Internal channel cross-sect. cm ²	Intake cross-sect. cm ² /m	Funnel H mm	Weight kg	Item No.
Type 1200, stainless steel slot 24 mm	1000	150	460	211	211	200	-	13029

RECYFIX®HICAP®F 1000 up to load class F 900

Type 1200, ductile iron slot 28 mm



	Length mm	Width mm	Height mm	Internal channel cross-sect. cm ²	Intake cross-sect. cm ² /m	Funnel H mm	Weight kg	Item No.
Type 1200, ductile iron mesh 13/28 mm	1000	150	465	184	172	200	10,75	13025
Type 1200, ductile iron slot 28 mm	1000	150	465	184	248	200	9,91	13035
Type 1200, ductile iron slot 14 mm	1000	150	465	184	124	200	10,75	13023

FASERFIX®SUPER

FASERFIX®KS

FASERFIX®BIG SLG

FASERFIX®BIG BL

RECYFIX®PLUS X

RECYFIX®NC

RECYFIX®MONOTEC

RECYFIX®HICAP®F

FASERFIX®POINT KS

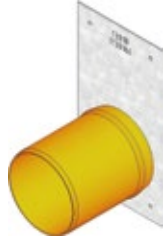
SERVICE CHANNEL

RECYFIX®HICAP®F 1000

RECYFIX®HICAP®F 1000, Accessories



End cap closed, galvanised,
type 1000

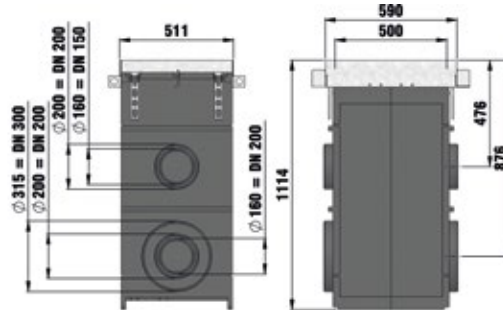


End cap with PVC-U pipe outlet
DN/OD 110, galvanised, type
1000

	Length mm	Width mm	Height mm	Weight kg	Item No.
End cap closed, galvanised, type 1000	-	140	250	1,20	13013
End cap with PVC-U pipe outlet DN/OD 110, galvanised, type 1000	-	140	250	1,20	13018

RECYFIX®HICAP®F 1000

RECYFIX®HICAP®F Trash boxes



Trash box complete with ductile iron grating SW 3 x 140/20 mm, class E 600

	Length mm	Width mm	Height mm	Weight kg	Item No.
Trash box complete with ductile iron grating SW 3 x 140/20 mm, class E 600	510	590	1114	101,00	16500
Trash box complete with solid ductile iron cover, class E 600	510	590	1114	103,50	16505
Trash box connector incl. assembling, RECYFIX HICAP 1000	-	-	-	2,73	881
Trash box connector incl. assembling, RECYFIX HICAP 2000	-	-	-	4,10	882
Trash box connector incl. assembling, RECYFIX HICAP 3000	-	-	-	3,90	884
Trash box connector incl. assembling, RECYFIX HICAP 5000	-	-	-	3,80	886
Trash box connector incl. assembling, RECYFIX HICAP 8000	-	-	-	4,70	888

FASERFIX®SUPER

FASERFIX®KS

FASERFIX®BIG SLG

FASERFIX®BIG BL

RECYFIX®PLUS X

RECYFIX®NC

RECYFIX®MONOTEC

RECYFIX®HICAP®F

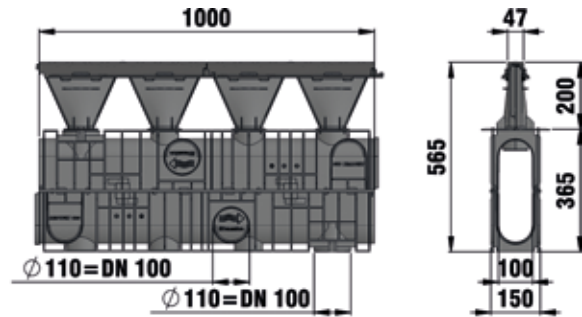
FASERFIX®POINT KS

SERVICE CHANNEL

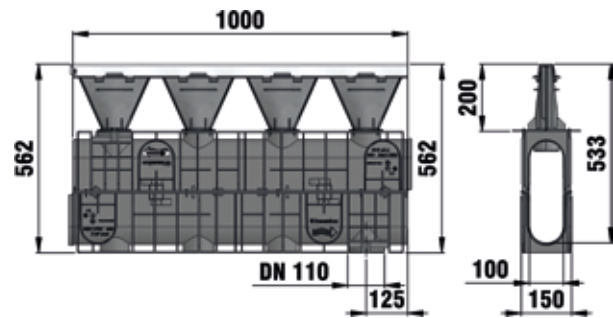
RECYFIX®HICAP®F 2000

RECYFIX®HICAP®F 2000 up to load class D 400

Type 2200, ductile
iron slot 6 mm



Type 2200, stainless
steel design grating
WAVE 6 mm

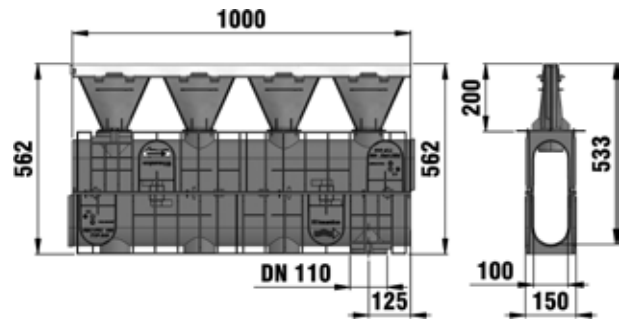


	Length mm	Width mm	Height mm	Internal channel cross-sect. cm ²	Intake cross-sect. cm ² /m	Funnel H mm	Weight kg	Item No.
Type 2200, ductile iron slot 6 mm	1000	150	565	284	129	200	13,20	13010
Type 2200, stainless steel design grating WAVE 6 mm	1000	150	562	284	44	200	-	13022

RECYFIX®HICAP®F 2000

RECYFIX®HICAP®F 2000 up to load class E 600

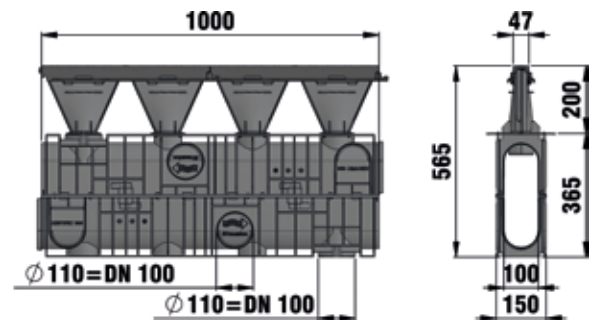
Type 2200, stainless steel slot 24 mm



	Length mm	Width mm	Height mm	Internal channel cross-sect. cm ²	Intake cross-sect. cm ² /m	Funnel H mm	Weight kg	Item No.
Type 2200, stainless steel slot 24 mm	1000	150	562	284	211	200	-	13024

RECYFIX®HICAP®F 2000 up to load class F 900

Type 2200, ductile iron slot 28 mm



	Length mm	Width mm	Height mm	Internal channel cross-sect. cm ²	Intake cross-sect. cm ² /m	Funnel H mm	Weight kg	Item No.
Type 2200, ductile iron mesh 13/28 mm	1000	150	565	284	172	200	13,10	13020
Type 2200, ductile iron slot 28 mm	1000	150	565	284	248	200	11,14	13030
Type 2200, ductile iron slot 14 mm	1000	150	565	284	124	200	11,51	13028

FASERFIX®SUPER

FASERFIX®KS

FASERFIX®BIG SLG

FASERFIX®BIG BL

RECYFIX®PLUS X

RECYFIX®NC

RECYFIX®MONOTEC

RECYFIX®HICAP®F

FASERFIX®POINT KS

SERVICE CHANNEL

RECYFIX®HICAP®F 2000

RECYFIX®HICAP®F 2000, Accessories



End cap closed, galvanised,
type 2000



End cap with PVC-U pipe outlet
DN/OD 110, galvanised,
type 2000

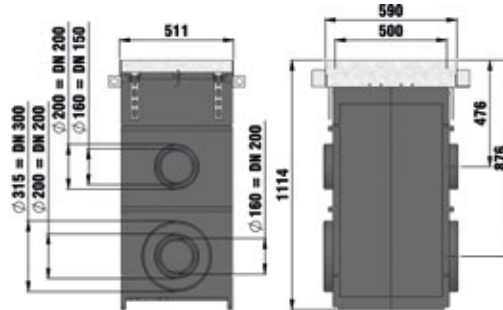


Step-fall ramp, stainless steel,
from RECYFIX HICAP 2000 to
RECYFIX HICAP 1000

	Length mm	Width mm	Height mm	Weight kg	Item No.
End cap closed, galvanised, type 2000	-	140	350	1,80	13012
End cap with PVC-U pipe outlet DN/OD 110, galvanised, type 2000	-	140	350	2,00	13015
Step-fall connector from RECYFIX HICAP 2000 to RECYFIX HICAP 1000	-	179	362	1,00	13019
Step-fall ramp, stainless steel, from RECYFIX HICAP 2000 to RECYFIX HICAP 1000	99	97	95	0,25	13195

RECYFIX®HICAP®F 2000

RECYFIX®HICAP®F Trash boxes



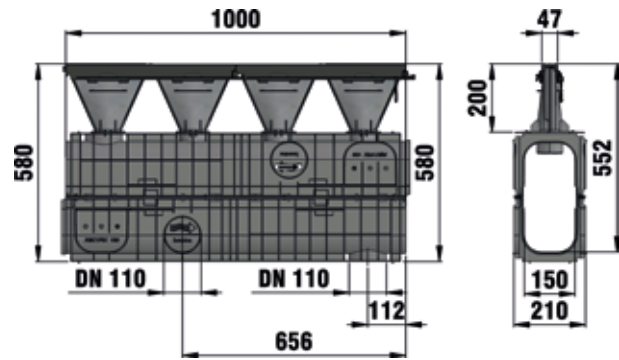
Trash box complete with ductile iron grating SW 3 x 140/20 mm, class E 600

	Length mm	Width mm	Height mm	Weight kg	Item No.
Trash box complete with ductile iron grating SW 3 x 140/20 mm, class E 600	511	590	1114	101,00	16500
Trash box complete with solid ductile iron cover, class E 600	511	590	1114	103,50	16505
Trash box connector incl. assembling, RECYFIX HICAP 1000	-	-	-	2,73	881
Trash box connector incl. assembling, RECYFIX HICAP 2000	-	-	-	4,10	882
Trash box connector incl. assembling, RECYFIX HICAP 3000	-	-	-	3,90	884
Trash box connector incl. assembling, RECYFIX HICAP 5000	-	-	-	3,80	886
Trash box connector incl. assembling, RECYFIX HICAP 8000	-	-	-	4,70	888

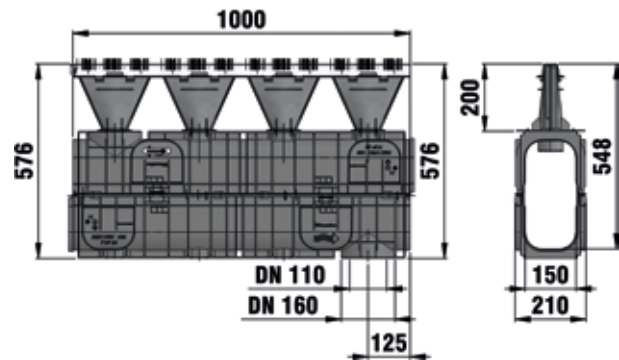
RECYFIX®HICAP®F 3000

RECYFIX®HICAP®F 3000 up to load class D 400

Type 3200, ductile
iron slot 6 mm



Type 3200, stainless
steel design grating
WAVE 6 mm

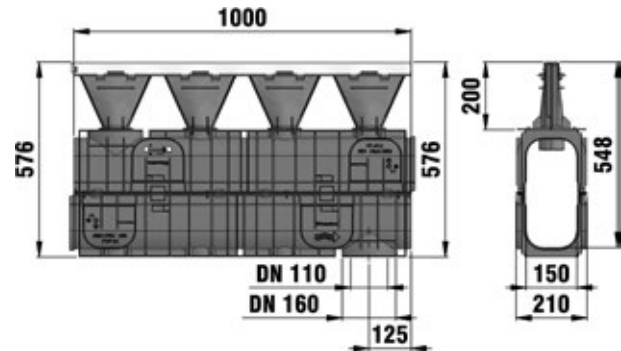


	Length mm	Width mm	Height mm	Internal channel cross-sect. cm ²	Intake cross-sect. cm ² /m	Funnel H mm	Weight kg	Item No.
Type 3200, ductile iron slot 6 mm	1000	210	580	460	129	200	12,50	13210
Type 3200, stainless steel design grating WAVE 6 mm	1000	210	576	460	44	200	-	13222

RECYFIX®HICAP®F 3000

RECYFIX®HICAP®F 3000 up to load class E 600

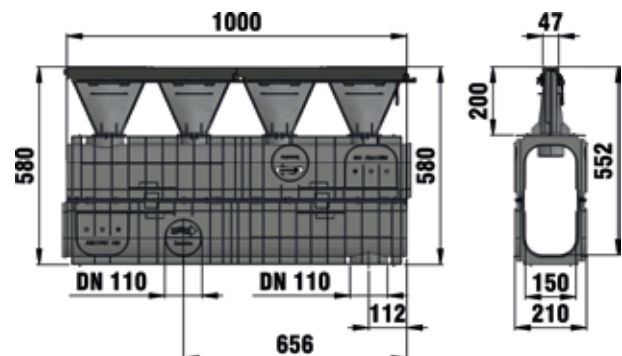
Type 3200, stainless steel slot 24 mm



	Length mm	Width mm	Height mm	Internal channel cross-sect. cm ²	Intake cross-sect. cm ² /m	Funnel H mm	Weight kg	Item No.
Type 3200, stainless steel slot 24 mm	1000	210	576	460	211	200	-	13224

RECYFIX®HICAP®F 3000 up to load class F 900

Type 3200, ductile iron mesh 13/28 mm



	Length mm	Width mm	Height mm	Internal channel cross-sect. cm ²	Intake cross-sect. cm ² /m	Funnel H mm	Weight kg	Item No.
Type 3200, ductile iron mesh 13/28 mm	1000	210	580	460	172	200	12,40	13220
Type 3200, ductile iron slot 28 mm	1000	210	580	460	248	200	11,29	13230
Type 3200, ductile iron slot 14 mm	1000	210	580	460	124	200	12,00	13225

RECYFIX®HICAP®F 3000

RECYFIX®HICAP®F 3000, Accessories



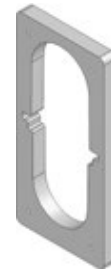
End cap closed, galvanised, type 3000



End cap with PVC-U pipe outlet DN/OD 160, galvanised, type 3000



End cap with PVC-U pipe outlet DN/OD 110, galvanised, type 2000

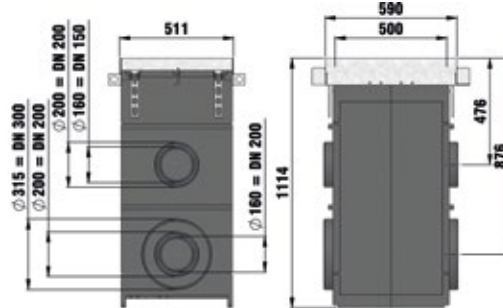


Step-fall connector from RECYFIX HICAP 3000 to RECYFIX HICAP 2000

	Length mm	Width mm	Height mm	Weight kg	Item No.
End cap closed, galvanised, type 3000	-	190	370	2,00	13212
End cap with PVC-U pipe outlet DN/OD 160, galvanised, type 3000	-	190	370	2,40	13215
End cap with PVC-U pipe outlet DN/OD 110, galvanised, type 2000	-	140	350	2,00	13015
Step-fall connector from RECYFIX HICAP 3000 to RECYFIX HICAP 2000	-	179	376	2,00	13017

RECYFIX®HICAP®F 3000

RECYFIX®HICAP®F Trash boxes



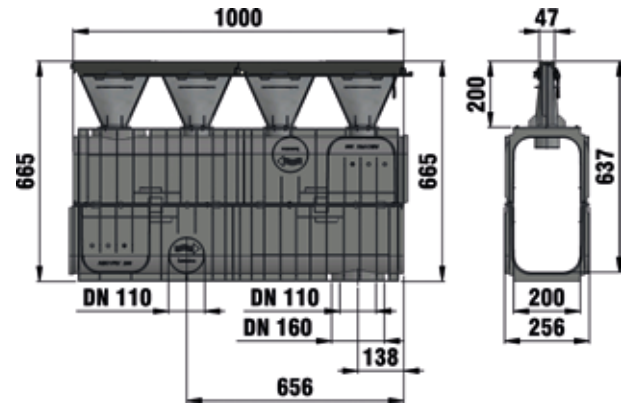
Trash box complete with ductile iron grating SW 3 x 140/20 mm, class E 600

	Length mm	Width mm	Height mm	Weight kg	Item No.
Trash box complete with ductile iron grating SW 3 x 140/20 mm, class E 600	511	590	1114	101,00	16500
Trash box complete with solid ductile iron cover, class E 600	511	590	1114	103,50	16505
Trash box connector incl. assembling, RECYFIX HICAP 1000	-	-	-	2,73	881
Trash box connector incl. assembling, RECYFIX HICAP 2000	-	-	-	4,10	882
Trash box connector incl. assembling, RECYFIX HICAP 3000	-	-	-	3,90	884
Trash box connector incl. assembling, RECYFIX HICAP 5000	-	-	-	3,80	886
Trash box connector incl. assembling, RECYFIX HICAP 8000	-	-	-	4,70	888

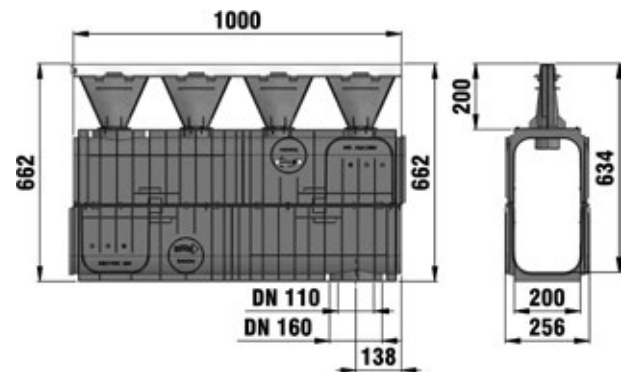
RECYFIX®HICAP®F 5000

RECYFIX®HICAP®F 5000 up to load class D 400

Type 5200, ductile
iron slot 6 mm



Type 5200, stainless
steel design grating
WAVE 6 mm

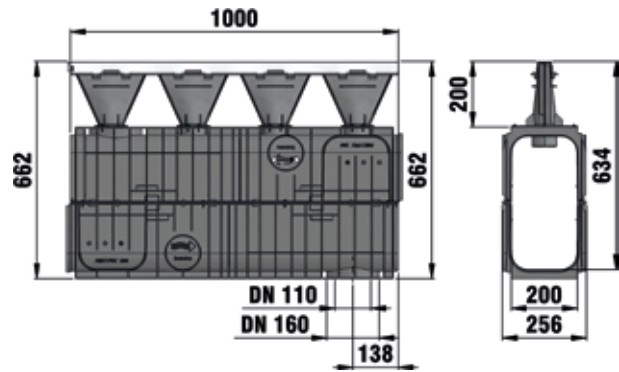


	Length mm	Width mm	Height mm	Internal channel cross-sect. cm ²	Intake cross-sect. cm ² /m	Funnel H mm	Weight kg	Item No.
Type 5200, ductile iron slot 6 mm	1000	256	665	790	129	200	14,00	13410
Type 5200, stainless steel design grating WAVE 6 mm	1000	256	662	790	44	200	-	13422

RECYFIX®HICAP®F 5000

RECYFIX®HICAP®F 5000 up to load class E 600

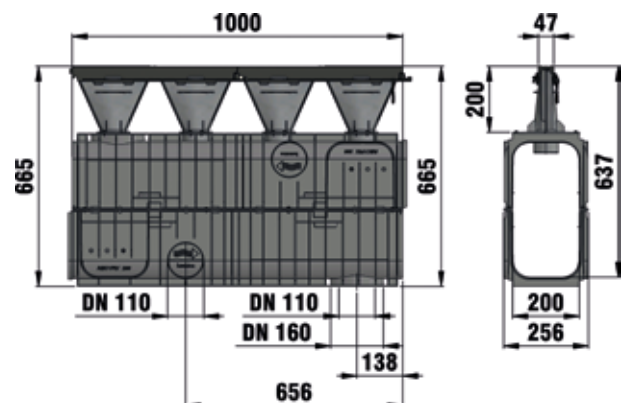
Type 5200, stainless steel slot 24 mm



	Length mm	Width mm	Height mm	Internal channel cross-sect. cm ²	Intake cross-sect. cm ² /m	Funnel H mm	Weight kg	Item No.
Type 5200, stainless steel slot 24 mm	1000	256	662	211	790	200	-	13424

RECYFIX®HICAP®F 5000 up to load class F 900

Type 5200, ductile iron mesh 13/28 mm



	Length mm	Width mm	Height mm	Internal channel cross-sect. cm ²	Intake cross-sect. cm ² /m	Funnel H mm	Weight kg	Item No.
Type 5200, ductile iron mesh 13/28 mm	1000	256	665	790	172	200	13,90	13420
Type 5200, ductile iron slot 28 mm	1000	256	665	790	248	200	12,61	13430
Type 5200, ductile iron slot 14 mm	1000	256	665	790	124	200	13,50	13425

RECYFIX®HICAP®F 5000

RECYFIX®HICAP®F 5000, Accessories



End cap closed, galvanised,
type 5000



End cap with PVC-U pipe outlet
DN/OD 200, galvanised,
type 5000

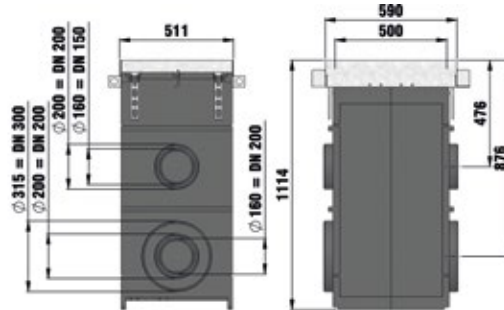


Step-fall connector from
RECYFIX HICAP 5000 to
RECYFIX HICAP 3000

	Length mm	Width mm	Height mm	Weight kg	Item No.
End cap closed, galvanised, type 5000	-	240	450	2,00	13412
End cap with PVC-U pipe outlet DN/OD 200, galvanised, type 5000	-	240	450	2,10	13415
Step-fall connector from RECYFIX HICAP 5000 to RECYFIX HICAP 3000	-	250	462	2,20	13217
Step-fall ramp, stainless steel, from RECYFIX HICAP 5000 to RECYFIX HICAP 3000	84	197	80	0,48	13295

RECYFIX®HICAP®F 5000

RECYFIX®HICAP®F Trash boxes



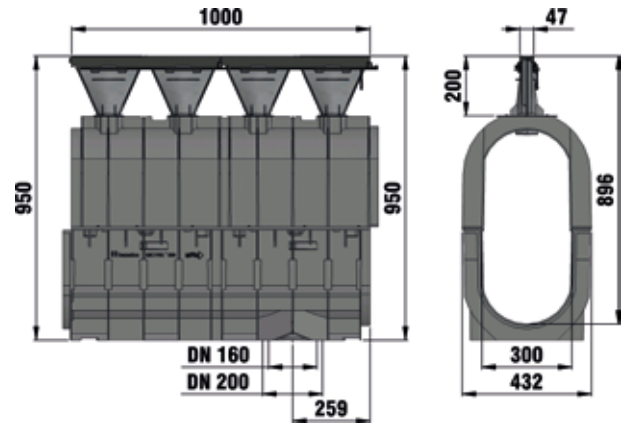
Trash box complete with ductile iron grating SW 3 x 140/20 mm, class E 600

	Length mm	Width mm	Height mm	Weight kg	Item No.
Trash box complete with ductile iron grating SW 3 x 140/20 mm, class E 600	511	590	1114	101,00	16500
Trash box complete with solid ductile iron cover, class E 600	511	590	1114	103,50	16505
Trash box connector incl. assembling, RECYFIX HICAP 1000	-	-	-	2,73	881
Trash box connector incl. assembling, RECYFIX HICAP 2000	-	-	-	4,10	882
Trash box connector incl. assembling, RECYFIX HICAP 3000	-	-	-	3,90	884
Trash box connector incl. assembling, RECYFIX HICAP 5000	-	-	-	3,80	886
Trash box connector incl. assembling, RECYFIX HICAP 8000	-	-	-	4,70	888

RECYFIX®HICAP®F 8000

RECYFIX®HICAP®F 8000 up to load class E 600

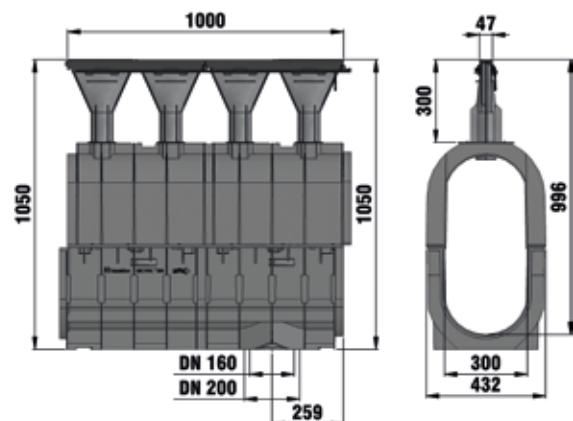
Type 8200, ductile iron mesh 13/28 mm



	Length mm	Width mm	Height mm	Internal channel cross-sect. cm ²	Intake cross-sect. cm ² /m	Funnel H mm	Weight kg	Item No.
Type 8200, ductile iron mesh 13/28 mm	1000	432	950	1714	172	200	23,90	13620
Type 8200, ductile iron slot 28 mm	1000	432	950	1714	248	200	21,60	13630
Type 8200, ductile iron slot 14 mm	1000	432	950	1714	124	200	23,50	13625
Type 8200, stainless steel slot 24 mm	1000	432	948	1714	211	200	-	13624

RECYFIX®HICAP®F 8000 up to load class F 900

Type 8300, ductile iron mesh 13/28 mm



	Length mm	Width mm	Height mm	Internal channel cross-sect. cm ²	Intake cross-sect. cm ² /m	Funnel H mm	Weight kg	Item No.
Type 8300, ductile iron mesh 13/28 mm	1000	432	1050	1714	172	300	24,10	13670
Type 8300, ductile iron slot 28 mm	1000	432	1050	1714	248	300	22,20	13680
Type 8300, ductile iron slot 14 mm	1000	432	1050	1714	124	300	23,80	13675

RECYFIX®HICAP®F 8000

RECYFIX®HICAP®F 8000, Accessories



End cap closed, galvanised,
type 8000



End cap with PVC-U pipe outlet
DN/OD 200, galvanised,
type 8000

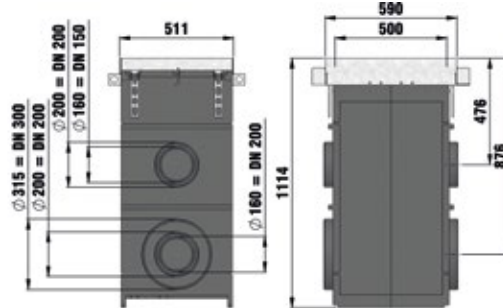


Step-fall connector from
RECYFIX HICAP 8000 to
RECYFIX HICAP 5000

	Length mm	Width mm	Height mm	Weight kg	Item No.
End cap closed, galvanised, type 8000	-	420	720	3,00	13612
End cap with PVC-U pipe outlet DN/OD 200, galvanised, type 8000	-	420	734	5,60	13615
Step-fall connector from RECYFIX HICAP 8000 to RECYFIX HICAP 5000	-	432	693	2,00	13417
Step-fall ramp, stainless steel, from RECYFIX HICAP 8000 to RECYFIX HICAP 5000	258	291	254	1,90	13695

RECYFIX®HICAP®F 8000

RECYFIX®HICAP®F Trash boxes



Trash box complete with ductile iron grating SW 3 x 140/20 mm, class E 600

	Length mm	Width mm	Height mm	Weight kg	Item No.
Trash box complete with ductile iron grating SW 3 x 140/20 mm, class E 600	511	590	1114	101,00	16500
Trash box complete with solid ductile iron cover, class E 600	511	590	1114	103,50	16505
Trash box connector incl. assembling, RECYFIX HICAP 1000	-	-	-	2,70	881
Trash box connector incl. assembling, RECYFIX HICAP 2000	-	-	-	4,10	882
Trash box connector incl. assembling, RECYFIX HICAP 3000	-	-	-	3,90	884
Trash box connector incl. assembling, RECYFIX HICAP 5000	-	-	-	3,80	886
Trash box connector incl. assembling, RECYFIX HICAP 8000	-	-	-	4,70	888

FASERFIX®SUPER

FASERFIX®KS

FASERFIX®BIG SLG

FASERFIX®BIG BL

RECYFIX®PLUS X

RECYFIX®NC

RECYFIX®MONOTEC

RECYFIX®HICAP®F

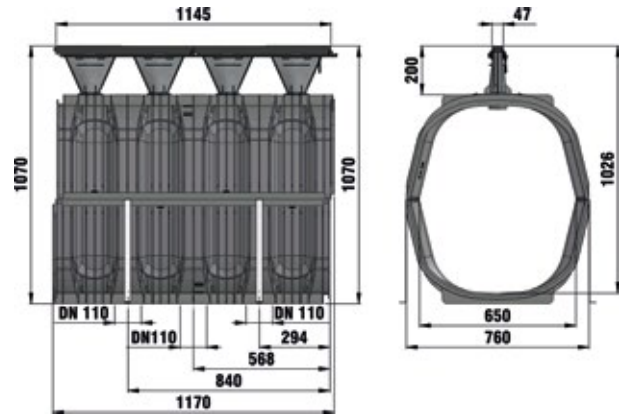
FASERFIX®POINT KS

SERVICE CHANNEL

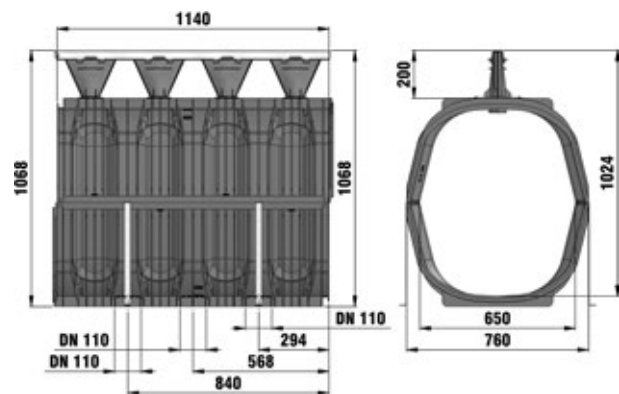
RECYFIX®HICAP®F 10000

RECYFIX®HICAP®F 10000 up to load class D 400

Type 10200, ductile iron slot 6 mm



Type 10200, stainless steel design grating WAVE 6 mm

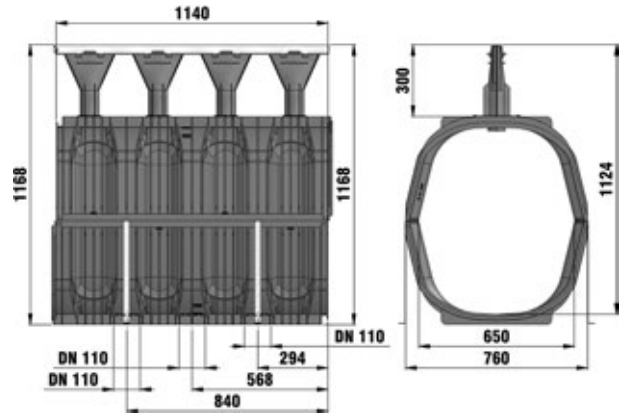


	Length mm	Width mm	Height mm	Internal channel cross-sect. cm ²	Intake cross-sect. cm ² /m	Funnel H mm	Weight kg	Item No.
Type 10200, ductile iron slot 6 mm	1145	760	1070	4430	129	200	31,90	13810
Type 10200, stainless steel design grating WAVE 6 mm	1140	760	1068	4430	44	200	-	13822

RECYFIX®HICAP®F 10000

RECYFIX®HICAP®F 10000 up to load class E 600

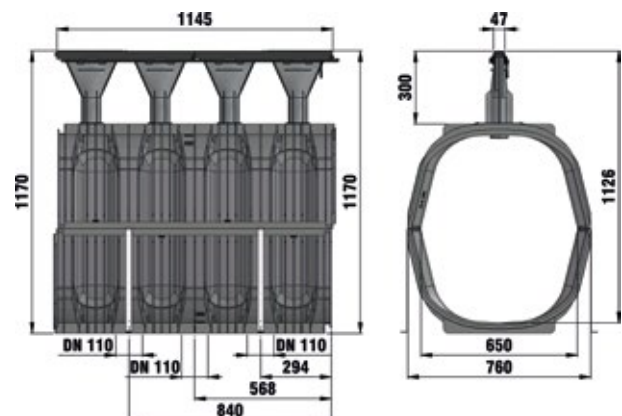
Type 10300, stainless steel slot 24 mm



	Length mm	Width mm	Height mm	Internal channel cross-sect. cm ²	Intake cross-sect. cm ² /m	Funnel H mm	Weight kg	Item No.
Type 10300, stainless steel slot 24 mm	1140	760	1168	4430	211	300	-	13874

RECYFIX®HICAP®F 10000 up to load class F 900

Type 10300, ductile iron slot 14 mm



	Length mm	Width mm	Height mm	Internal channel cross-sect. cm ²	Intake cross-sect. cm ² /m	Funnel H mm	Weight kg	Item No.
Type 10300, ductile iron mesh 13/28 mm	1145	760	1170	4430	172	300	31,20	13870
Type 10300, ductile iron slot 28 mm	1145	760	1170	4430	248	300	31,20	13880
Type 10300, ductile iron slot 14 mm	1145	760	1170	4430	-	300	32,20	13885

RECYFIX®HICAP®F 10000

RECYFIX®HICAP®F 10000, Accessories



Step-fall connector from RECYFIX HICAP 10000 to RECYFIX HICAP 8000

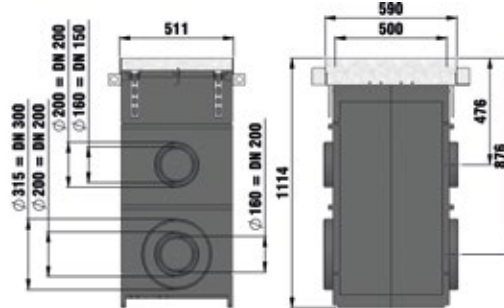


Step-fall ramp, stainless steel, from RECYFIX HICAP 10000 to RECYFIX HICAP 8000

	Length mm	Width mm	Height mm	Weight kg	Item No.
end cap, black, incl. assembly set	-	803	822	4,40	96002
Step-fall connector from RECYFIX HICAP 10000 to RECYFIX HICAP 8000	-	760	845	5,00	13617
Step-fall ramp, stainless steel, from RECYFIX HICAP 10000 to RECYFIX HICAP 8000	280	686	255	4,30	13895

RECYFIX®HICAP®F 10000

RECYFIX®HICAP®F Trash boxes



Trash box complete with ductile iron grating SW 3 x 140/20 mm, class E 600

	Length mm	Width mm	Height mm	Weight kg	Item No.
Trash box complete with ductile iron grating SW 3 x 140/20 mm, class E 600	511	590	1114	101,00	16500
Trash box complete with solid ductile iron cover, class E 600	511	590	1114	103,50	16505
Trash box connector incl. assembling, RECYFIX HICAP 1000	-	-	-	2,70	881
Trash box connector incl. assembling, RECYFIX HICAP 2000	-	-	-	4,10	882
Trash box connector incl. assembling, RECYFIX HICAP 3000	-	-	-	3,90	884
Trash box connector incl. assembling, RECYFIX HICAP 5000	-	-	-	3,80	886
Trash box connector incl. assembling, RECYFIX HICAP 8000	-	-	-	4,70	888

FASERFIX POINT KS

Durable point drainage for public and commercial areas.



**Kaufland Car Park,
Sofia, Bulgaria**



FASERFIX POINT KS

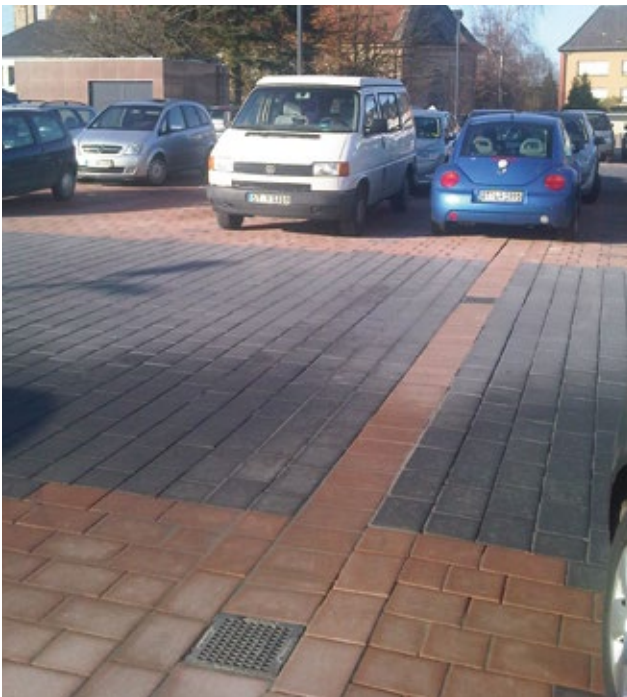
Durable point drainage for public and commercial areas.

1 Requirements

- draining away surface water at a specific point for reasons of building layout and topography.
- the system to be used must be able to permanently withstand the expected traffic.
- point drainage should be integrated harmoniously into the surrounding surface finish.

2 Application areas

- yards
- squares and parking areas in commercial and private areas



3 Solution

FASERFIX POINT KS trash boxes

- are made of fibre-reinforced concrete
- are tested according to DIN EN 124
- are protected by a galvanised steel angle housing all round.
- gratings are securely locked to the base box using the SIDE-LOCK boltless locking system
- are equipped with a sludge trap in galvanised steel or PP.

4 Additional applications

- point inlet: can be installed with different construction heights
- trash box: can also be used as trash boxes in linear drainage runs of various channel types
- sludge trap: where the trapping of solids is a requirement, it is also possible to install the FASERFIX POINT KS trash box as a sludge trap. In that case, the outlet openings in the lower part will be closed off and an additional outlet opening will be inserted in the middle of the upper part.
- pump sump: the FASERFIX SUPER gully and the FASERFIX POINT KS point inlet type 40/40 be suitable as pump sump

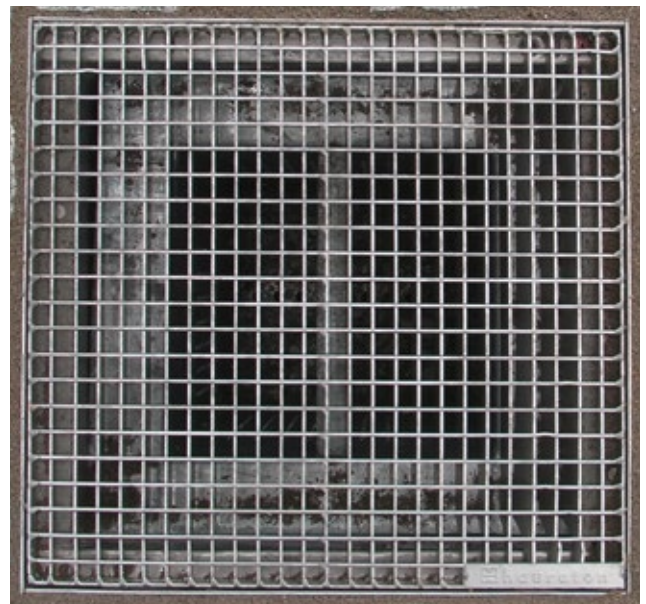
FASERFIX POINT KS at Wiener Platz, Dresden

The Wiener Platz is the central traffic hub in Dresden. The different transport modes, such as railway, cars, buses, tramway, bicycles and wheelchairs are interlinked on different levels. For a visually appealing streetscape design of surfaces and facades, the FASERFIX POINT KS yard gullies and FASERFIX SUPER channels were fitted with customfabricated stainless steel gratings.



The special request from the client and architects:

- safety for pedestrians, cyclists and wheelchair users: narrow mesh size of the grating
- cost savings: no ingress of rough dirt items into the draining system
- harmonious overall design of channels and point inlets



FASERFIX®SUPER

FASERFIX®KS

FASERFIX®BIG SLG

FASERFIX®BIG BL

RECYFIX®PLUS X

RECYFIX®NC

RECYFIX®MONOTEC

RECYFIX®HICAP®F

FASERFIX®POINT KS

SERVICE CHANNEL

YOUR BENEFITS WITH **FASERFIX POINT KS**

HIGH-GRADE MATERIAL

- „Made in Germany“
- optimal stability through fibre-reinforced concrete (polypropylene fibres) with low weight
- adheres well to the foundation concrete (same coefficient of thermal expansion)
- installation without grating possible
- fire resistance class A1 (non-combustible) according to DIN 4102

= **QUALITY ASSURED / PERFORMANCE ASSURED**



HEAVY-DUTY FRAME & SIDE-LOCK

- 20 mm x 20 mm Zarge frame and inlaying grating
- extremely durable connection between steel frame and concrete body
- 90 % time savings when fastened with boltless locking system **SIDE-LOCK** (compared to conventional fastening)
- insertion or replacement of the grating is possible without special tools, a screwdriver is sufficient

= **QUALITY ASSURED / COST SAVINGS**



IDEAL FOR ...

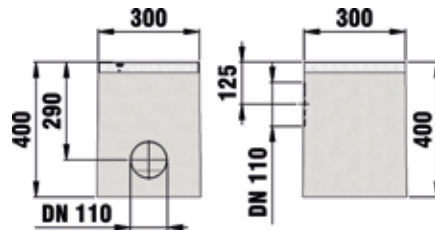
drainage of surface water at one point, such as in parking areas, yards and squares in commercial and private areas.



FASERFIX®POINT KS 30/30

FASERFIX®POINT KS 30/30, Point drainage, class D 400, complete with PVC-U socket and sealing DN/OD 110, foul air trap and PE mud bucket

with longitudinal ductile iron grating SW 8 mm, KTL-coated



with longitudinal ductile iron grating SW 8 mm, galvanised



	Length mm	Width mm	Height mm	Weight kg	Item No.
with longitudinal ductile iron grating SW 8 mm, KTL-coated	300	300	400	49,50	4402
with longitudinal ductile iron grating SW 8 mm, galvanised	300	300	400	49,60	4422

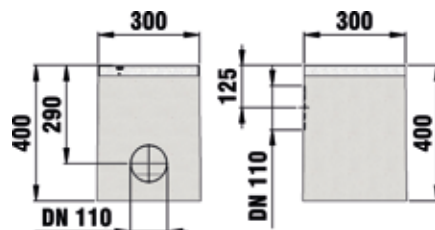
Point drainage tested according to EN 1433.

For FASERFIX POINT the same installation advices as for FASERFIX SUPER Channels are analogously valid.

The gratings are locked with boltless-locking system SIDE-LOCK.

FASERFIX®POINT KS 30/30, Point drainage, class E 600, complete with PVC-U socket and sealing DN/OD 110, foul air trap and PE mud bucket

with GUGI-Ductile iron mesh grating MW 15/25 mm, black



	Length mm	Width mm	Height mm	Weight kg	Item No.
with GUGI-Ductile iron mesh grating MW 15/25 mm, black	300	300	400	52,40	4400
with GUGI-Ductile iron mesh grating MW 15/25 mm, black, KTL-coated	300	300	400	52,00	4401
with GUGI-Ductile iron mesh grating MW 15/25 mm, galvanised	300	300	400	52,40	4420

Point drainage tested according to EN 1433.

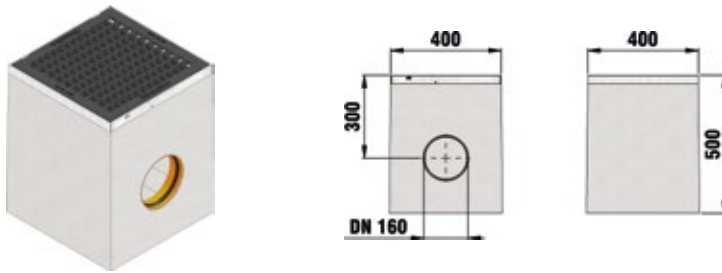
For FASERFIX POINT the same installation advices as for FASERFIX SUPER Channels are analogously valid.

The gratings are locked with boltless-locking system SIDE-LOCK.

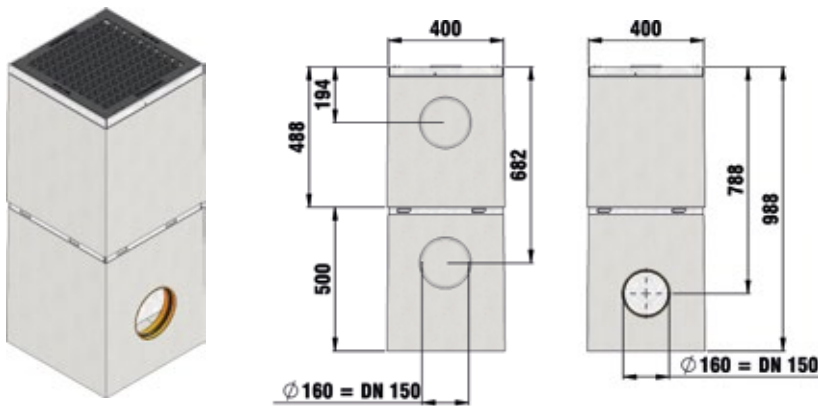
FASERFIX®POINT KS 40/40

FASERFIX®POINT KS 40/40, Point drainage, **class E 600**, complete with PVC-U socket and sealing DN/OD 160, **foul air trap and PE mud bucket**

One piece with GUGI-Ductile iron mesh grating MW 15/25 mm, black



Two piece with GUGI-Ductile iron mesh grating MW 15/25 mm, black



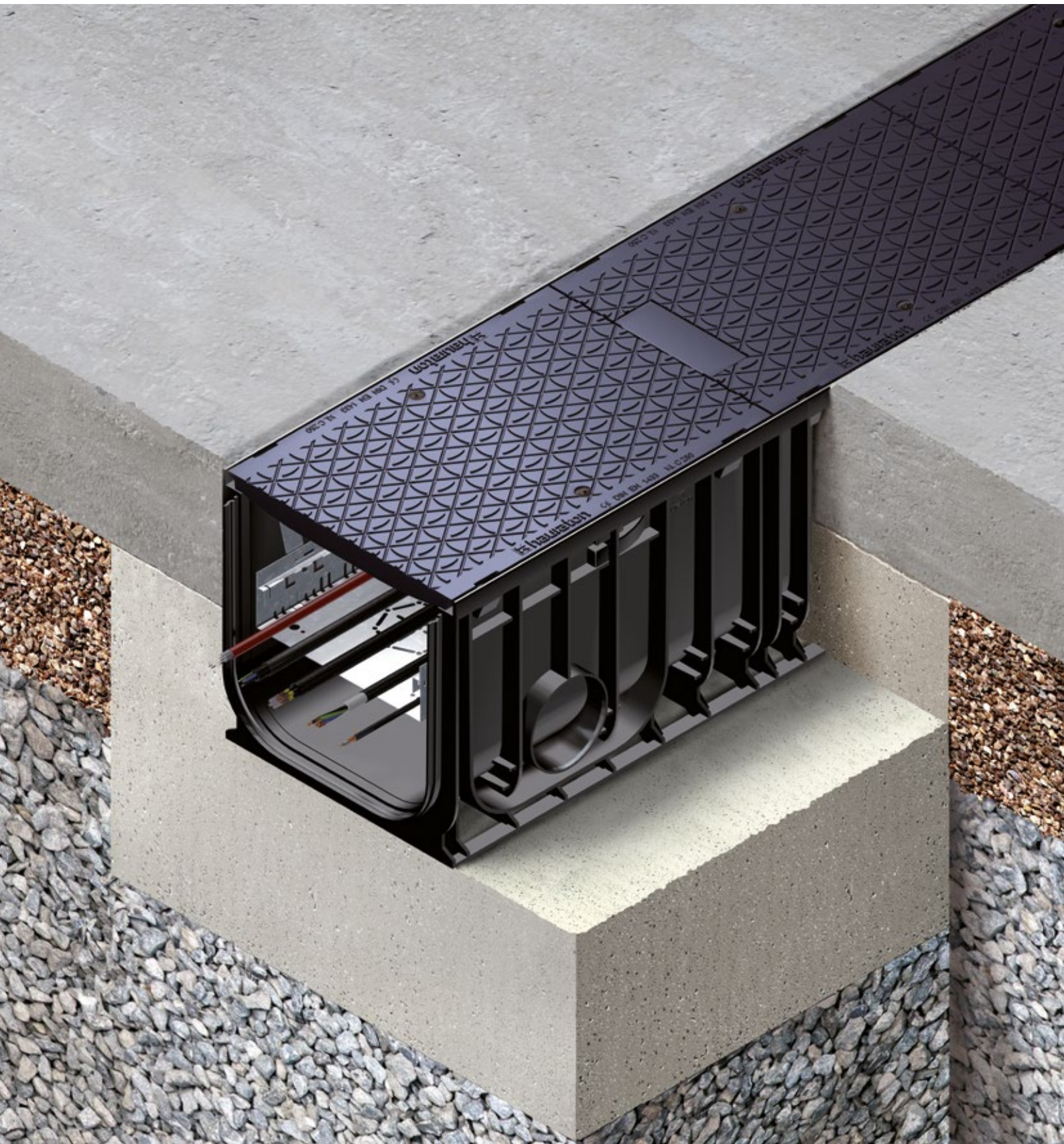
	Length mm	Width mm	Height mm	Weight kg	Item No.
One piece with GUGI-Ductile iron mesh grating MW 15/25 mm, black	400	400	500	93,10	4700
Two piece with GUGI-Ductile iron mesh grating MW 15/25 mm, black	400	400	988	156,10	4800
One piece with GUGI-Ductile iron mesh grating MW 15/25 mm, galvanised	400	400	500	94,00	4720
Two piece with GUGI-Ductile iron mesh grating MW 15/25 mm, galvanised	400	400	988	155,00	4820
Extension part	400	400	500	63,50	4825

Point drainage tested according to EN 1433.

For FASERFIX POINT the same installation advices as for FASERFIX SUPER Channels are analogously valid. The gratings are locked with boltless-locking system SIDE-LOCK.

SERVICE CHANNEL

Accessible, floor-mounted system for temporary or permanent organisation and management of supply and information cables.





SERVICE CHANNEL

Accessible, floor-mounted system for temporary or permanent organisation and management of supply and information cables.

1 Requirements

Ground installed SERVICE CHANNELS have to:

- ensure a temporary or permanent operation
- withstand daily changing requirements under extreme loads
- offer a quick, easy and flexible installation
- allow quick access everywhere
- make the cable routing invisible

2 Application areas

- exhibition halls
- production workshops
- stadiums

3 Solutions

The SERVICE CHANNEL System is a tried-and-tested solution for a variety of applications. It offers:

- channel systems made of high-quality materials such as fibre reinforced concrete or 100% recycled composite for maximum stability and security
- a simple installation with various connection possibilities like T- and corner-connections for cost savings and flexibility
- inside cable routing for an attractive overall appearance with a large internal cross-section and optionally available cable-routing system



Henryk-Reyman-Stadium in Krakow, Poland



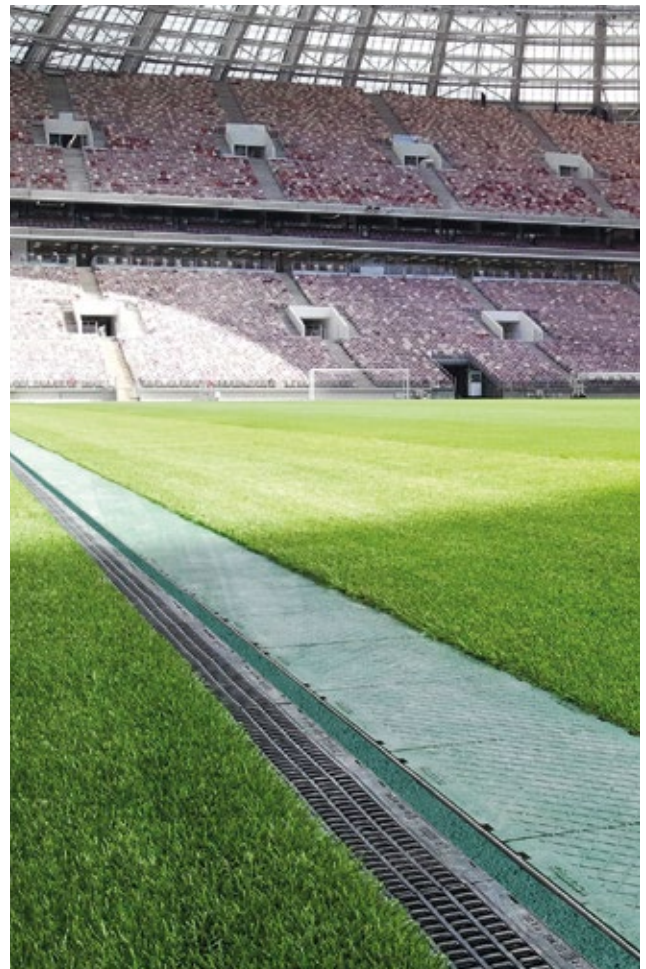
Warsaw Spire Office Building in Warsaw, Poland



Volvo prototype factory in Wrocław, Poland



Production Workshop RULMECA in Aschersleben, Germany



Luschniki-Stadium in Moscow, Russia

FASERFIX®SUPER
FASERFIX®KS
FASERFIX®BIG SLG
FASERFIX®BIG BL
RECYFIX®PLUS X
RECYFIX®NC
RECYFIX®MONOTEC
RECYFIX®HICAP®F
FASERFIX®POINT KS
SERVICE CHANNEL

YOUR BENEFITS WITH SERVICE CHANNEL FASERFIX KS

HIGH-PERFORMANCE ANGLE HOUSING & BOLTLESS LOCKING SYSTEM SIDE-LOCK

- 20 mm x 20 mm angle housing and inlaying covers
- extremely stable connection between angle housing and concrete
- 8 fixing points for the cover
- additional protection against horizontal movement
- 90% time savings when fixing the cover
- Insertion of the cover without special tools, one screwdriver is sufficient

= **QUALITY ASSURED /
COST SAVINGS**



HIGH STABILITY

- maximum lateral stability
- extra thick wall thickness compared to many competitor products, for additional safety in extreme situations
- installation for asphalt surfaces up to class E 600, without concrete stretcher

= **PERFORMANCE ASSURED /
DURABILITY**



HIGH-GRADE MATERIAL

- "Made in Germany"
- maximum stability due to fibre-reinforced concrete (polypropylene fibres) with low weight
- strong adhesion on foundation concrete (same coefficient)
- installation without cover possible
- fire resistance class A1 (non-flammable) according to DIN 4102

= **QUALITY ASSURED /
DURABILITY**



UNIQUE DUCTILE IRON GRATINGS WITH NUMEROUS COMBINATION OPTIONS

- high-quality KTL-coating
- anti-slip feature
- extremely durable
- easy opening and closing of the cover due to boltless locking system **SIDE-LOCK**
- various covers: closed, with opening for cable outlet

= **DESIGN FLEXIBILITY / PERFORMANCE ASSURED**



OPTIONAL BLIND COVER FOR DUCTILE IRON GRATING WITH CABLE OPENING

- KTL-coated
- easy opening and closing of the cable inlet and outlet

= **DESIGN FLEXIBILITY**



LARGE, CLEAR CROSS-SECTION

- storage space for cables and wires
- optional on two levels (see cable routing system accessories)

= **DESIGN FLEXIBILITY**



OPTIONAL CABLE-ROUTING SYSTEM

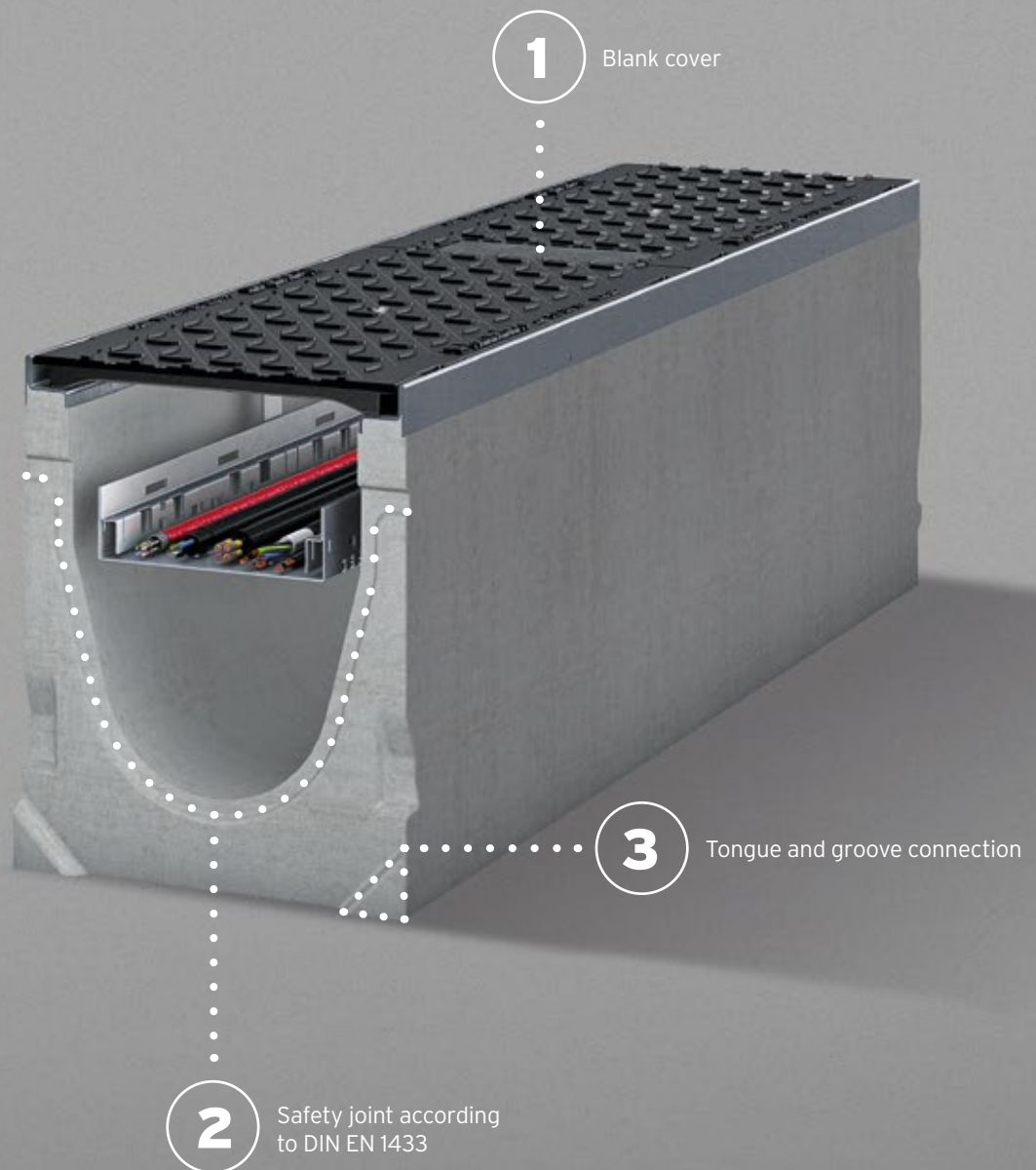
- for guiding cables and wires in an elevated position (see cable routing system accessories)
- easier laying and accessibility of cables and lines

= **DESIGN FLEXIBILITY**



IDEAL FOR ...

applications for laying cables and lines in the ground which can be easily accessed at all times and the surfaces of which are driven on with heavy wheel loads.



SERVICE CHANNEL FASERFIX KS

Accessible, floor-mounted system for temporary or permanent organisation and management of supply and information cables.

SERVICE CHANNEL FASERFIX KS channels meet the requirements of DIN EN 1433 and are suitable for the following load categories:



Category A 15,
Load class 15 kN



Category B 125,
Load class 125 kN



Category C 250,
Load class 250 kN



Category D 400,
Load class 400 kN



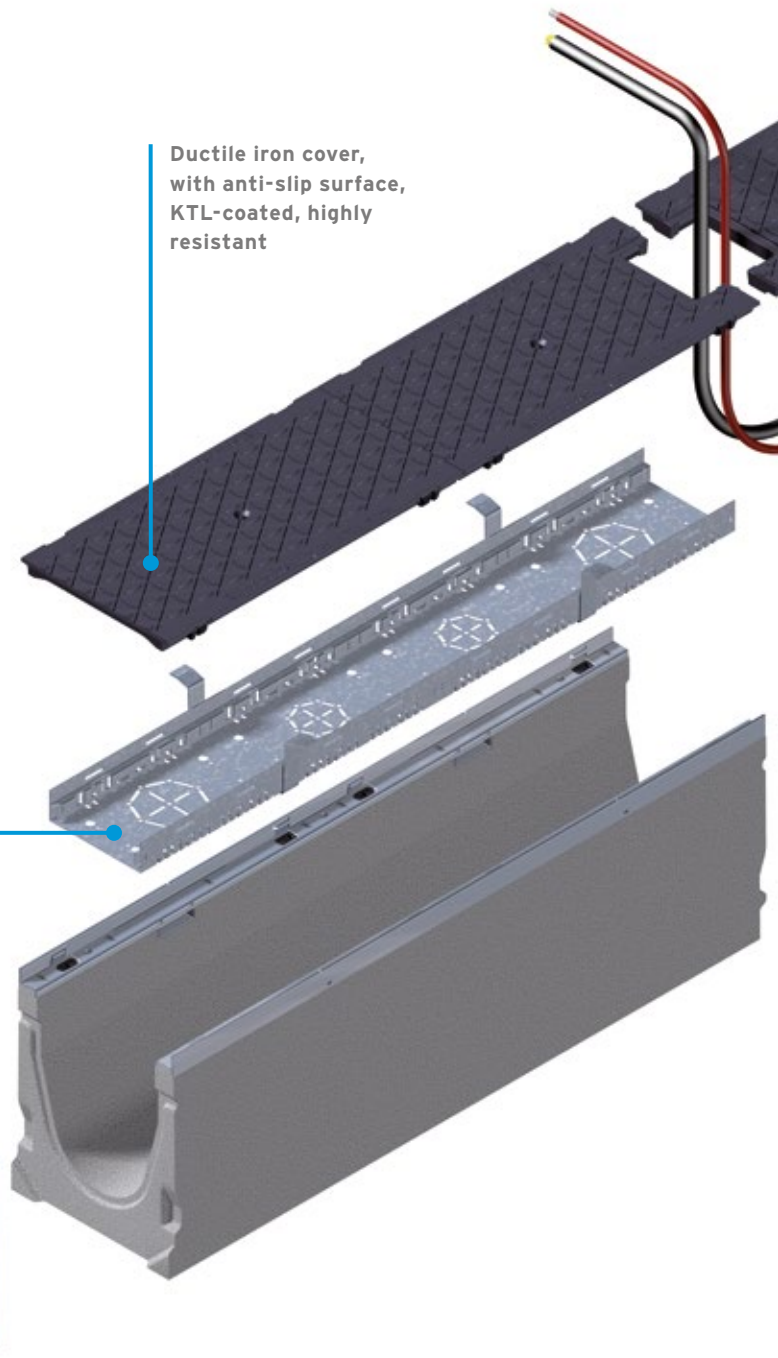
Category E 600,
Load class 600 kN

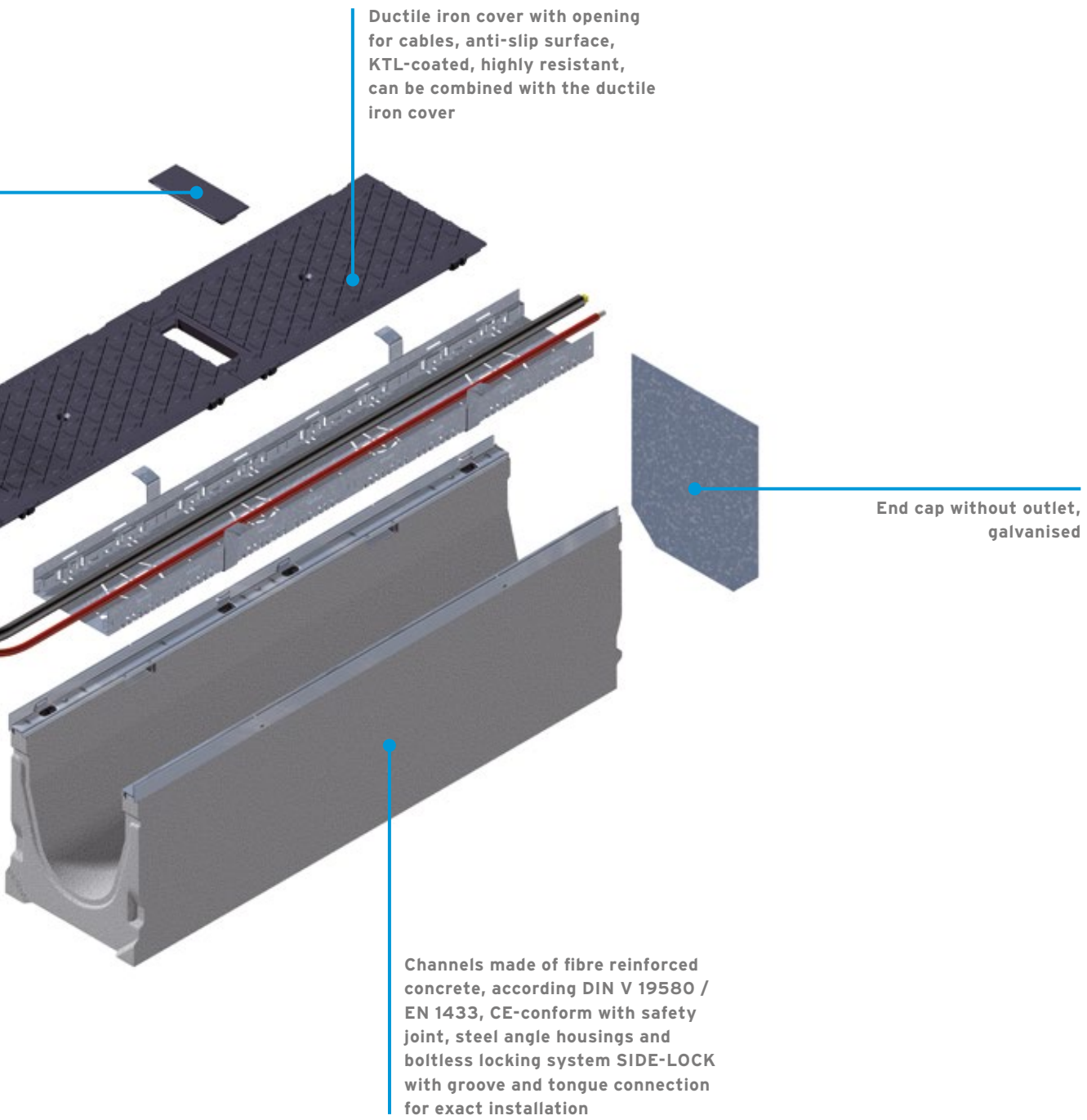
Cover for cable opening
for ductile iron cover,
black, KTL-coated

Ductile iron cover,
with anti-slip surface,
KTL-coated, highly
resistant

Cable routing system
galvanised for laying
various media and cables

End cap without outlet,
galvanised





FASERFIX®SUPER
FASERFIX®KS
FASERFIX®BIG SLG
FASERFIX®BIG BL
RECYFIX®PLUS X
RECYFIX®NC
RECYFIX®MONOTEC
RECYFIX®HICAP®F
FASERFIX®POINT KS
SERVICE CHANNEL

YOUR BENEFITS WITH SERVICE CHANNEL RECYFIX PRO

ANGLE HOUSINGS

- recycled composite angle housing (PP) according to DIN 19580
- recesses for longitudinal thrust protection
- inlaying gratings

= **QUALITY ASSURED**



LOW WEIGHT ENSURES EASY HANDLING ON SITE

- considerably lighter than channels made of polymer/resin concrete
- easy transport and installation

= **COST SAVINGS**



HIGH-GRADE MATERIALS

- **RECYFIX** - robust and breakproof
- elastic and particularly resistant material
- withstands high traffic loads and temperature differences in daily use
- 100 % recycled channel body (and 100 % recyclable)
- 100 % environmentally friendly
- non-conductive
- the channel body made of PP can be cut, drilled and machined on site without any problems

= **PERFORMANCE ASSURED**



UNIQUE DUCTILE IRON GRATINGS WITH VARIOUS COMBINATION OPTIONS

- high-quality KTL-coating
- anti-slip feature
- extremely durable
- various covers: closed, with opening for cable outlet

= **DESIGN FLEXIBILITY / PERFORMANCE ASSURED**



OPTIONAL BLIND COVER FOR DUCTILE IRON GRATING WITH CABLE OPENING

- KTL-coated
- easy opening and closing of the cable inlet and outlet

= **DESIGN FLEXIBILITY**



OPTIONAL CABLE ROUTING SYSTEM

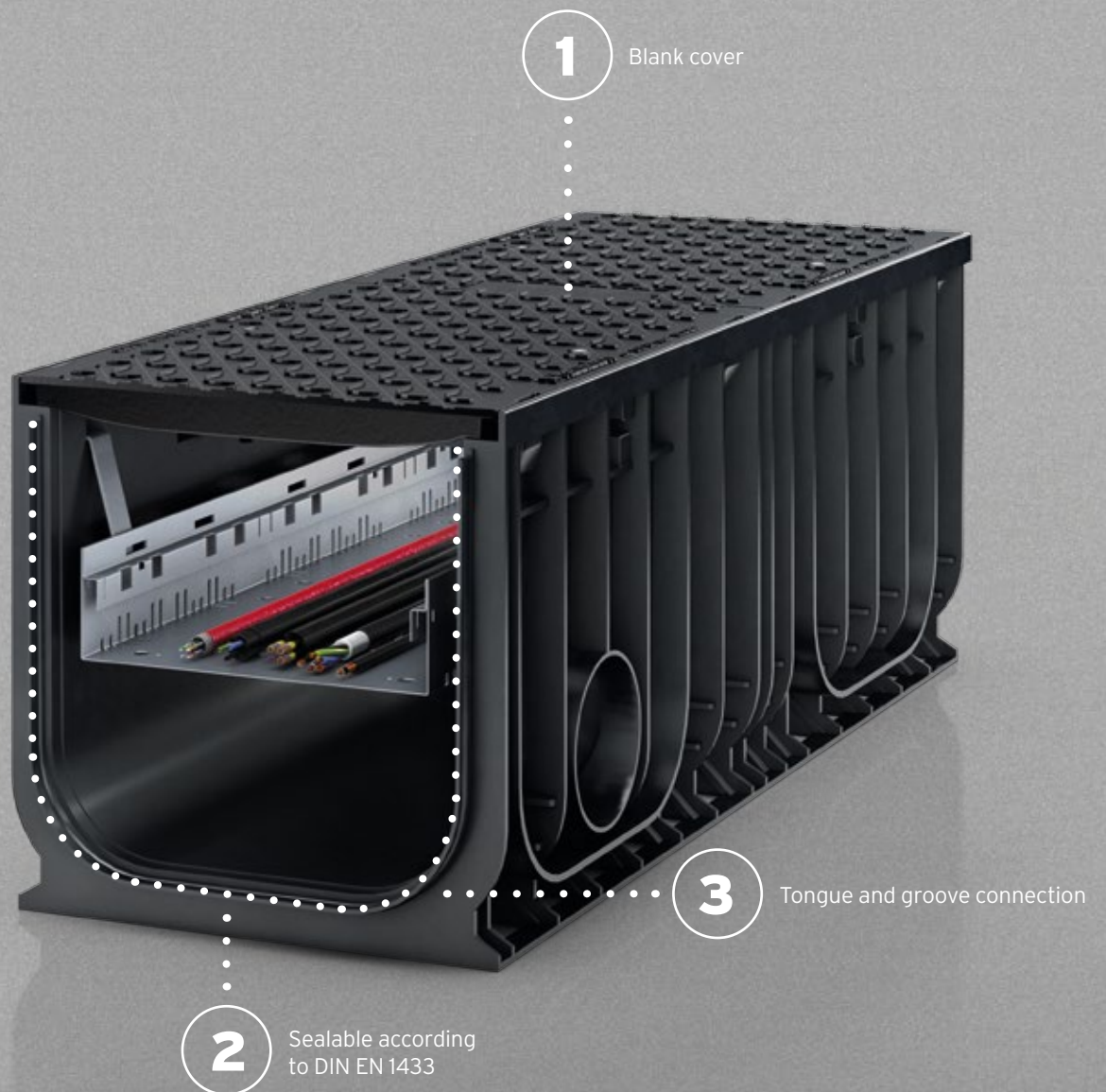
- for guiding cables and wires in an elevated position (see cable routing system accessories)
- easier laying and accessibility of cables and lines

= **DESIGN FLEXIBILITY**



IDEAL FOR ...

ground installed cable routing applications which are easily accessible at all times.



100 % corrosion-free

SERVICE CHANNEL RECYFIX PRO

Accessible, floor-mounted system for temporary or permanent organisation and management of supply and information cables.

SERVICE CHANNEL RECYFIX PRO channels meet the requirements of DIN EN 1433 and are suitable for the following load categories:



Category A 15,
Load class 15 kN



Category B 125,
Load class 125 kN



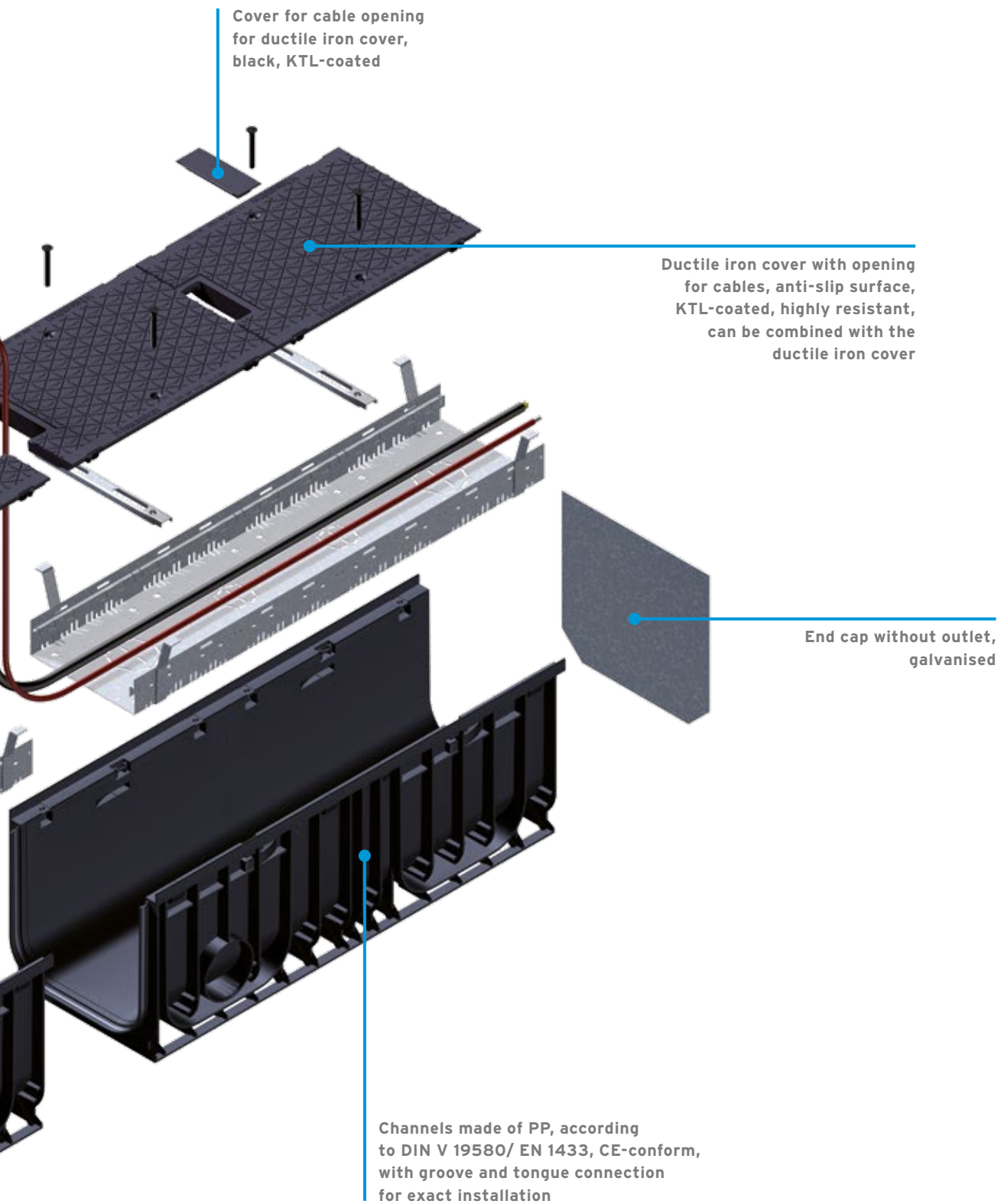
Category C 250,
Load class 250 kN

Ductile iron cover,
with anti-slip surface,
KTL-coated, highly
resistant

Cable routing system
galvanised for laying
various media and cables

End cap without outlet,
galvanised



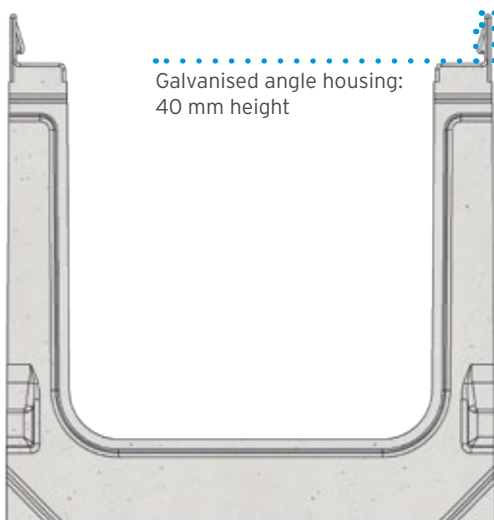


FASERFIX®SUPER
FASERFIX®KS
FASERFIX®BIG SLG
FASERFIX®BIG BL
RECYFIX®PLUS X
RECYFIX®NC
RECYFIX®MONOTEC
RECYFIX®HICAP®F
FASERFIX®POINT KS
SERVICE CHANNEL

STRONG. LARGE. RELIABLE.

Ideal for:

Floor-mounted cable routing applications which can be easily accessed at all times and used as heavy-duty surfaces.



SERVICE CHANNEL FASERFIX SUPER

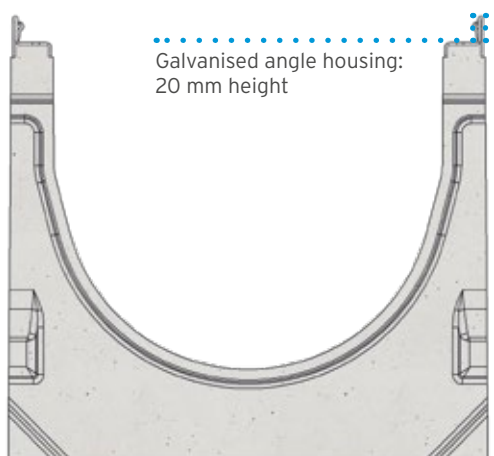
Made of fibre-reinforced concrete with 40 mm angle housing

Nominal width:

- NW 150
- NW 200
- NW 300
- NW 400
- NW 500

Load class:

E 600; extreme load situations and high dynamic forces



SERVICE CHANNEL FASERFIX KS

Made of fibre-reinforced concrete with 20 mm angle housing

Nominal width:

- NW 100
- NW 150
- NW 200
- NW 300

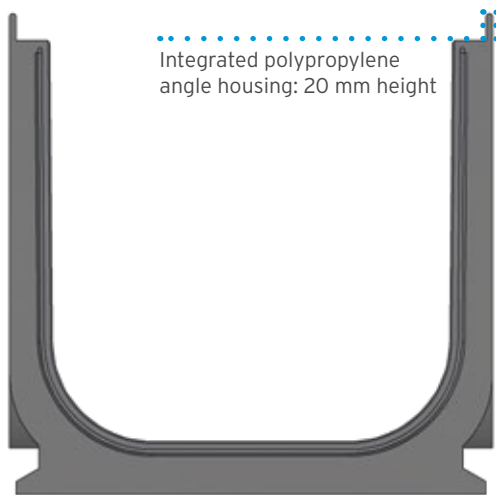
Load class:

E 600; extreme load situations
C 250; medium load situations with moderate traffic

RECYCLABLE.
LIGHT.
RELIABLE.

Ideal for:

Floor-mounted cable routing applications which are easily accessible at all times.



SERVICE CHANNEL RECYFIX PRO

Made of polypropylene with 20 mm integrated polypropylene angle housing

Nominal width:

- NW 200
- NW 300

Load class:

C 250; medium load situations with moderate traffic



DIN 19580 / EN 1433

The load classes are described in DIN 19580 / EN 1433 and standardised in classes A 15 to F 900. The specified values refer to the test load in kilonewtons (kN).

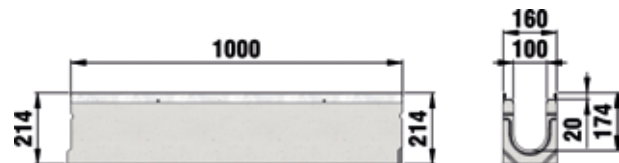
FASERFIX®SUPER
FASERFIX®KS
FASERFIX®BIG SLG
FASERFIX®BIG BL
RECYFIX®PLUS X
RECYFIX®NC
RECYFIX®MONOTEC
RECYFIX®HICAP®F
FASERFIX®POINT KS
SERVICE CHANNEL

SERVICE CHANNEL 100

Systems SERVICE CHANNELS

SERVICE CHANNEL FASERFIX®KS 100 made of fibre-reinforced concrete with 20 mm angle housing, **class E 600**

Type 010



Ductile iron solid cover, black, KTL-coated



End cap closed, galvanised, type 010



Installation aid NW 100 (2 pieces required) - due to security reasons no return can be made

	Length mm	Width mm	Height mm	Internal channel cross-sect. cm ²	Weight kg	Item No.
Type 010	1000	160	214	143	40,20	32049
Type 20	1000	160	274	206	49,00	32050
Ductile iron solid cover, black, KTL-coated	500	149	20	-	4,70	32051
End cap closed, galvanised, type 010	-	160	214	0,50	0,50	32052
End cap closed, galvanised, type 020	-	160	274	0,60	0,60	32053
Installation aid NW 100 (2 pieces required) - due to security reasons no return can be made	-	-	-	1,60	1,60	705

SERVICE CHANNEL 100

Accessories

Factory-made services



Cutting to length of NW 100



Mitre cuts NW 100 (price per cut, two cuts necessary)

	Length mm	Width mm	Height mm	Weight kg	Item No.
Cutting to length of NW 100	-	-	-	-	990
Mitre cuts NW 100 (price per cut, two cuts necessary)	-	-	-	-	995

FASERFIX®SUPER

FASERFIX®KS

FASERFIX®BIG SLG

FASERFIX®BIG BL

RECYFIX®PLUS X

RECYFIX®NC

RECYFIX®MONOTEC

RECYFIX®HICAP®F

FASERFIX®POINT KS

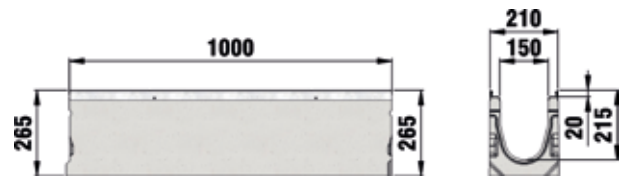
SERVICE CHANNEL

SERVICE CHANNEL 150

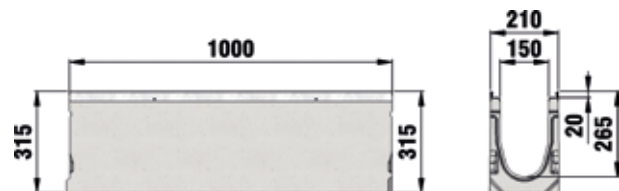
Systems SERVICE CHANNELS

SERVICE CHANNEL FASERFIX®KS 150 made of fibre-reinforced concrete with 20 mm angle housing, **class E 600**

Type 010



Type 020



Ductile iron solid cover, black, KTL

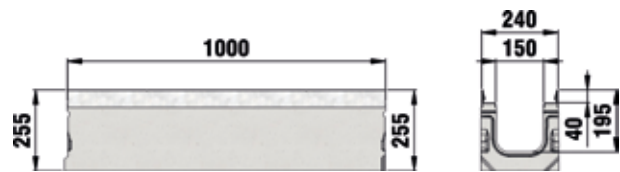
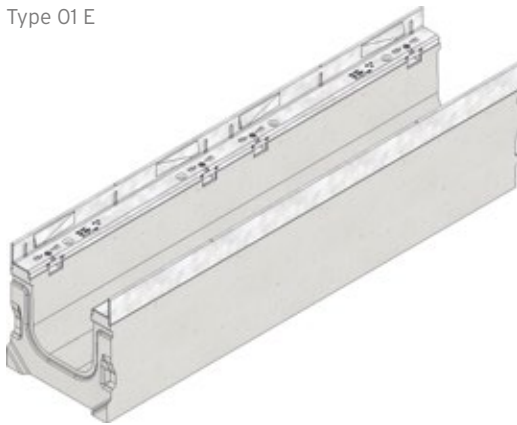
End cap closed, galvanised, type 010

	Length mm	Width mm	Height mm	Internal channel cross-sect. cm ²	Weight kg	Item No.
Type 010	1000	210	265	245	60,20	32054
Type 020	1000	210	315	312	69,60	32055
Ductile iron solid cover, black, KTL-coated	500	199	20	-	7,00	32059
End cap closed, galvanised, type 010	-	210	265	0,80	0,80	32061
End cap closed, galvanised, type 020	-	210	315	1,00	1,00	32062
Installation aid NW 150 (2 pieces required) - due to security reasons no return can be made	-	-	-	2,10	2,10	136018

SERVICE CHANNEL 150

SERVICE CHANNEL FASERFIX®SUPER 150 made of fibre-reinforced concrete with 40 mm angle housing, **class E 600**

Type 01 E



Ductile iron solid cover, black, with plastic caps



End cap closed, galvanised, type 01 E

	Length mm	Width mm	Height mm	Internal channel cross-sect. cm ²	Weight kg	Item No.
Type 01 E	1000	240	255	223	80,00	32056
Ductile iron solid cover, black, with plastic caps	500	229	40	-	10,70	32060
Ductile iron solid cover, black, KTL-coated, with plastic caps	500	229	40	-	10,70	32345
End cap closed, galvanised, type 01 E	-	240	255	0,90	0,90	32063
Installation aid NW 150 (2 pieces required) - due to security reasons no return can be made	-	-	-	2,10	2,10	136018

Accessories

Factory-made services



Cutting to length
of NW 150

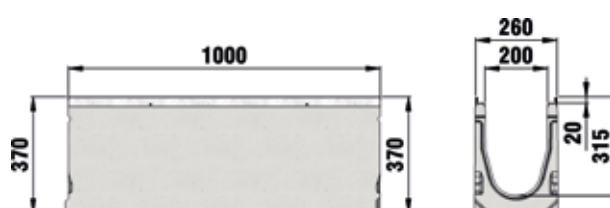
	Length mm	Width mm	Height mm	Weight kg	Item No.
Cutting to length of NW 150	-	-	-	-	991
Mitre cuts NW 150 (price per cut, two cuts necessary)	-	-	-	-	996

SERVICE CHANNEL 200

Systems SERVICE CHANNELS

SERVICE CHANNEL FASERFIX®KS 200 made of fibre-reinforced concrete with 20 mm angle housing, **class C 250 / E 600**

Type 020



Ductile iron solid cover, black, KTL-coated, class C 250



Ductile iron solid cover with opening for cables (128 mm x 49 mm), black, KTL-coated, class C 250



Ductile iron solid cover, black, KTL-coated, class E 600



Cover for cable opening for ductile iron solid cover, KTL-coated, black



End cap closed, galvanised, type 010



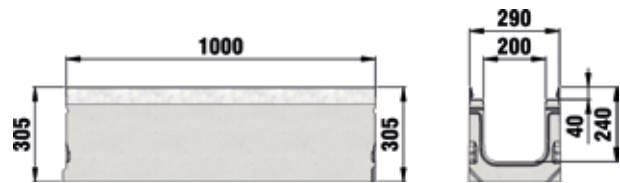
End cap closed, galvanised, type 020

	Length mm	Width mm	Height mm	Internal channel cross-sect. cm ²	Weight kg	Item No.
Type 010	1000	260	320	409	84,90	32066
Type 020	1000	260	370	509	91,60	32067
Ductile iron solid cover, black, KTL-coated, class C 250	500	249	20	-	7,40	32033
Ductile iron solid cover with opening for cables (128 mm x 49 mm), black, KTL-coated, class C 250	500	249	20	-	8,10	32037
Ductile iron solid cover, black, KTL-coated, class E 600	500	249	20	-	8,70	32072
Cover for cable opening for ductile iron solid cover, KTL-coated, black	152	59	20	-	-	32048
End cap closed, galvanised, type 010	-	260	320	1,20	1,20	32076
End cap closed, galvanised, type 020	-	260	370	1,50	1,50	32077
Installation aid NW 200 (2 pieces required) - due to security reasons no return can be made	-	-	-	2,60	2,60	136202

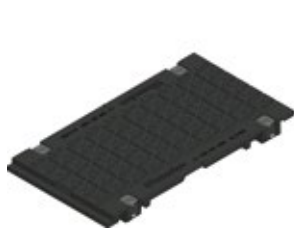
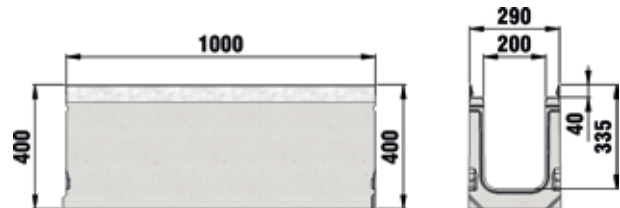
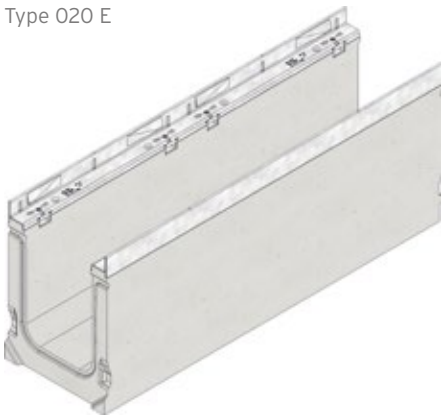
SERVICE CHANNEL 200

SERVICE CHANNEL FASERFIX®SUPER 200 made of fibre-reinforced concrete with 40 mm angle housing, **class E 600**

Type 01 E



Type 020 E



Ductile iron solid cover, black, with plastic caps



End cap closed, galvanised, type 010 E



End cap closed, galvanised, type 020 E

	Length mm	Width mm	Height mm	Internal channel cross-sect. cm ²	Weight kg	Item No.
Type 01 E	1000	290	305	386	104,50	32068
Type 010 E	1000	290	350	473	113,50	32069
Type 020 E	1000	290	400	568	124,50	32070
Ductile iron solid cover, black, with plastic caps	500	279	40	-	13,40	32073
Ductile iron solid cover, black, KTL-coated, with plastic caps	500	279	40	-	13,40	32348
End cap closed, galvanised, type 01 E	-	290	305	1,40	1,40	32078
End cap closed, galvanised, type 010 E	-	290	350	1,70	1,70	32079
End cap closed, galvanised, type 020 E	-	290	400	1,90	1,90	32080
Installation aid NW 200 (2 pieces required) - due to security reasons no return can be made	-	-	-	2,60	2,60	136202

FASERFIX®SUPER

FASERFIX®KS

FASERFIX®BIG SLG

FASERFIX®BIG BL

RECYFIX®PLUS X

RECYFIX®NC

RECYFIX®MONOTEC

RECYFIX®HICAP®F

FASERFIX®POINT KS

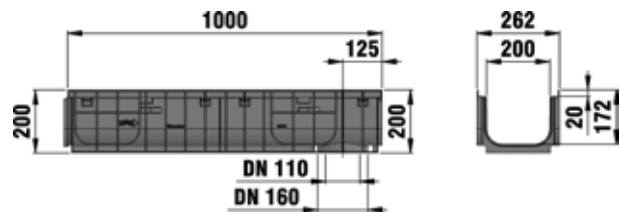
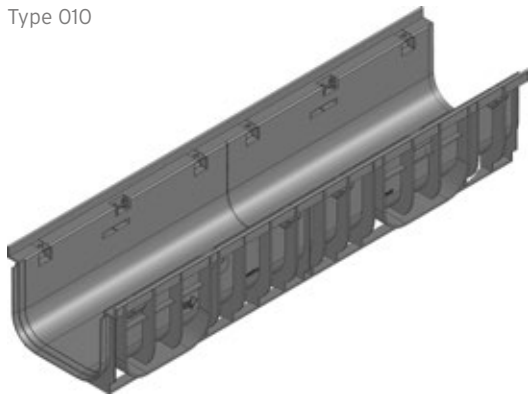
SERVICE CHANNEL

SERVICE CHANNEL 200

Systems SERVICE CHANNELS

SERVICE CHANNEL RECYFIX®PRO 200 made of polypropylene with 20 mm integrated polypropylene angle housing, **class C 250**

Type 010



Ductile iron solid cover, black, KTL-coated



Ductile iron solid cover with opening for cables (128 mm x 49 mm), black, KTL-coated



Cover for cable opening for ductile iron solid cover, KTL-coated, black



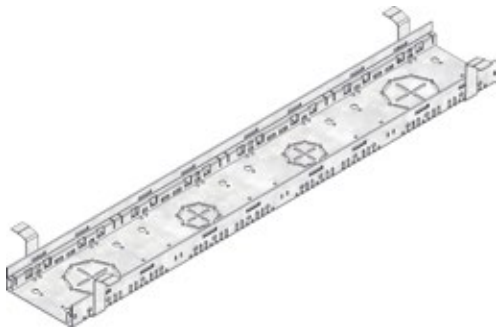
End cap with or without horizontal pipe outlet DN/OD 110, modified PP, type 010

	Length mm	Width mm	Height mm	Internal channel cross-sect. cm ²	Weight kg	Item No.
Type 010	1000	262	200	294	3,20	32071
Ductile iron solid cover, black, KTL-coated	500	249	20	-	8,40	32074
Ductile iron solid cover with opening for cables (128 mm x 49 mm), black, KTL-coated	500	249	20	-	8,10	32075
Cover for cable opening for ductile iron solid cover, KTL-coated, black	152	59	20	-	-	32048
End cap with or without horizontal pipe outlet DN/OD 110, modified PP, type 010	-	258	217	0,20	0,20	32081
Locking handle and screw	-	-	-	0,10	0,10	32082

SERVICE CHANNEL 200

Accessories

Cable routing system



Cable tray, galvanized, FASERFIX SUPER / RECYFIX PRO 200

	Length mm	Width mm	Height mm	Weight kg	Item No.
Cable tray, galvanized, SERVICE CHANNEL FASERFIX KS 200	-	-	-	2,70	32083
Cable tray, galvanized, FASERFIX SUPER / RECYFIX PRO 200	-	-	-	2,70	32084

Factory-made services



Cutting to length
of NW 200

	Length mm	Width mm	Height mm	Weight kg	Item No.
Cutting to length of NW 200	-	-	-	-	992
Mitre cuts NW 200 (price per cut, two cuts necessary)	-	-	-	-	997

FASERFIX®SUPER

FASERFIX®KS

FASERFIX®BIG SLG

FASERFIX®BIG BL

RECYFIX®PLUS X

RECYFIX®NC

RECYFIX®MONOTEC

RECYFIX®HICAP®F

FASERFIX®POINT KS

SERVICE CHANNEL

SERVICE CHANNEL 300

Systems SERVICE CHANNELS

SERVICE CHANNEL FASERFIX®KS 300 made of fibre-reinforced concrete with 20 mm angle housing, **class C 250**

Type 010



Ductile iron solid cover, black, KTL-coated



Ductile iron solid cover with opening for cables (128 mm x 49 mm), black, KTL-coated



Cover for cable opening for ductile iron solid cover, KTL-coated, black



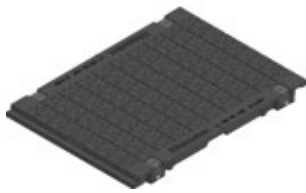
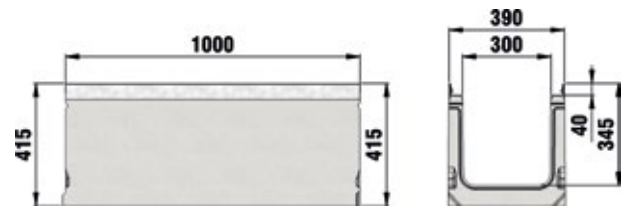
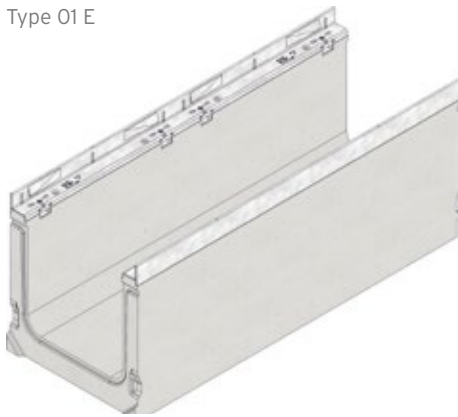
End cap closed, galvanised, type 010

	Length mm	Width mm	Height mm	Internal channel cross-sect. cm ²	Weight kg	Item No.
Type 010	1000	360	340	634	117,20	32085
Ductile iron solid cover, black, KTL-coated	500	349	20	-	11,80	32041
Ductile iron solid cover with opening for cables (128 mm x 49 mm), black, KTL-coated	500	349	20	-	14,10	32045
Cover for cable opening for ductile iron solid cover, KTL-coated, black	152	59	20	-	-	32048
End cap closed, galvanised, type 010	-	360	340	1,90	1,90	32091
Installation aid NW 300 (2 pieces required) - due to security reasons no return can be made	-	-	-	3,70	3,70	136242

SERVICE CHANNEL 300

SERVICE CHANNEL FASERFIX®SUPER 300 made of fibre-reinforced concrete with 40 mm angle housing, **class E 600**

Type 01 E



Ductile iron solid cover, black, with plastic caps



Ductile iron solid cover, black, KTL-coated, with plastic caps



End cap closed, type 01 E

	Length mm	Width mm	Height mm	Internal channel cross-sect. cm ²	Weight kg	Item No.
Type 01 E	1000	390	415	900	133,70	32086
Ductile iron solid cover, black, with plastic caps	500	377	40	-	21,50	32088
Ductile iron solid cover, black, KTL-coated, with plastic caps	500	377	40	-	21,50	32346
End cap closed, type 01 E	-	390	415	2,70	2,70	32092
Installation aid NW 300 (2 pieces required) - due to security reasons no return can be made	-	-	-	3,70	3,70	136242

FASERFIX®SUPER

FASERFIX®KS

FASERFIX®BIG SLG

FASERFIX®BIG BL

RECYFIX®PLUS X

RECYFIX®NC

RECYFIX®MONOTEC

RECYFIX®HICAP®F

FASERFIX®POINT KS

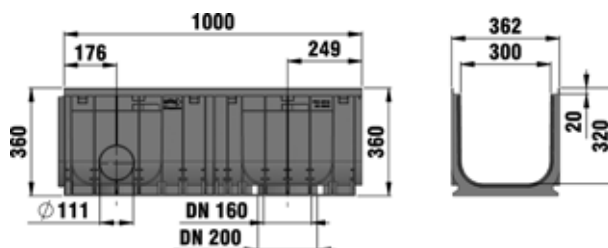
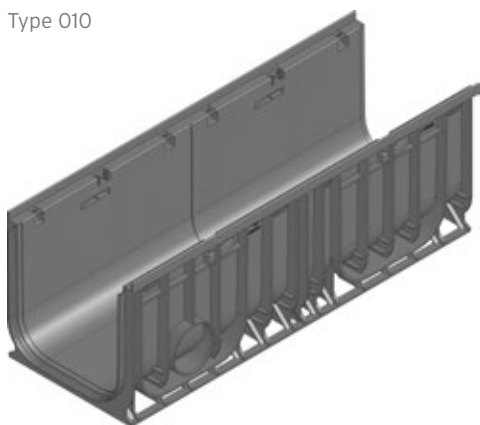
SERVICE CHANNEL

SERVICE CHANNEL 300

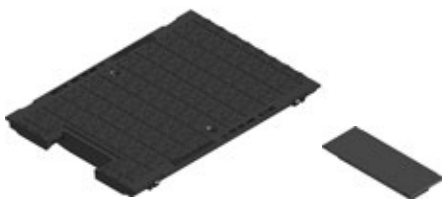
Systems SERVICE CHANNELS

SERVICE CHANNEL RECYFIX®PRO 300 made of polypropylene with 20 mm integrated polypropylene angle housing, **class C 250**

Type 010



Ductile iron solid cover, black, KTL-coated



Ductile iron solid cover with opening for cables (128 mm x 49 mm), black, KTL-coated



Cover for cable opening for ductile iron solid cover, KTL-coated, black



Locking handle and screw



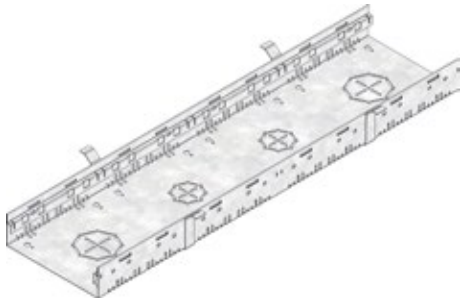
End cap closed, galvanised, type 010

	Length mm	Width mm	Height mm	Internal channel cross-sect. cm ²	Weight kg	Item No.
Type 010	1000	362	360	873	7,60	32087
Ductile iron solid cover, black, KTL-coated	500	349	20	-	11,80	32089
Ductile iron solid cover with opening for cables (128 mm x 49 mm), black, KTL-coated	500	349	20	-	14,10	32090
Cover for cable opening for ductile iron solid cover, KTL-coated, black	152	59	20	-	-	32048
Locking handle and screw	-	-	-	0,30	0,30	32094
End cap closed, galvanised, type 010	-	360	360	1,90	1,90	32093

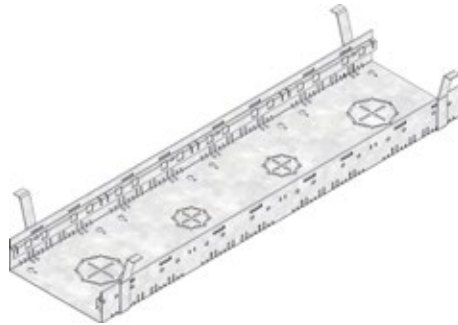
SERVICE CHANNEL 300

Accessories

Cable routing system



Cable tray, galvanised, SERVICE CHANNEL FASERFIX KS 300



Cable tray, galvanised, SERVICE CHANNEL FASERFIX SUPER / RECYFIX PRO 300

	Length mm	Width mm	Height mm	Weight kg	Item No.
Cable tray, galvanised, SERVICE CHANNEL FASERFIX KS 300	-	-	-	3,20	32095
Cable tray, galvanised, SERVICE CHANNEL FASERFIX SUPER / RECYFIX PRO 300	-	-	-	4,20	32096

Factory-made services



Cutting to length of NW 300



Mitre cuts NW 300 (price per cut, two cuts necessary)

	Length mm	Width mm	Height mm	Weight kg	Item No.
Cutting to length of NW 300	-	-	-	-	993
Mitre cuts NW 300 (price per cut, two cuts necessary)	-	-	-	-	998

FASERFIX®SUPER

FASERFIX®KS

FASERFIX®BIG SLG

FASERFIX®BIG BL

RECYFIX®PLUS X

RECYFIX®NC

RECYFIX®MONOTEC

RECYFIX®HICAP®F

FASERFIX®POINT KS

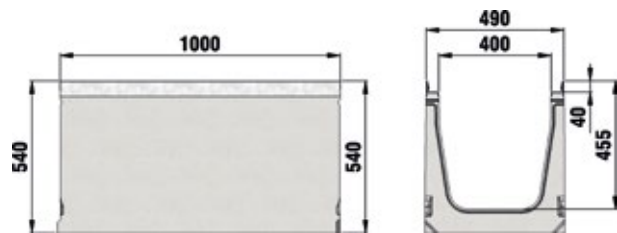
SERVICE CHANNEL

SERVICE CHANNEL 400

Systems SERVICE CHANNELS

SERVICE CHANNEL FASERFIX®SUPER 400 made of fibre-reinforced concrete with 40 mm angle housing, **class E 600**

Type 01 E



Ductile iron solid cover, black, with plastic caps



End cap closed, galvanised, type 01



Installation aid NW 400 (2 pieces required) - due to security reasons no return can be made

	Length mm	Width mm	Height mm	Internal channel cross-sect. cm ²	Weight kg	Item No.
Type 01 E	1000	490	540	1498	255,00	32097
Ductile iron solid cover, black, with plastic caps	500	477	40	-	32,00	32098
End cap closed, galvanised, type 01	-	490	540	4,90	4,90	32099
Installation aid NW 400 (2 pieces required) - due to security reasons no return can be made	-	-	-	5,20	5,20	136304

SERVICE CHANNEL 400

Accessories

Factory-made services



Cutting to length
of NW 400

	Length mm	Width mm	Height mm	Weight kg	Item No.
Cutting to length of NW 400	-	-	-	-	985
Mitre cuts NW 400 (price per cut, two cuts necessary)	-	-	-	0,00	949

FASERFIX®SUPER

FASERFIX®KS

FASERFIX®BIG SLG

FASERFIX®BIG BL

RECYFIX®PLUS X

RECYFIX®NC

RECYFIX®MONOTEC

RECYFIX®HICAP®F

FASERFIX®POINT KS

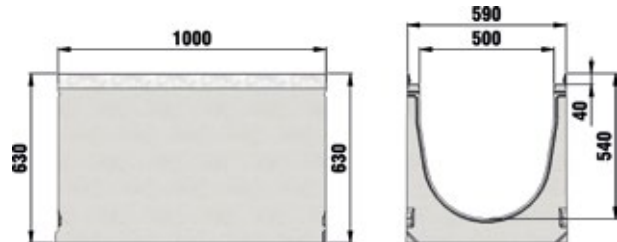
SERVICE CHANNEL

SERVICE CHANNEL 500

Systems SERVICE CHANNELS

SERVICE CHANNEL FASERFIX®SUPER 500 made of fibre-reinforced concrete with 40 mm angle housing, **class E 600**

Type 01



Ductile iron solid cover, black, with plastic caps



End cap closed, galvanised



Installation aid NW 500 (2 pieces required) - due to security reasons no return can be made

	Length mm	Width mm	Height mm	Internal channel cross-sect. cm ²	Weight kg	Item No.
Type 01	1000	590	630	-	307,50	32101
Ductile iron solid cover, black, with plastic caps	500	577	40	-	42,00	32102
Ductile iron solid cover, black, KTL-coated, with plastic caps	500	577	40	-	42,00	32347
End cap closed, galvanised	-	590	630	6,80	6,80	32103
Installation aid NW 500 (2 pieces required) - due to security reasons no return can be made	-	-	-	6,50	6,50	136366

SERVICE CHANNEL 500

Accessories

Factory-made services



Cutting to length
of NW 500

	Length mm	Width mm	Height mm	Weight kg	Item No.
Cutting to length of NW 500	-	-	-	-	989
Mitre cuts NW 500 (price per cut, two cuts necessary)	-	-	-	0,00	959

FASERFIX®SUPER

FASERFIX®KS

FASERFIX®BIG SLG

FASERFIX®BIG BL

RECYFIX®PLUS X

RECYFIX®NC

RECYFIX®MONOTEC

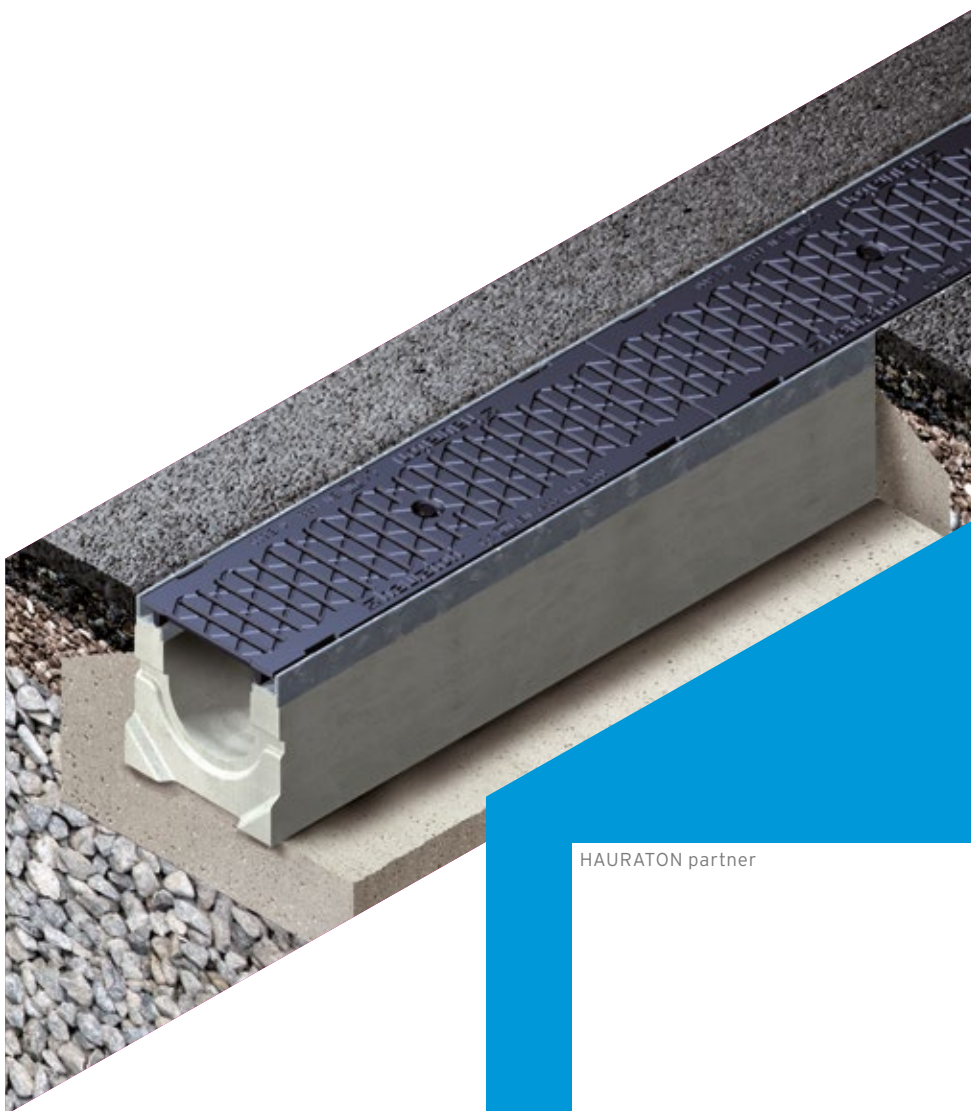
RECYFIX®HICAP®F

FASERFIX®POINT KS

SERVICE CHANNEL



Tel.: +49 7222 958-0
export@hauraton.com • www.hauraton.com
HAURATON GmbH & Co. KG • Werkstraße 13 • 76437 Rastatt • Germany



HAURATON partner

10/2020 | Printed in Germany
All drawings, measurements and weights
are noncommittal! We reserve the right to
do technical changes for improvement
EN 001-05-1020